

200CENT SQUARE

FIXED TRIM RECESSED

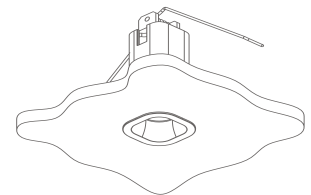
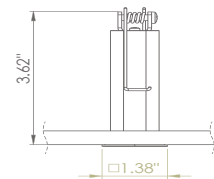
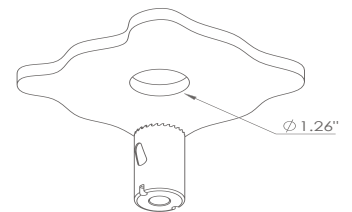
Tiny, powerful, exceptional color? It's possible with the 200Cent series. At just 1.02" (26 mm), the square aperture is the same size as a 2 Euro coin, hence its name. Available in a vast array of options (fixed, adjustable, trimless, trimmed, pendant) the 200Cent series has a fixture for every application.

TECHNICAL DATA

Wattage / Input	3W (1050mA), 5.9W (700mA), 6.2W (250mA), 7.1W (600mA - only comes in 2700K & 3000K)
Power Supply	Remote, not included. See page 2.
Construction	Body: Aluminum
CCT	2200K, 2400K (only available on the 6.2W version), 2700K, 3000K, 4000K
CRI	>92
Delivered Lumens	212 lm (3W, 3000K, 12°) 438 lm (5.9W, 3000K, 24°) 562 lm (6.2W, 3000K, 36°)
Luminaire Efficacy	71 lm/W (3W) 74 lm/W (5.9W) 91 lm/W (6.2W)
Optics	12° (3W version) 24° (5.9W version) 36° (6.2W version)
Finishes	2 Standard. See below and page 3.
Cut-Out Dimensions	Ø1.26" x 3.74" h
Fixture Dimensions	1.38" w x 1.38" l x 3.62" h
Aperture	Ø1.02"
LED Source	1 A+ LED
Color Consistency	2-Step MacAdam
IP Rating	IP54



Ceiling Cut-Out: Ø1.26" x 3.74" h
Fixture Dimensions



ORDERING INFORMATION

Example: 526 29 531 200 WHITE. Accessories / Power Supplies ordered separately.

Model No.	CCT	Finish
526 27 (3W - 250LM)	531 - 2200K (not on 7.1W)	200 BLACK - Black
526 28 (5.9W - 500LM)	2400K - 6.2W version	200 WHITE - White
526 29 (6.2W - 750LM)	931 - 2700K	
526 26 (7.1W - 1000LM)	831 - 3000K	
(1000LM version only available in 2700K & 3000K)	731 - 4000K (not on 7.1W)	

Job Name/Date:

Fixture Type Designation:

SUGGESTED POWER SUPPLIES

1050mA - 3W version (250LM)

Part Number	Description	Input/Output	# of Fixtures
PPLT00466-P	0-10V Dimming to 1.0%	120-277VAC to 1050mA, 10W Class 2	1-2
PPLT00465-P	0-10V Dimming to 1.0%	120-277VAC to 1050mA, 20W Class 2	1-6
PPLT00480-P	0-10V Dimming to 1.0%	120-277VAC to 1050mA, 30W Class 2	1-10
PPLT00309-P	0-10V Dimming to 1.0%	120-277VAC to 1050mA, 50W Class 2	1-16
PPLT00538-P	0-10V Dimming to 0.1% (4 channels)	120-277VAC to 1050mA, 100W Class 2	1-8 (1-32)

700mA - 5.9W version (500LM)

Part Number	Description	Input/Output	# of Fixtures
PPLT00470	Phase Dim (120V Only)	120-277VAC to 700mA, 14W Class 2	1-2
PPLT00465-P	0-10V Dimming to 1.0%	120-277VAC to 700mA, 20W Class 2	1-3
PPLT00261	Leading / Trailing-Edge Dimming to 10% (120V only)	120-277VAC to 700mA, 32W Class 2	3-5
PPLT00467-P	0-10V Dimming to 1.0%	120-277VAC to 700mA, 50W Class 2	1-6
PPLT00538-P	0-10V Dimming to 0.1% (4 channels)	120-277VAC to 700mA, 100W Class 2	1-4 (1-16)

Suggested Lutron Compatible - 700mA - 5.9W version (500LM)

Part Number	Option	Lutron SKU	Dim Range	Description	Input/Output	# of Fixtures
PPLT00515	L3DAE / L3DA3W	L3DA	100%-1%	Hi-Lume™ 1% EcoSystem™ or 1% 3-Wire LED Driv.	120-277VAC to 700mA, 14W, Class 2	1-2
PPLT00517	L3DAE / L3DA3W	L3DA	100%-1%	Hi-Lume™ 1% EcoSystem™ or 1% 3-Wire LED Driv.	120-277VAC to 700mA, 27W, Class 2	2-4
PPLT00181	L3DAE / L3DA3W	L3DA	100%-1%	Hi-Lume™ 1% EcoSystem™ or 1% 3-Wire LED Driv.	120-277VAC to 700mA, 38W, Class 2	4-5

250mA - 6.2W version (750LM)

Part Number	Description	Input/Output	# of Fixtures
PPLT00466-P	0-10V Dimming to 1.0%	120-277VAC to 250mA, 10W Class 2	1-1
PPLT00290	Leading / Trailing Edge Dimming to 10% (120V Only)	120-277VAC to 250mA, 16W Class 2	1-1
PPLT00465-P	0-10V Dimming to 1.0%	120-277VAC to 250mA, 20W Class 2	1-2
PPLT00467-P	0-10V Dimming to 1.0%	120-277VAC to 250mA, 50W Class 2	1-2
PPLT00538-P	0-10V Dimming to 0.1% (4 channels)	120-277VAC to 250mA, 100W Class 2	1-2 (1-8)

600mA - 7.1W version (1000LM)

Part Number	Description	Input/Output	# of Fixtures
PPLT00466-P	0-10V Dimming to 1.0%	120-277VAC to 600mA, 10W Class 2, DAMP	1-1
PPLT00465-P	0-10V Dimming to 1.0%	120-277VAC to 600mA, 20W Class 2, DAMP	1-2
PPLT00308-P	0-10V Dimming to 0.1%	120-277VAC to 600mA, 30W Class 2, DAMP	1-4
PPLT00168-P	0-10V Dimming to 0.1%	120-277VAC to 600mA, 50W Class 2	1-6
PPLT00538-P	0-10V Dimming to 0.1% (4 channels)	120-277VAC to 600mA, 100W Class 2	1-3 (1-12)

For other power supply options consult factory.

Job Name/Date:

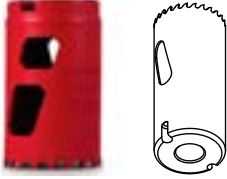
Fixture Type Designation:

200CENT SQUARE

FIXED TRIM RECESSED

ACCESSORIES - Installation

PPFT00080 - Ø1.26" Holesaw



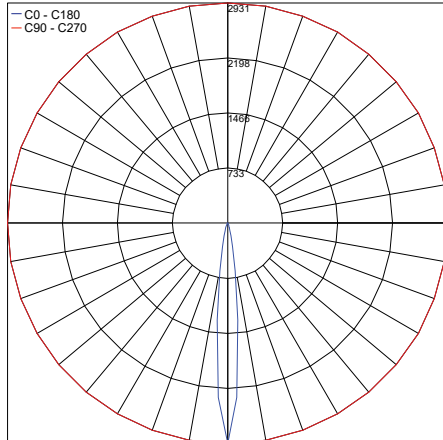
FINISHES



PHOTOMETRIC DATA

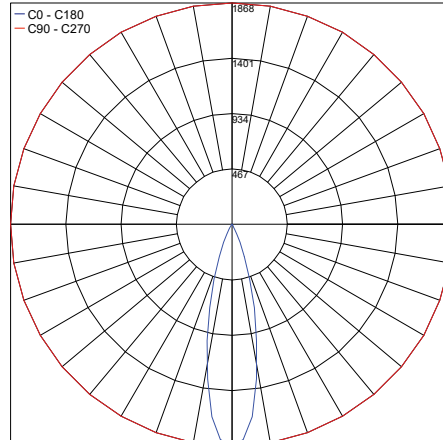
Note: All photometry is 3000K

Maximum Candela = 2931



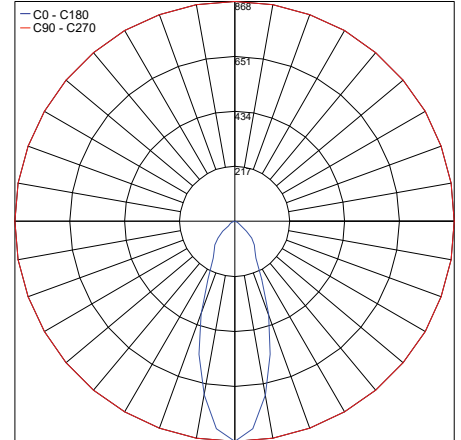
PHOTOMETRIC FILENAME : 200CENT FIX TRIM 3W 12".IES

Maximum Candela = 1867.5



PHOTOMETRIC FILENAME : 200CENT FIX TRIM 5.9W 24".IES

Maximum Candela = 867.7



PHOTOMETRIC FILENAME : 200CENT FIX TRIM 6.2W 36".IES

Job Name/Date:

Fixture Type Designation: