

# 200CENT SQUARE

## FIXED TRIMLESS RECESSED

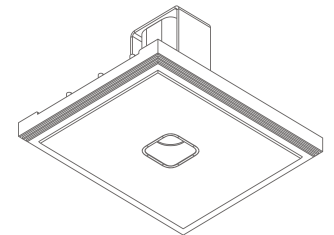
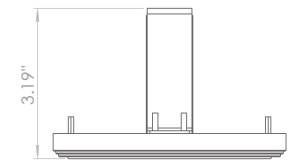
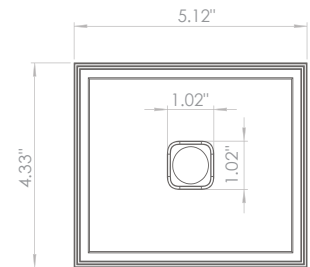
Tiny, powerful, exceptional color? It's possible with the 200Cent series. At just 1.02" (26 mm), the square aperture is the same size as a 2 Euro coin, hence its name. Available in a vast array of options (fixed, adjustable, trimless, trimmed, pendant) the 200Cent series has a fixture for every application.

### TECHNICAL DATA

<b>Wattage / Input</b>	3W (1050mA), 5.9W (700mA), 6.2W (250mA), 7.1W (600mA - only comes in 2700K & 3000K)
<b>Power Supply</b>	Remote, not included. See page 2.
<b>Construction</b>	Body: Aluminum
<b>CCT</b>	2200K, 2400K (only available on the 6.2W version), 2700K, 3000K, 4000K
<b>CRI</b>	>92
<b>Delivered Lumens</b>	212 lm (3W, 3000K, 12°) 438 lm (5.9W, 3000K, 24°) 562 lm (6.2W, 3000K, 36°)
<b>Luminaire Efficacy</b>	71 lm/W (3W) 74 lm/W (5.9W) 91 lm/W (6.2W)
<b>Optics</b>	12° (3W version) 24° (5.9W version) 36° (6.2W version)
<b>Finishes</b>	2 Standard. See below and page 3.
<b>Cut-Out Dimensions</b>	4.49" w x 5.28" l x 3.54" h
<b>Fixture Dimensions</b>	4.33" w x 5.12" l x 3.19" h
<b>Aperture</b>	1.02" x 1.02"
<b>LED Source</b>	1 A+ LED
<b>Color Consistency</b>	2-Step MacAdam
<b>IP Rating</b>	IP20



Ceiling Cut-Out: 4.49" x 5.28"  
Fixture Dimensions



### ORDERING INFORMATION

Example: 520 28 530 200 WHITE. Accessories / Power Supplies ordered separately.

Model No.	CCT	Finish
520 27 (3W - 250LM)	530 - 2200K (not on 7.1W)	200 BLACK - Black
520 28 (5.9W - 500LM)	2400K - 6.2W version	200 WHITE - White
520 29 (6.2W - 750LM)	930 - 2700K	
520 26 (7.1W - 1000LM)	830 - 3000K	
(1000LM version only available in 2700K & 3000K)	730 - 4000K (not on 7.1W)	

Job Name/Date:

Fixture Type Designation:

# 200CENT SQUARE

## FIXED TRIMLESS RECESSED

### SUGGESTED POWER SUPPLIES

1050mA - 3W version (250LM)

Part Number	Description	Input/Output	# of Fixtures
<a href="#">PPLT00466-P</a>	0-10V Dimming to 1.0%	120-277VAC to 1050mA, 10W Class 2	1-2
<a href="#">PPLT00465-P</a>	0-10V Dimming to 1.0%	120-277VAC to 1050mA, 20W Class 2	1-6
<a href="#">PPLT00480-P</a>	0-10V Dimming to 1.0%	120-277VAC to 1050mA, 30W Class 2	1-10
<a href="#">PPLT00309-P</a>	0-10V Dimming to 1.0%	120-277VAC to 1050mA, 50W Class 2	1-16
<a href="#">PPLT00538-P</a>	0-10V Dimming to 0.1% (4 channels)	120-277VAC to 1050mA, 100W Class 2	1-8 (1-32)

700mA - 5.9W version (500LM)

Part Number	Description	Input/Output	# of Fixtures
<a href="#">PPLT00470</a>	Phase Dim (120V Only)	120-277VAC to 700mA, 14W Class 2	1-2
<a href="#">PPLT00465-P</a>	0-10V Dimming to 1.0%	120-277VAC to 700mA, 20W Class 2	1-3
<a href="#">PPLT00261</a>	Leading / Trailing-Edge Dimming to 10% (120V only)	120-277VAC to 700mA, 32W Class 2	3-5
<a href="#">PPLT00467-P</a>	0-10V Dimming to 1.0%	120-277VAC to 700mA, 50W Class 2	1-6
<a href="#">PPLT00538-P</a>	0-10V Dimming to 0.1% (4 channels)	120-277VAC to 700mA, 100W Class 2	1-4 (1-16)

Lutron Compatible - 700mA - 5.9W version (500LM)

Part Number	Option	Lutron SKU	Dim Range	Description	Input/Output	# of Fixtures
<a href="#">PPLT00512</a>	LTEA2W	LTEA	100%-1%	Hi-Lume™ 1% 2-Wire LED Driv. (120V forward phase only)	120VAC to 700mA, 14W, Class 2	1-2
<a href="#">PPLT00515</a>	L3DAE / L3DA3W	L3DA	100%-1%	Hi-Lume™ 1% EcoSystem™ or 1% 3-Wire LED Driv.	120-277VAC to 700mA, 14W, Class 2	1-2
<a href="#">PPLT00517</a>	L3DAE / L3DA3W	L3DA	100%-1%	Hi-Lume™ 1% EcoSystem™ or 1% 3-Wire LED Driv.	120-277VAC to 700mA, 27W, Class 2	2-4
<a href="#">PPLT00278</a>	LTEA2W	LTEA	100%-1%	Hi-Lume™ 1% 2-Wire LED Driv. (120V forward phase only)	120VAC to 700mA, 27W, Class 2	2-4
<a href="#">PPLT00181</a>	L3DAE / L3DA3W	L3DA	100%-1%	Hi-Lume™ 1% EcoSystem™ or 1% 3-Wire LED Driv.	120-277VAC to 700mA, 38W, Class 2	4-5
<a href="#">PPLT00510</a>	LTEA2W	LTEA	100%-1%	Hi-Lume™ 1% 2-Wire LED Driv. (120V forward phase only)	120VAC to 700mA, 38W, Class 2	4-5

250mA - 6.2W version (750LM)

Part Number	Description	Input/Output	# of Fixtures
<a href="#">PPLT00466-P</a>	0-10V Dimming to 1.0%	120-277VAC to 250mA, 10W Class 2	1-1
<a href="#">PPLT00290</a>	Leading / Trailing Edge Dimming to 10% (120V Only)	120-277VAC to 250mA, 16W Class 2	1-1
<a href="#">PPLT00465-P</a>	0-10V Dimming to 1.0%	120-277VAC to 250mA, 20W Class 2	1-2
<a href="#">PPLT00467-P</a>	0-10V Dimming to 1.0%	120-277VAC to 250mA, 50W Class 2	1-2
<a href="#">PPLT00538-P</a>	0-10V Dimming to 0.1% (4 channels)	120-277VAC to 250mA, 100W Class 2	1-2 (1-8)

600mA - 7.1W version (1000LM)

Part Number	Description	Input/Output	# of Fixtures
<a href="#">PPLT00466-P</a>	0-10V Dimming to 1.0%	120-277VAC to 600mA, 10W Class 2, DAMP	1-1
<a href="#">PPLT00465-P</a>	0-10V Dimming to 1.0%	120-277VAC to 600mA, 20W Class 2, DAMP	1-2
<a href="#">PPLT00308-P</a>	0-10V Dimming to 0.1%	120-277VAC to 600mA, 30W Class 2, DAMP	1-4
<a href="#">PPLT00168-P</a>	0-10V Dimming to 0.1%	120-277VAC to 600mA, 50W Class 2	1-6
<a href="#">PPLT00538-P</a>	0-10V Dimming to 0.1% (4 channels)	120-277VAC to 600mA, 100W Class 2	1-3 (1-12)

For other power supply options consult factory.

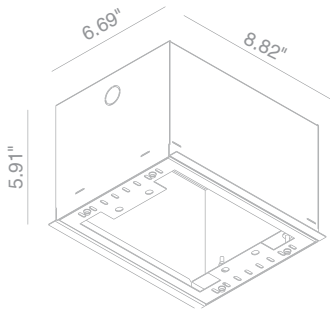
Job Name/Date:

Fixture Type Designation:

# 200CENT SQUARE

## FIXED TRIMLESS RECESSED

### ACCESSORIES - Installation



### FINISHES



**STANDARD** (included) installation system for ceiling 0.35" - 0.47" - 0.59"

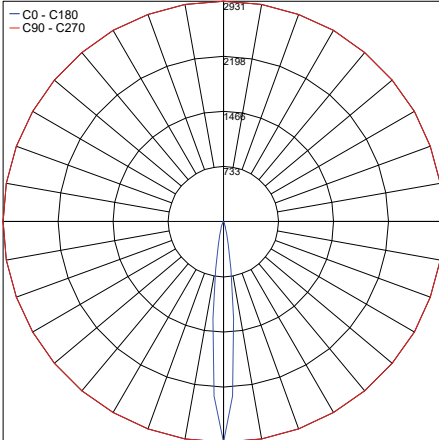
**REF N° 200 99 025** Outer Casing for ceiling 0.98"

**REF N° 200 99 030** Outer Casing for ceiling 1.18"

### PHOTOMETRIC DATA

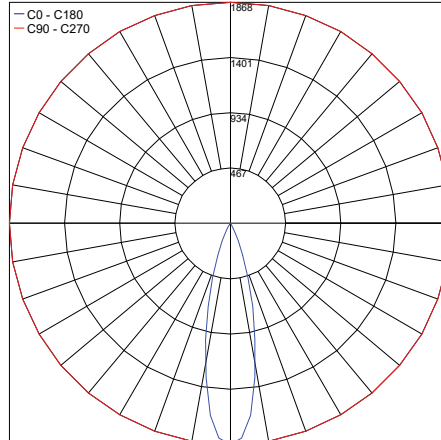
*Note: All photometry is 3000K*

Maximum Candela = 2931



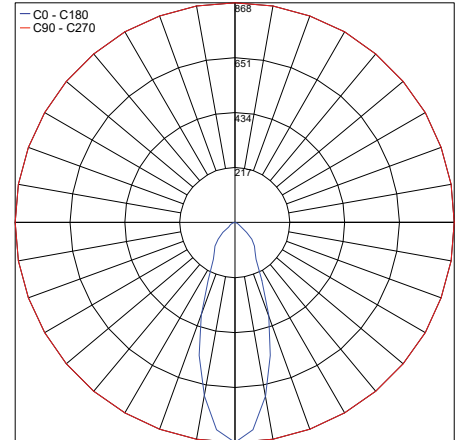
PHOTOMETRIC FILENAME : 200CENT SQ FIX TRIMLESS 250LM 3W 12".IES

Maximum Candela = 1868



PHOTOMETRIC FILENAME : 200CENT SQ FIX TRIMLESS 500LM 5.9W 24".IES

Maximum Candela = 867.7



PHOTOMETRIC FILENAME : 200CENT SQ FIX TRIMLESS 750LM 6.2W 36".IES

Job Name/Date:

Fixture Type Designation: