

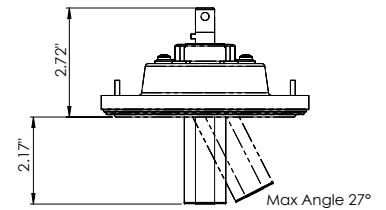
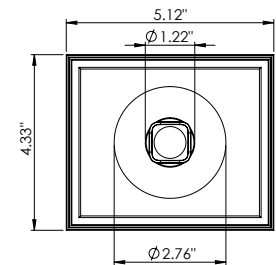
200CENT SQUARE

SWING 30 XL TRIMLESS

Tiny, powerful, exceptional color? It's possible with the 200Cent series. At just 1.02" (26 mm), the aperture is the same size as a 2 Euro coin, hence its name. Available in a vast array of options (fixed, adjustable, trimless, trimmed, pendant) the 200Cent Square Swing 30 XL is semi-recessed and adjustable to 28°.



Ceiling Cut-Out: 4.49" x 5.28"
Fixture Dimensions



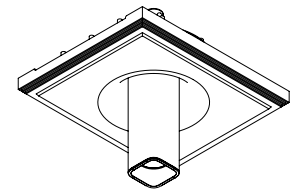
TECHNICAL DATA

| | |
|---------------------------|--|
| Wattage / Input | 6.2W (250mA) |
| Power Supply | Remote, not included. See page 2. |
| Construction | Body: Aluminum |
| CCT | 2400K, 2700K, 3000K, 4000K |
| CRI | >92 |
| Delivered Lumens | 562 lm (6.2W, 3000K, 36°) |
| Luminaire Efficacy | 91 lm/W (6.2W) |
| Optics | 36° (6.2W version) |
| Finishes | 4 Standard. See below and page 2. |
| Cut-Out Dimensions | 4.49" w x 5.28" l x 2.76" h |
| Fixture Dimensions | 4.33" w x 5.12" l x 5.04" h |
| Aperture | 1.02" x 1.02" (rotatable 0° - 28° in Ø2.76") |
| LED Source | 1 A+ LED |
| Color Consistency | 2-Step MacAdam |
| IP Rating | IP20 |

ORDERING INFORMATION

Example: 562 29 530 200 WH BL. Accessories / Power Supplies ordered separately.

| Model No. | CCT | Finish |
|-----------------------|--|--|
| 562 29 (6.2W - 750LM) | 530 - 2400K 930 - 2700K 830 - 3000K 730 - 4000K | 200 BL BL - Black Black 200 WH BL - White Black 200 BL WH - Black White 200 WH WH - White White |



Job Name/Date:

Fixture Type Designation:

200CENT SQUARE

SWING 30 XL TRIMLESS

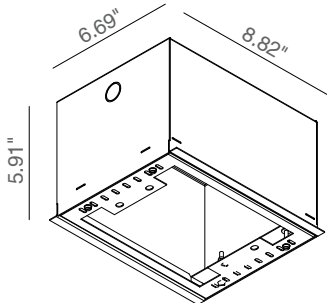
SUGGESTED POWER SUPPLIES

250mA - 6.2W version (750LM)

| Part Number | Description | Input/Output | # of Fixtures |
|-----------------------------|--|-----------------------------------|---------------|
| PPLT00466-P | 0-10V Dimming to 1.0% | 120-277VAC to 250mA, 10W Class 2 | 1-1 |
| PPLT00290 | Leading / Trailing Edge Dimming to 10% (120V Only) | 120-277VAC to 250mA, 16W Class 2 | 1-1 |
| PPLT00465-P | 0-10V Dimming to 1.0% | 120-277VAC to 250mA, 20W Class 2 | 1-2 |
| PPLT00467-P | 0-10V Dimming to 1.0% | 120-277VAC to 250mA, 50W Class 2 | 1-2 |
| PPLT00538-P | 0-10V Dimming to 0.1% (4 channels) | 120-277VAC to 250mA, 100W Class 2 | 1-2 (1-8) |

For other power supply options consult factory.

REQUIRED ACCESSORIES - Installation

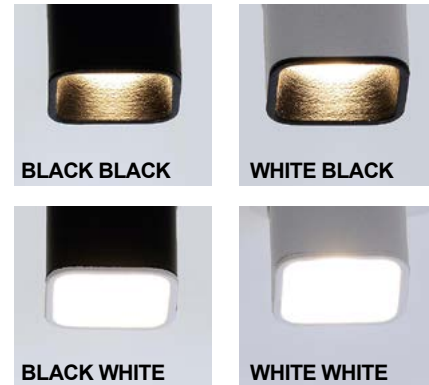


STANDARD (included) installation system for ceiling 0.35" - 0.47" - 0.59"

REF N° 200 99 025 Required Outer Casing for ceiling 0.98" (*sold separately*)

REF N° 200 99 030 Required Outer Casing for ceiling 1.18" (*sold separately*)

FINISHES



Job Name/Date:

Fixture Type Designation: