

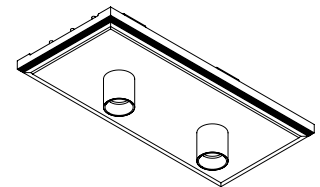
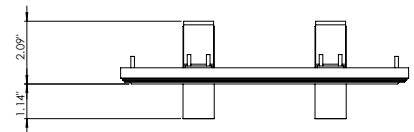
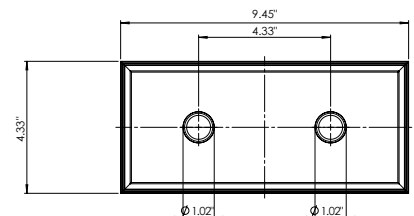
200CENT SERIES

FIXED TWIN SEMI RECESSED TRIMLESS

Tiny, powerful, exceptional color? It's possible with the 200Cent Series. At just 1.02" (26 mm), the aperture is the same size as a 2 Euro coin, hence its name. Available in a vast array of options (fixed, adjustable, trimless, trimmed, pendant) the 200Cent series has a fixture for every application.



Ceiling Cut-Out: 4.49" x 5.28"
Fixture Dimensions



TECHNICAL DATA

Wattage / Input	2x3W (1050mA), 2x5.9W (700mA), 2x6.2W (250mA)
Power Supply	Remote, not included. See page 2.
Construction	Fixture: Aluminum Body: CALCYT®
CCT	2200K, 2400K (6.2W only), 2700K, 3000K, 4000K
CRI	CRI >92
Delivered Lumens	562 lm per beam (36°, 6.2W, 3000K) 438 lm per beam (24°, 5.9W, 3000K) 212 lm per beam (12°, 3W, 3000K)
Luminaire Efficacy	91 lm/W (36°, 6.2W), 74 lm/W (24°, 5.9W), 71 lm/W (12°, 3W) All - 3000K
Optics	12° (3W), 24° (5.9W), 36° (6.2W)
Finishes	9 Standard. See below and page 2.
Cut-Out Dimensions	4.49" x 9.61"
Fixture Dimensions	Ø1.02" x h 3.23"
Calcyt® Dimensions	4.33" x 9.45"
Aperture	Ø1.02"
LED Source	1 A+ LED
Color Consistency	2-Step MacAdam
IP Rating	IP20

ORDERING INFORMATION

Example: 514 19 520 200 WH GO. Accessories / Power Supplies ordered separately.

Model No.	CCT	Finish (Fixture/Reflector)
514 17 (3W - 250LM)	520 - 2200K, 2400K	200 BL CR - Black/Chrome
514 18 (5.9W - 500LM)	(2400K on the 6.2W version only)	200 BL BL - Black/Black
514 19 (6.2W - 750LM)	920 - 2700K	200 BL WH - Black/White
	820 - 3000K	200 BL GO - Black/Gold
	720 - 4000K	200 BL CO - Black/Copper
		200 WH BL - White/Black
		200 WH WH - White/White
		200 WH GO - White/Gold
		200 WH CO - White/Copper

Job Name/Date:

Fixture Type Designation:

SUGGESTED POWER SUPPLIES

1050mA - 3W version (250LM)

Part Number	Description	Input/Output	# of Fixtures
PPLT00466-P	0-10V Dimming to 1.0%	120-277VAC to 1050mA, 10W Class 2	1-2
PPLT00465-P	0-10V Dimming to 1.0%	120-277VAC to 1050mA, 20W Class 2	1-6
PPLT00480-P	0-10V Dimming to 1.0%	120-277VAC to 1050mA, 30W Class 2	1-10
PPLT00309-P	0-10V Dimming to 1.0%	120-277VAC to 1050mA, 50W Class 2	1-16
PPLT00538-P	0-10V Dimming to 0.1% (4 channels)	120-277VAC to 1050mA, 100W Class 2	1-8 (1-32)

700mA - 5.9W version (500LM)

Part Number	Description	Input/Output	# of Fixtures
PPLT00466-P	0-10V Dimming to 1.0%	120-277VAC to 700mA, 10W Class 2	1-1
PPLT00470	Phase Dim (120V Only)	120-277VAC to 700mA, 14W Class 2	1-2
PPLT00465-P	0-10V Dimming to 1.0%	120-277VAC to 700mA, 20W Class 2	1-3
PPLT00261	Leading / Trailing-Edge Dimming to 10% (120V only)	120-277VAC to 700mA, 32W Class 2	3-5
PPLT00467-P	0-10V Dimming to 1.0%	120-277VAC to 700mA, 50W Class 2	1-6
PPLT00538-P	0-10V Dimming to 0.1% (4 channels)	120-277VAC to 700mA, 100W Class 2	1-4 (1-16)

Lutron Compatible - 700mA - 5.9W version (500LM)

Part Number	Option	Lutron SKU	Dim Range	Description	Input/Output	# of Fixtures
PPLT00515	L3DAE / L3DA3W	L3DA	100%-1%	Hi-Lume™ 1% EcoSystem™ or 1% 3-Wire LED Driv.	120-277VAC to 700mA, 14W, Class 2	1-2
PPLT00517	L3DAE / L3DA3W	L3DA	100%-1%	Hi-Lume™ 1% EcoSystem™ or 1% 3-Wire LED Driv.	120-277VAC to 700mA, 27W, Class 2	2-4
PPLT00181	L3DAE / L3DA3W	L3DA	100%-1%	Hi-Lume™ 1% EcoSystem™ or 1% 3-Wire LED Driv.	120-277VAC to 700mA, 38W, Class 2	4-5

250mA - 6.2W version (750LM)

Part Number	Description	Input/Output	# of Fixtures
PPLT00466-P	0-10V Dimming to 1.0%	120-277VAC to 250mA, 10W Class 2	1-1
PPLT00290	Leading / Trailing Edge Dimming to 10% (120V Only)	120-277VAC to 250mA, 16W Class 2	1-1
PPLT00465-P	0-10V Dimming to 1.0%	120-277VAC to 250mA, 20W Class 2	1-2
PPLT00467-P	0-10V Dimming to 1.0%	120-277VAC to 250mA, 50W Class 2	1-2
PPLT00538-P	0-10V Dimming to 0.1% (4 channels)	120-277VAC to 250mA, 100W Class 2	1-2 (1-8)

For other power supply options consult factory.

Job Name/Date:

Fixture Type Designation:

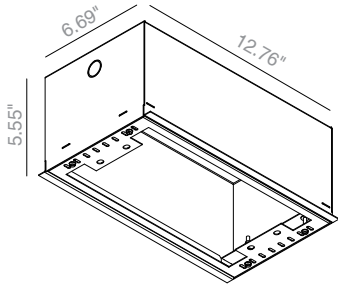
200CENT SERIES

FIXED TWIN SEMI RECESSED TRIMLESS

REQUIRED ACCESSORIES - Installation

STANDARD (required)

installation system for ceiling 0.35" - 0.47" - 0.59"



200 99 025 (sold separately)

Required Outer Casing
for ceiling 0.98"

200 99 030 (sold separately)

Required Outer Casing
for ceiling 1.18"

FINISHES



BL CR



BL BL



BL WH



BL GO



BL CO



WH BL



WH WH



WH GO

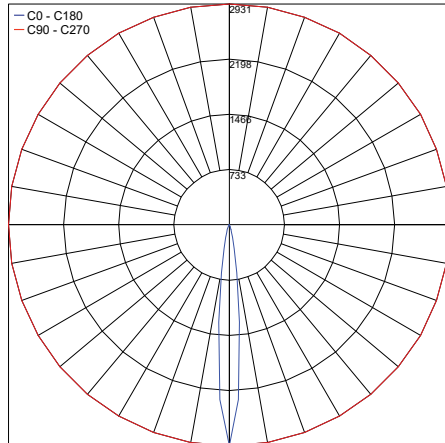


WH CO

PHOTOMETRIC DATA

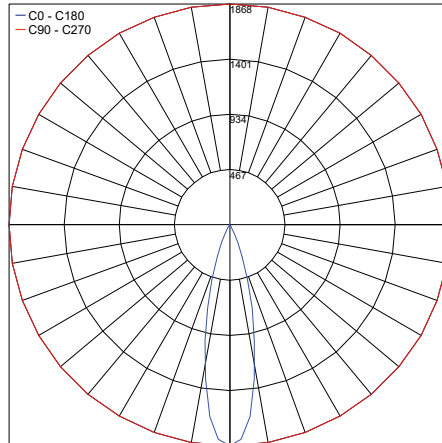
Note: All photometry is 3000K

Maximum Candela = 2931



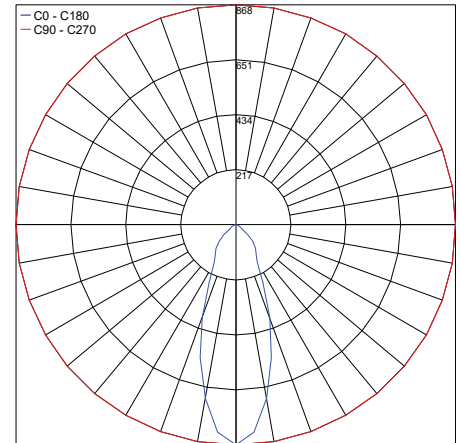
PHOTOMETRIC FILENAME : 200CENT-SEMI-REC-TRIMLESS-250LM-12".IES

Maximum Candela = 1867.5



PHOTOMETRIC FILENAME : 200CENT-SEMI-REC-TRIMLESS-500LM-24".IES

Maximum Candela = 867.7



PHOTOMETRIC FILENAME : 200CENT-SEMI-REC-TRIMLESS-750LM-36".IES

Job Name/Date:

Fixture Type Designation: