

200CENT ROUND 250LM W15 FIX TRIMLESS IP20

INDOOR

Fix (not adjustable) Asymmetric 15°

□ 4.49" x 5.28" - h = 4.33"

Material : CALCYT® plaster



REF N° 200 BLACK

Black



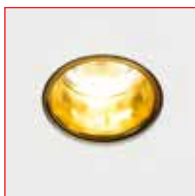
REF N° 200 WHITE

White



REF N° 200 CHROME

Chrome



REF N° 200 GOLD

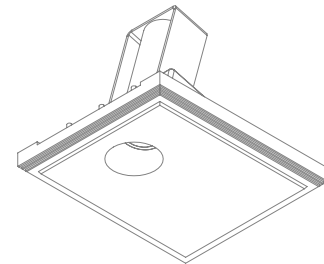
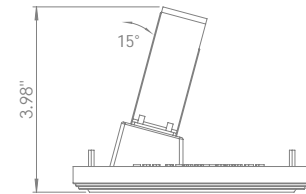
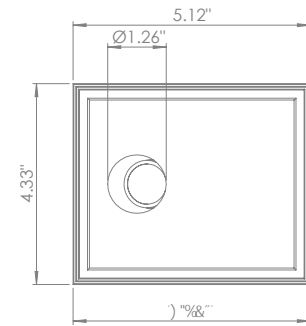
Gold



REF N° 200 COPPER

Copper

200CENT ROUND W15 IP20 250LM CRI 92			
2200°K	2700°K	3000°K	4000°K
REF N° 510 27 530	REF N° 510 27 930	REF N° 510 27 830	REF N° 510 27 730
3W - 250LM - 2-Step MacAdam - Serial wiring - □ - ▣ Requires remote LED driver - 1050mA Narrow beam 12° - Ultra low glare (UGR < 1.3)			



INSTALLATION KIT

STANDARD (included) installation system for ceiling 0.35" - 0.47" - 0.59"

REF N° 200 99 025 installation system for gypsum ceiling 0.98"

REF N° 200 99 030 installation system for gypsum ceiling 1.18"

BEAM ANGLES

STANDARD (included) beam angle 12°

200CENT ROUND 500LM W15 FIX TRIMLESS IP20

INDOOR

Fix (not adjustable) Asymmetric 15°

4.49" x 5.28" - h = 4.33"

Material : CALCYT® plaster



REF N° 200 BLACK

Black



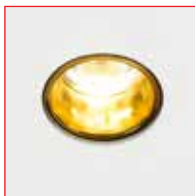
REF N° 200 WHITE

White



REF N° 200 CHROME

Chrome



REF N° 200 GOLD

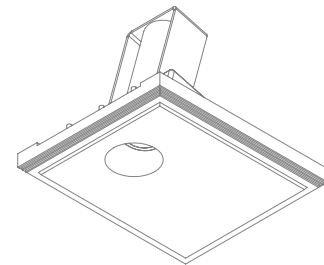
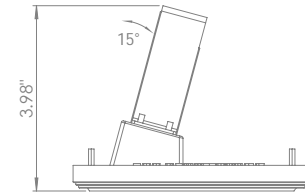
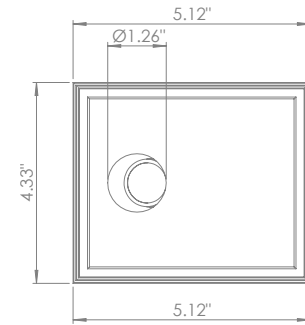
Gold



REF N° 200 COPPER

Copper

200CENT ROUND W15 IP20 500LM CRI 92			
2200°K	2700°K	3000°K	4000°K
REF N° 510 28 530	REF N° 510 28 930	REF N° 510 28 830	REF N° 510 28 730
5.9W - 500LM - 2-Step MacAdam - Serial wiring - □ - ▣			
Requires remote LED driver - 700mA Perfect beam 24° - Ultra low glare (UGR < 13)			



INSTALLATION KIT

STANDARD (included) installation system for ceiling 0.35" - 0.47" - 0.59"

REF N° 200 99 025 installation system for gypsum ceiling 0.98"

REF N° 200 99 030 installation system for gypsum ceiling 1.18"

BEAM ANGLE

STANDARD (included) beam angle 24°

200CENT ROUND 750LM W15 FIX TRIMLESS IP20

INDOOR

Fix (not adjustable) Asymmetric 15°

□ 4.49" x 5.28" - h = 4.33"

Material : CALCYT® plaster



REF N° 200 BLACK

Black



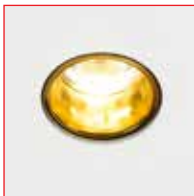
REF N° 200 WHITE

White



REF N° 200 CHROME

Chrome



REF N° 200 GOLD

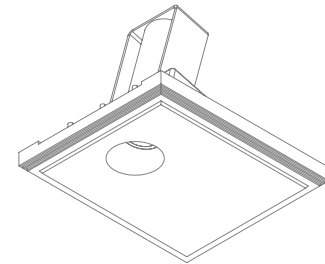
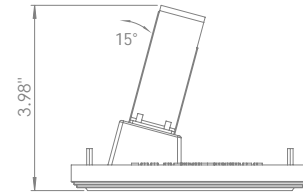
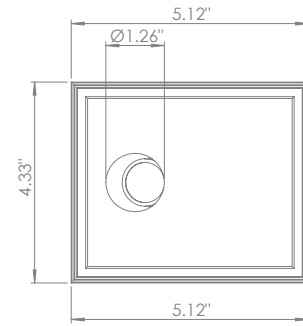
Gold



REF N° 200 COPPER

Copper

200CENT ROUND W15 IP20 750LM CRI 92			
2400°K	2700°K	3000°K	4000°K
REF N° 510 29 530	REF N° 510 29 930	REF N° 510 29 830	REF N° 510 29 730
6.2W - 750LM - 2-Step MacAdam - Serial wiring - □ - ■ Requires remote LED driver - 250mA Standard beam angle 36°			



INSTALLATION KIT

STANDARD (included) installation system for ceiling 0.35" - 0.47" - 0.59"

REF N° 200 99 025 installation system for gypsum ceiling 0.98"

REF N° 200 99 030 installation system for gypsum ceiling 1.18"

BEAM ANGLES

STANDARD (included) beam angle 36°

