

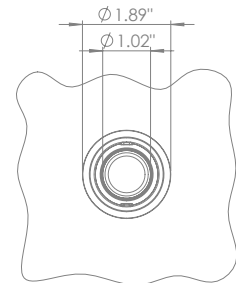
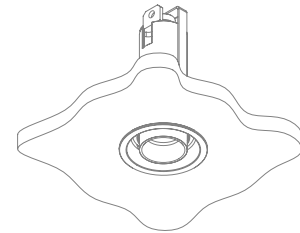
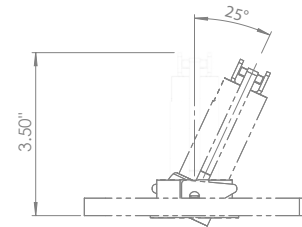
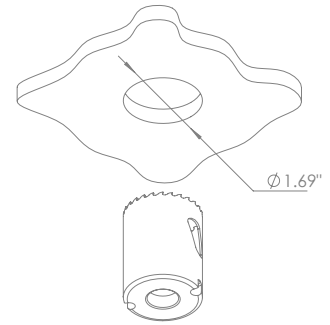
200CENT ROUND 500LM ADJ TRIM IP20

INDOOR

Adjustable 0° - 25°

☞ Ø1.69" - h = 3.94"

Material : Aluminum



200CENT ROUND ADJ IP20 TRIM 500LM CRI 92

2200°K	2700°K	3000°K	4000°K
REF N° 533 28 530	REF N° 533 28 930	REF N° 533 28 830	REF N° 533 28 730

5.9 W - 500LM - 2-Step MacAdam -
Serial wiring - ☞
Requires remote LED driver - 700mA
Perfect beam 24° - Ultra low glare (UGR < 13)



INSTALLATION KIT

REF N° 680 01 043 standard holesaw Ø1.69"

BEAM ANGLES

STANDARD (included) beam angle 24°

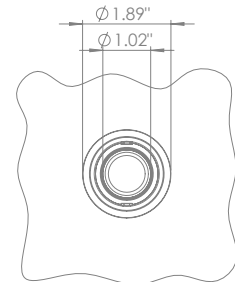
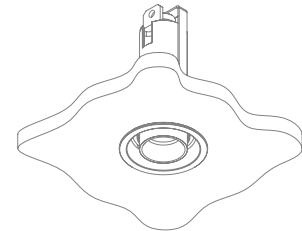
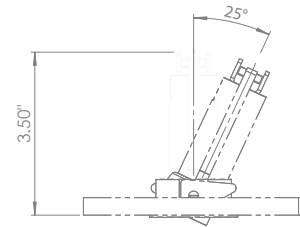
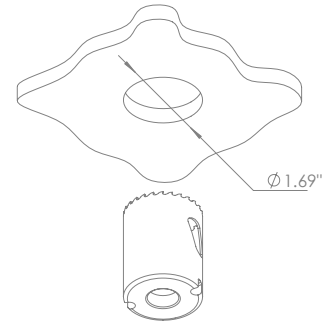
200CENT ROUND 250LM ADJ TRIM IP20

INDOOR

Adjustable 0° - 25°

☞ Ø1.69" - h = 3.94"

Material : Aluminum



200CENT ROUND ADJ IP20 TRIM 250LM CRI 92

2200°K	2700°K	3000°K	4000°K
REF N° 533 27 530	REF N° 533 27 930	REF N° 533 27 830	REF N° 533 27 730

3W - 250LM - 2-Step MacAdam -
Serial wiring - ☞

Requires remote LED driver - 1050mA
Narrowbeam 12° - Ultra low glare (UGR < 13)



REF N° 200 BL CR

Black - Chrome



REF N° 200 BL BL

Black - Black



REF N° 200 WH BL

White - Black



REF N° 200 BL WH

Black - White



REF N° 200 WH WH

White - White



REF N° 200 BL GO

Black - Gold



REF N° 200 WH GO

White - Gold



REF N° 200 BL CO

Black - Copper



REF N° 200 WH CO

White - Copper

INSTALLATION KIT

REF N° 680 01 043 standard holesaw Ø1.69"

BEAM ANGLES

STANDARD (included) beam angle 12°

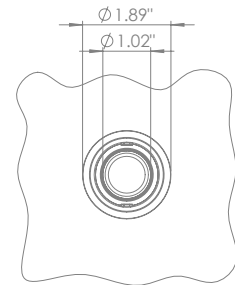
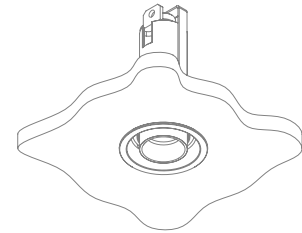
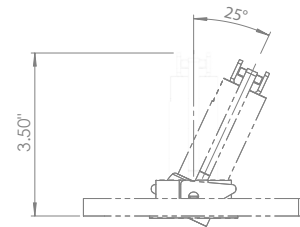
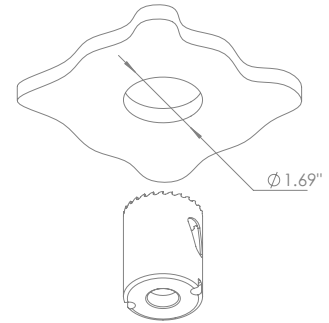
200CENT ROUND 750LM ADJ TRIM IP20

INDOOR

Adjustable 0° - 25°

☞ Ø1.69" - h = 3.94"

Material : Aluminum



200CENT ROUND ADJ IP20 TRIM 750LM CRI 92

2400°K	2700°K	3000°K	4000°K
REF N° 533 29 530	REF N° 533 29 930	REF N° 533 29 830	REF N° 533 29 730

6.2W - 750LM - 2-Step MacAdam -

Serial wiring - ☞

Requires remote LED driver - 250mA

Standard beam angle 36°

REF N° 200 BL CR



Black - Chrome

REF N° 200 BL BL



Black - Black

REF N° 200 WH BL



White - Black

REF N° 200 BL WH



Black - White

REF N° 200 WH WH



White - White

REF N° 200 BL GO



Black - Gold

REF N° 200 WH GO



White - Gold

REF N° 200 BL CO



Black - Copper

REF N° 200 WH CO



White - Copper

INSTALLATION KIT

REF N° 680 01 043 standard holesaw Ø1.69"

BEAM ANGLES

STANDARD (included) beam angle 36°

