

# 200CENT SQUARE 750LM SWING 30 XL TRIMLESS IP20


INDOOR

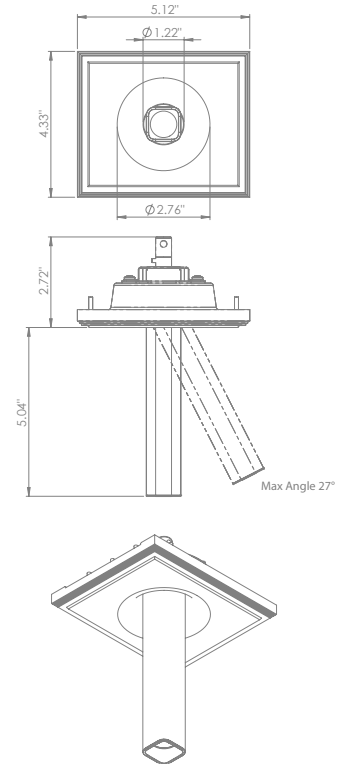
Adjustable 0° - 27°

4.49" x 5.28" - h = 2.76"

Material : CALCYT® plaster



200CENT SQUARE SWING 30 XL 750LM CRI 92			
2400°K	2700°K	3000°K	4000°K
REF N° 562 29 530	REF N° 562 29 930	REF N° 562 29 830	REF N° 562 29 730
6.2W - 750lm - 2 Step MacAdam - Serial wiring - 			
Requires remote LED driver - 250mA			
Standard beam angle 36°			

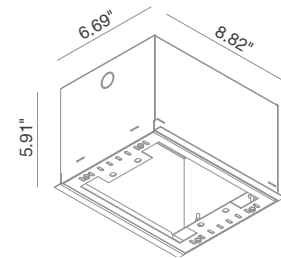


## INSTALLATION KIT

**STANDARD** (included) installation system for ceiling 0.35" - 0.47" - 0.59"

**REF N° 200 99 025** installation system for gypsum ceiling 0.98"

**REF N° 200 99 030** installation system for gypsum ceiling 1.18"



## BEAM ANGLES

**STANDARD** (included) beam angle 36°

