



- › High-quality spotlight for many application areas
- › Up to 1920 lumen light intensity
- › Can be swivelled up to 180° individually



designplanTM 



4.0192 | SURFACE-SPOTLIGHT

FOR LIGHTING FOUNTAINS AND EXTERIOR AREAS.

IP68

STAINLESS
STEEL V4A
1.4571
316Ti

POW-LED
INCL.

3.000 K
4.500 K
6.000 K

RGB

350mA
12VDC
230 V



CABLE
INCL.

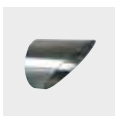


- Protection system IP68 – for a water depth of up to 9.84 ft.
- Entirely made of stainless steel 316Ti
- Mounting foot adjustable through 180° or 90°
- POW-LED PG13.5 12VDC for parallel connection
- POW-LED RGB 350mA

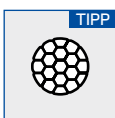
...

- Cable gland PG13.5, marine grade 316Ti stainless steel
- Temperature-resistant silicon seal
- Toughened safety glass
- POW-LED with light source and 9.84 ft. cable

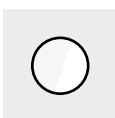
+ ADDITIONAL PARTS



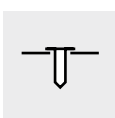
Anti-glare ring
Stainless steel 316Ti, Ø7.0", length 8.0" 9.0192.00.70
9.0192.00.70



anti-glare louver
black, for POW-LED
4.0003.02.01
4.0003.02.01



glass disc, frosted
for softer light distribution (light loss approx. -15%)
4.0066.01.00
4.0066.01.00



spike
Stainless steel, 15.55"
4.0305.50.00
4.0305.50.00



SURFACE SPOTLIGHT 4.0192

UNDERWATER | EXTERIOR

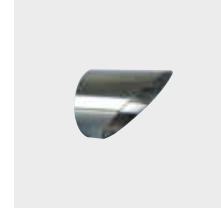
IP68



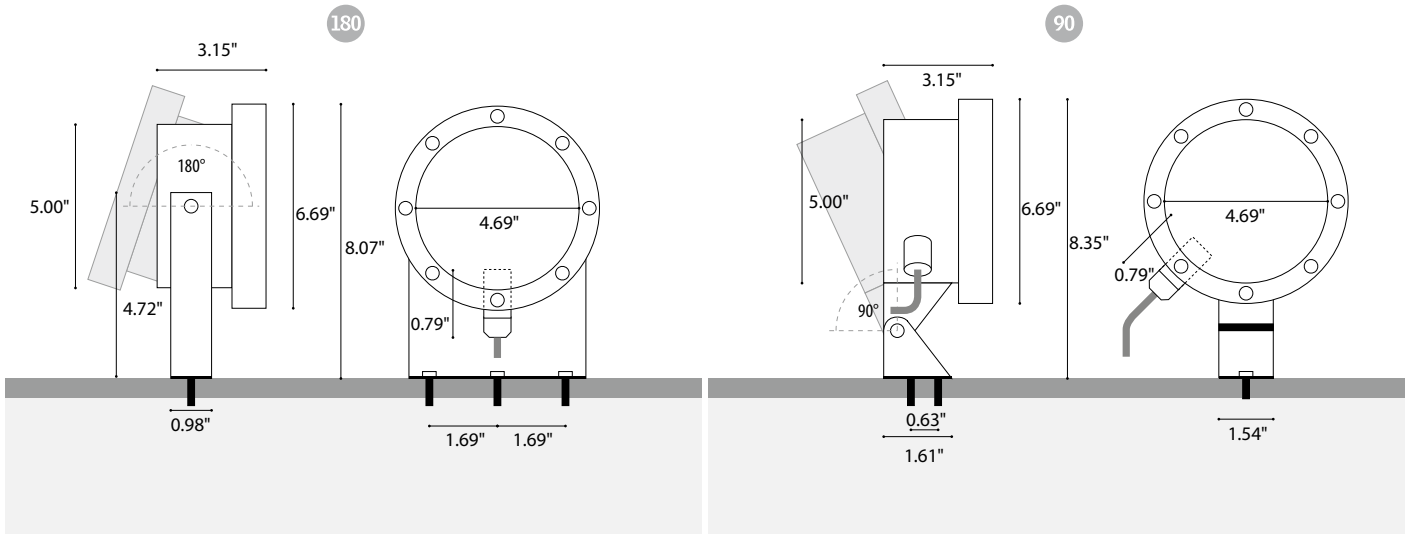
180° adjustable



90° adjustable



Anti-glare ring



90	180	Article number	Article number	Lamps	Lumen	Light color	Wattage	V/mA	Radiation angle
----	-----	----------------	----------------	-------	-------	-------------	---------	------	-----------------

VERSIONS: UNDER- AND OVERWATER OPERATION (ACCORDING TO PRIOR AGREEMENT)

POW-LED – 350mA

4.0192.90.09	4.0192.18.09	12 POW-LED RGB					all on 19W	350mA	30°
--------------	--------------	----------------	--	--	--	--	------------	-------	-----

POW-LED – 12VDC

4.0192.90.61	4.0192.18.61	12 POW-LED cold white	1920 lm	6.000K	total 15 W	12 VDC			30°
4.0192.90.62	4.0192.18.62	12 POW-LED warm white	1500 lm	3.000K	total 15 W	12 VDC			30°
4.0192.90.63	4.0192.18.63	12 POW-LED neutral white	1680 lm	4.500K	total 15 W	12 VDC			30°

designplan™



79 Trenton Avenue
Frenchtown, NJ 08825

www.designplan.com

Tel: (908) 996-7710
Fax: (908) 996-7042



IP68

UNDERWATER | EXTERIOR

< Project
Tauernspa Kaprun, Austria
Photo: Photoart Reifmüller



< Project
Plaza Bolivar Maracay, Venezuela
© Grupo MCI

OPTIONS

Possible beam angle POW-LED



NOTE



SALINE version possible - Article number with additional „S“ at the end



POW-LED, series-connected at 350mA



POW-LED in parallel connection at 12VDC