

4.0192 LED FOUNTAIN FLOODLIGHT



DESCRIPTION

- Protection system IP68 for a water depth of up to 9.84'
- Made of marine grade 316Ti stainless steel for POW-LED
- POW-LED 350mA version for series connection
- POW-LED 12VDC version for parallel connection
- Mounting foot adjustable through 180° or 90°
- Cable gland PG13,5, marine grade 316Ti stainless steel
- Temperature-resistant silicon seal
- Toughened safety glass
- POW-LED with light source and 9.84' cable

REFERENCES

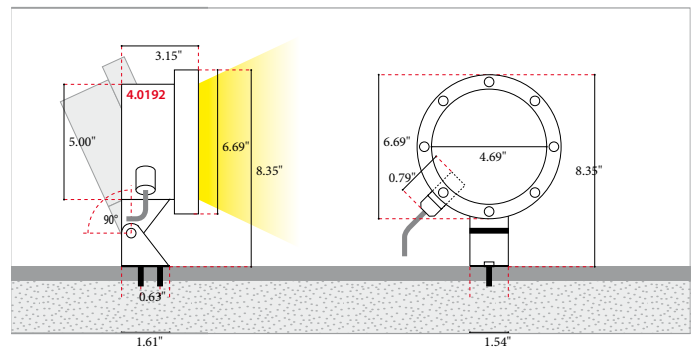
- SALINE version possible

OPTIONS ON REQUEST

- Beam Angle: POW-LED: 10°, 30°, 45°
- Including light sources and cable on request

APPLICATION

- For fountains, plants and water games



Article number	Lamps	Light color	Wattage (TLF)	Tension	Socket	Radation angle	Cable
POW-LED – 350mA							
4.0192.90.09	12 POW-LED RGB - 90°		all on 19 W	350mA	Klemme	30°	UW, 8x22AWG
4.0192.18.09	12 POW-LED RGB - 180°		all on 19 W	350mA	Klemme	30°	UW, 8x22AWG
POW-LED – 12 VDC							
4.0192.90.61	12 POW-LED cold white <input type="checkbox"/>	6.000K	total 15W (1920 lm)	12 VDC	Klemme	30°	UW, 2x16AWG
4.0192.90.62	12 POW-LED warm white <input type="checkbox"/>	3.000K	total 15W (1500 lm)	12 VDC	Klemme	30°	UW, 2x16AWG
4.0192.90.63	12 POW-LED neutral white <input type="checkbox"/>	4.500K	total 15W (1680 lm)	12 VDC	Klemme	30°	UW, 2x16AWG

Job Name:

Fixture Type:

Last Modified:



sales@designplan.com
www.designplan.com

© Copyright 2016 Designplan Lighting Inc.

79 Trenton Ave
Frenchtown, NJ 08825

Tel: 908-996-7710
Fax: 908-996-7042

POWER SUPPLIES

12VDC

FPV-060000012	120-277V to 12VDC 60W Fountain PSU	Non-Dim	1-3 Fixtures
FPV-060EL0012	120-277V to 12VDC 60W Fountain PSU	DMX, 0-10V	1-3 Fixtures

350mA - RGB

FPC-100EL0350	120-277V to 350mA 60W Fountain PSU	DMX, 0-10V	1 Fixture
----------------------	--	------------	-----------

Job Name:

Fixture Type:

Last Modified:



© Copyright 2016 Designplan Lighting Inc.

79 Trenton Ave
Frenchtown, NJ 08825

sales@designplan.com
www.designplan.com

Tel: 908-996-7710
Fax: 908-996-7042