

# 855 MONITOR

855 Monitor is a linear profile surface-mounted vandal resistant luminaire that has a 0-10V integral driver and is suitable for indoor or outdoor installation. It is available in 3 color temperatures and 3 standard finishes.



**MADE IN THE U.S.A.**  
Complies with ARRA level III

Fixture Dimensions  
See Drawing on page 2.

## TECHNICAL DATA

<b>Wattage / Input</b>	28W - 1 row (120-277VAC) 56W - 2 row (120-277VAC)
<b>Power Supply</b>	Integral (0-10V Dimming)
<b>Construction</b>	Body: Aluminum Lens: Clear Polycarbonate Micro Diffuser Film Hardware: Stainless Steel
<b>CCT</b>	3000K, 3500K, 5000K
<b>Delivered Lumens</b>	5208 lm (56W, 3000K)
<b>CRI</b>	>80
<b>Finishes</b>	3 Standard, See Below
<b>Fixture Dimensions</b>	4.56 w x 3.47 h x Various Lengths (see below)
<b>IP Rating</b>	IP65
<b>IK Rating</b>	IK10++

## ORDERING INFORMATION

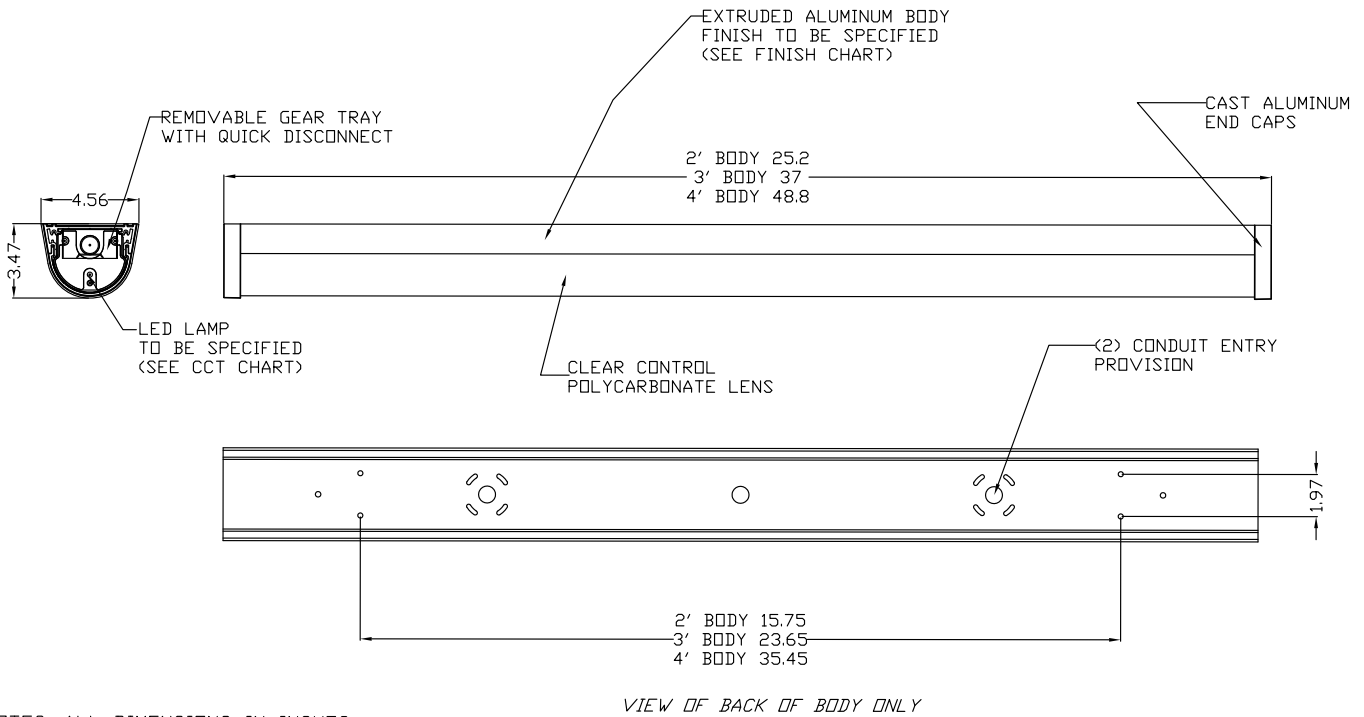
Example: 855-L-2130-1-00-C-C-4

855-L	-		-	1	-		-	C	-	C	-	
Model #	CCT	Body	Finish	Driver	Lens	Options						
855- L	<b>2130</b> - 1 ROW 3000K, 2' BODY <b>2135</b> - 1 ROW 3500K, 2' BODY <b>2150</b> - 1 ROW 5000K, 2' BODY <b>2230</b> - 2 ROW 3000K, 2' BODY <b>2235</b> - 2 ROW 3500K, 2' BODY <b>2250</b> - 2 ROW 5000K, 2' BODY <b>3130</b> - 1 ROW 3000K, 3' BODY <b>3135</b> - 1 ROW 3500K, 3' BODY <b>3150</b> - 1 ROW 5000K, 3' BODY <b>3230</b> - 2 ROW 3000K, 3' BODY <b>3235</b> - 2 ROW 3500K, 3' BODY <b>3250</b> - 2 ROW 5000K, 3' BODY <b>4130</b> - 1 ROW 3000K, 4' BODY <b>4135</b> - 1 ROW 3500K, 4' BODY <b>4150</b> - 1 ROW 5000K, 4' BODY <b>4230</b> - 2 ROW 3000K, 4' BODY <b>4235</b> - 2 ROW 3500K, 4' BODY <b>4250</b> - 2 ROW 5000K, 4' BODY	<b>1</b> - Surface Mount No Conduit Entries	<b>02</b> - Black Suede  <b>11</b> - White Suede  <b>03</b> - Gray	<b>C</b> - 120-277VAC, 0-10V Dimming Integral Driver	<b>C</b> - Clear Polycarbonate Micro Diffuser Film	<b>0</b> - None <b>4</b> - One Circuit Fusing <b>8</b> - Special Screws <i>(Please specify)</i>						

Job Name/Date:

Fixture Type Designation:

## Fixture Dimensions



NOTES: ALL DIMENSIONS IN INCHES

Job Name/Date:

Fixture Type Designation: