



INSTRUCTIONS PERTAINING TO RISK OF FIRE OR INJURY TO PERSONS. READ ALL INSTRUCTIONS. IMPORTANT SAFETY INSTRUCTIONS. SAVE THESE INSTRUCTIONS.

DANGER - RISK OF SHOCK - DISCONNECT POWER BEFORE INSTALLATION! Please read all instructions before installation.

- Keep these instructions for future reference.
- Must be installed by a qualified electrician in accordance with national and local standards. Designplan is not responsible for fixtures installed without regard to these standards.
- Unauthorized alterations or tampering of product voids warranty.
- The main power connection must be in accordance with local electrical codes.
- Suitable for OUTDOOR applications.



Maintenance

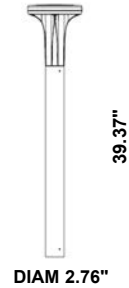
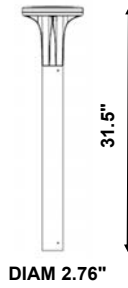
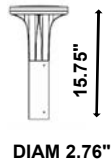
Scheduled maintenance must be carried out once a year on all lighting devices, regardless of appliance class and type of use. It must include the following operations:

- Periodically clean fixtures to remove dirt from gratings and screw heads.
- Check tightness of screws on various parts of the device.
- Check that all cable glands and cables are intact and tight. Check that the glass or plastic lens is intact, and replace it if broken or damaged.
- The internal components such as the ballast, driver, washers and screws must not show clear signs of oxidation or rust. Clear traces of rust and oxidation will indicate the presence of water inside the device.
- In the case of damage, the components must be replaced by original components or spare parts.

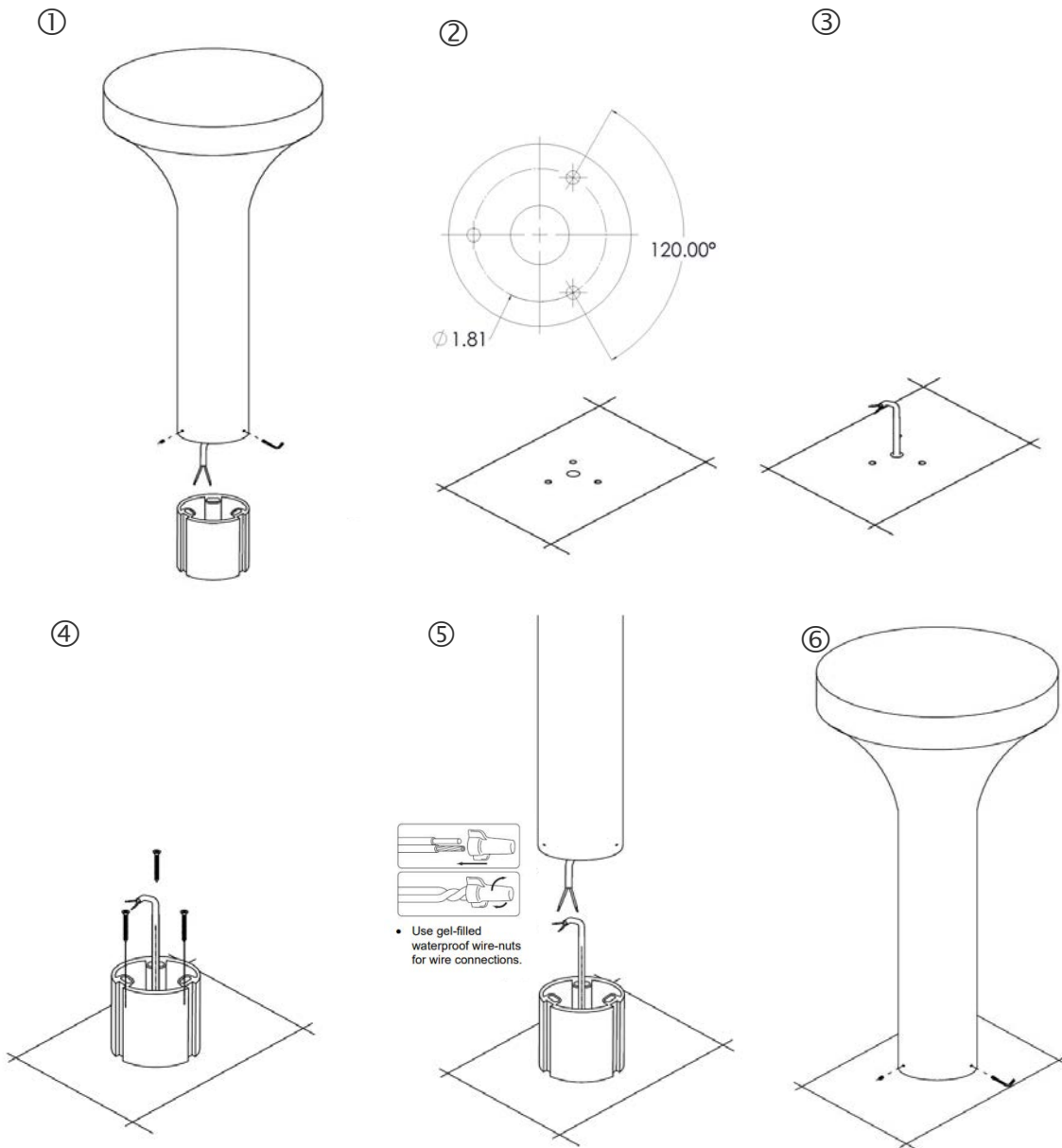
ALDER 400, 800, 1000

Installation

installation instructions



1. Loose the grub-screws in the base of the luminaire using the tool included in the package and remove the fixing plate. (1)
2. Prepare holes in the ground of the feeding point using fischer plugs. (2-3)
3. Fix the base to the floor by tighten the screws of the fischer plugs. (4)
4. Make the appropriate electrical connection. (5)
5. Place the luminaire by tighten the grub-screws of the base using the tool included in the package. (6)



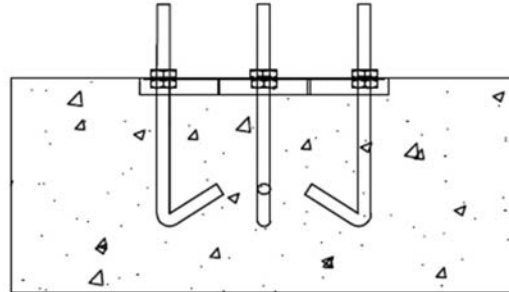
ALDER 400, 800, 1000

AC065 ANCORAGE UNIT

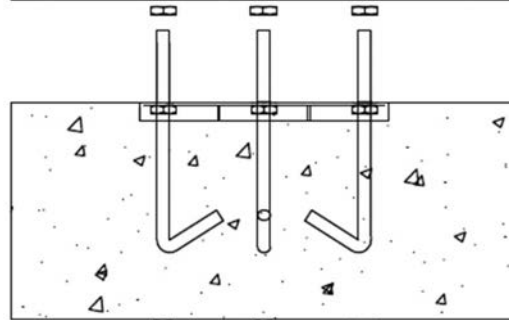
STEEL
BASE



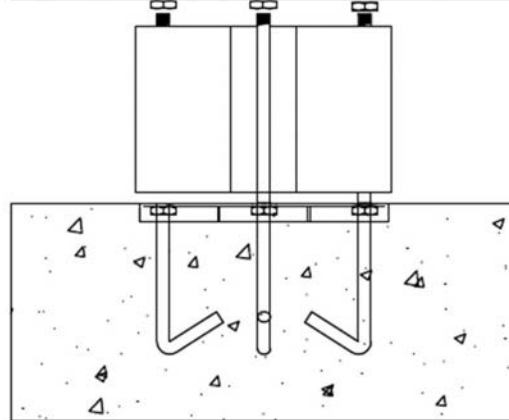
PLASTIC
BASE



1 PLACE THE BASE
INTO CONCRETE BED



2 UNSCREW AND REMOVE 3 NUTS



3 INSERT THE PLASTIC BASE AND
FIX IT USING 3 NUTS