

AMP is a square wet label wall mounted luminaire with an up/down light emissions. It is available in 2 color temperatures and can have up only, down only or up and down beam directions. Made in the U.S.A.



**MADE IN THE U.S.A.**  
Complies with ADA, LM79, LM80

Fixture Dimensions  
See Drawing on page 2.

## TECHNICAL DATA

<b>Wattage / Input</b>	8W (120-277VAC)
<b>Power Supply</b>	Integral 0-10V Dimming
<b>Construction</b>	Body: Die Cast Low Copper Alloy Aluminum
<b>CCT</b>	3000K, 4000K
<b>Delivered Lumens</b>	198 lm (3000K)
<b>Efficacy</b>	24.75 lm/W
<b>Optics</b>	Diffuse
<b>Finishes</b>	3 Standard, Custom - See Below
<b>LED Source</b>	8 x 1W Cree LEDs
<b>Fixture Dimensions</b>	8.0" x 6.0"
<b>Fixture Weight</b>	-
<b>IP Rating</b>	IP65

## ORDERING INFORMATION

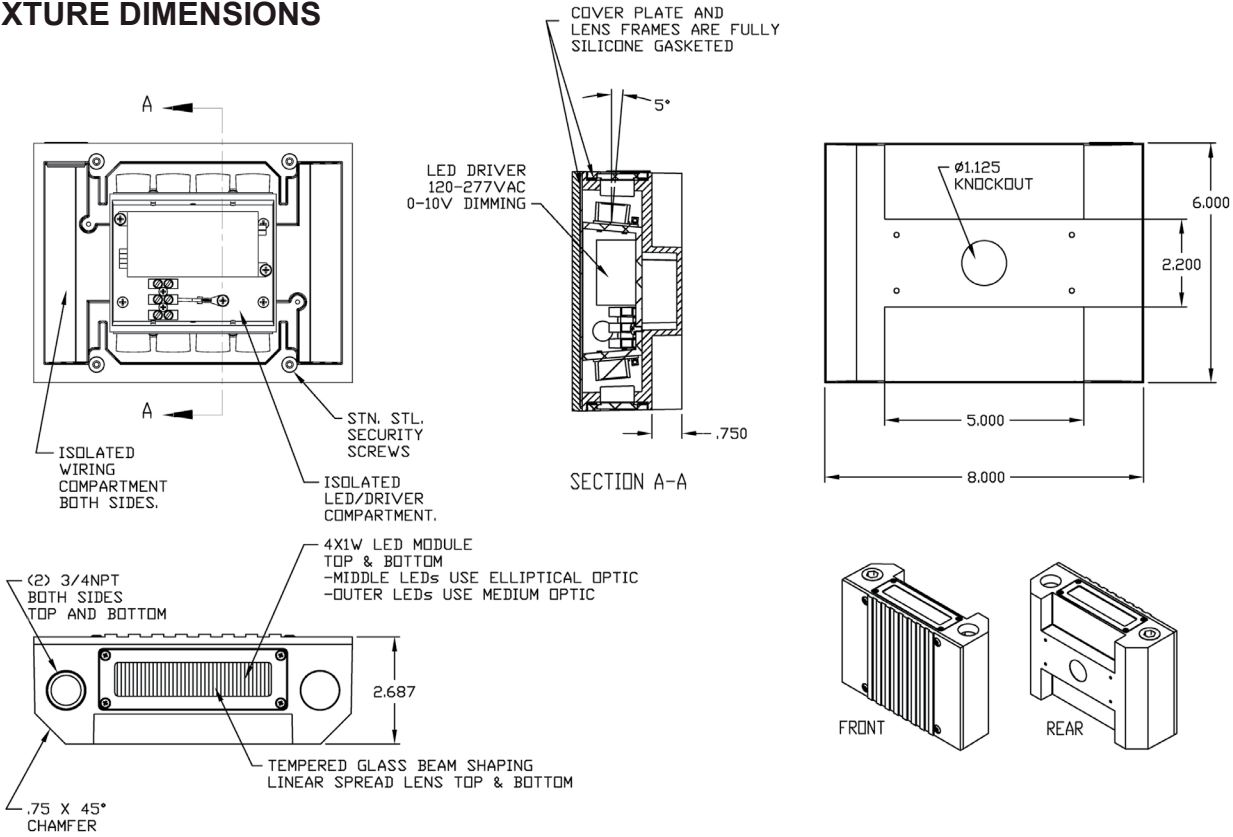
Example: AMP.30.U.TS.

AMP	.		.		.	
Model No.	LED	Beam Direction	Finish			
AMP	30 - 3000K 40 - 4000K	U - Up Only D - Down Only B - Up and Down	02 - Matte Black EW - Euro White TS - Silver 99- Custom			

Job Name/Date:

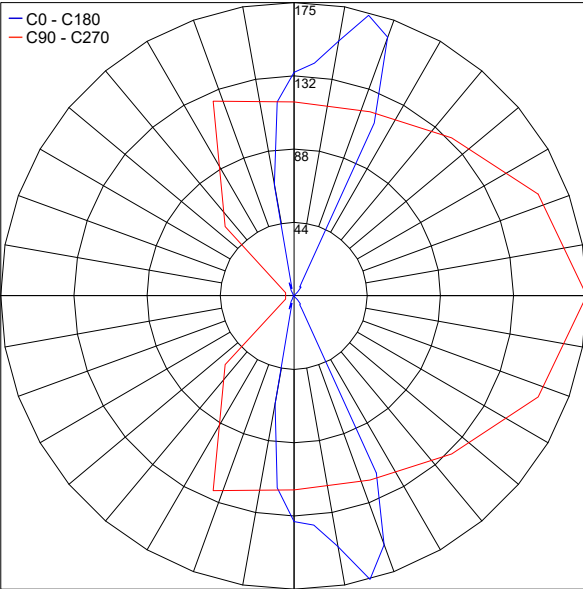
Fixture Type Designation:

**FIXTURE DIMENSIONS**



**PHOTOMETRIC DATA** - Note: all Photometry is 3000K

Maximum Candela = 175.5



Job Name/Date:

Fixture Type Designation: