

B-INSIDE TRACK

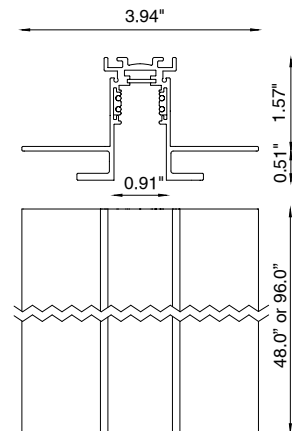
B-Inside is a flush mounted, low voltage track lighting system for interiors, used for spotlights, pendants and linear installations. Track and structures can be managed by non-dim remote control systems. The profile has a length of between 48.0" or 96.0", extruded in anodized black aluminum and fitted with 48V leads.



TECHNICAL DATA

Wattage / Input	Based on head, pendant or linear luminaire
Power Supply	Remote 48VDC, not included. See page 2.
Dimming	See track heads for dimming protocol
Construction	Body: Aluminum
CCT	See track head, pendant, linear datasheets
CRI	>90
Mounting	Recessed Flush
Finishes	Black RAL 9005
Lengths	48.0" or 96.0"
Cutout Dimensions	2.24" x Length
Circuits	2 x ±15 A · 48 VDC 1 x ±15 A · 48 VDC + D+/D-
Notes	The supply connectors, plugs and further fixture accessories must be ordered separately. Any 90° connector must be ordered separately to ensure electric continuity in the corners. Light points cannot be installed in the corners.

Fixture Dimensions



ORDERING INFORMATION

Example: **BUT048T00B10071.US**. Power Supplies / Accessories ordered separately.

BUT048T00	B1	0		1	US
Model No.	Finish		Length		
BUT048T00	B1 - Black	0	07 - 48.0" 08 - 96.0"	1	US

Job Name/Date:

Fixture Type Designation:

CLASS 2 LOW VOLTAGE - SUGGESTED POWER SUPPLIES

For other power supply options consult factory.

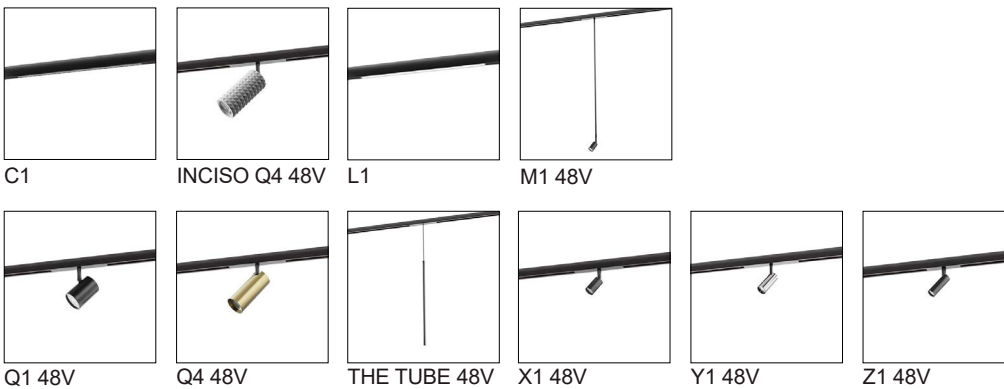
Part Number	Description	Input/Output	# of Fixtures
PPLT00577	Non-Dim	120-277VAC to 48VDC, 96W, Class 2	Any combo of fixtures may be used as long as the total wattage does not exceed 77W

CLASS 1 LOW VOLTAGE - SUGGESTED POWER SUPPLIES

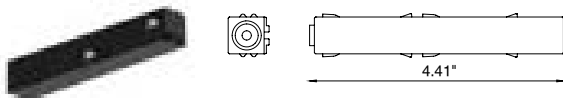
For other power supply options consult factory (Requires J-Box mounting and J-Box cover ACC0036)

Part Number	Description	Input/Output	# of Fixtures
PPLT00672	Non-Dim	120-277VAC to 48VDC, 320W, Class 1	Any combo of fixtures may be used as long as the total wattage does not exceed 320W

For use with these track heads, pendants and linear fixtures



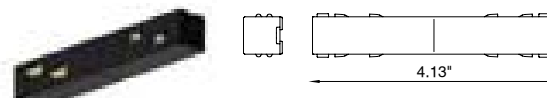
ACCESSORIES



BUT048A00002B1

Power Head - to be used at the beginning

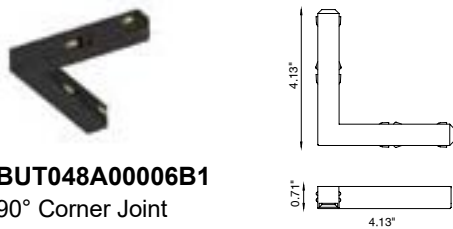
Must choose one power feed



BUT048A00004B1

Through Joint

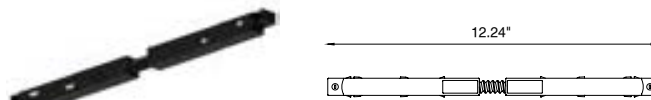
Used to connect two tracks and to guarantee the supply of current.



BUT048A00006B1

90° Corner Joint

Used to connect two tracks joined at 90° and to guarantee that current reaches the corners. Light points cannot be installed in the corners.



BUT048A00008B1

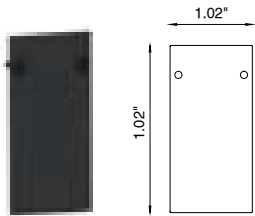
Flexible Joint

Used to connect two tracks installed on different surfaces (ceiling-wall) or to create different angles from 90° and to guarantee power supply. Light points cannot be installed in the corners.

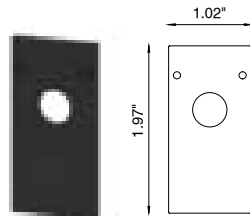
Job Name/Date:

Fixture Type Designation:

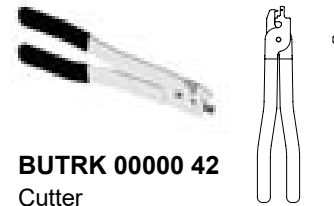
ACCESSORIES (continued)



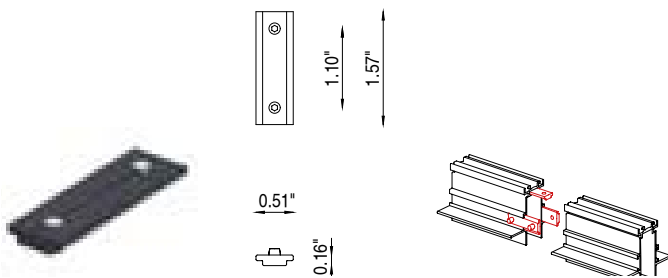
BUT048 A 00012 B1
Closure Plug



BUT048 A 00016 B1
Holed Closure Plug

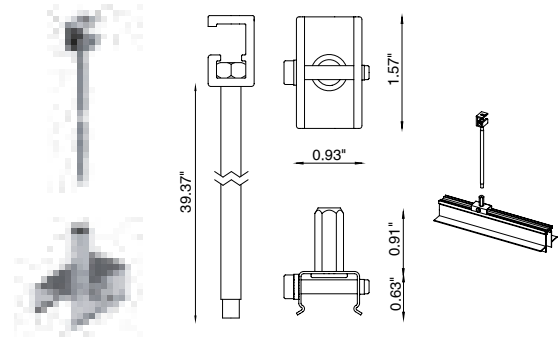


BUTRK 00000 42
Cutter



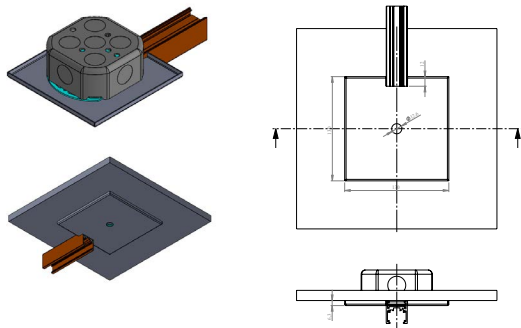
BUT048 A 00023 B1
Reinforcement Bracket

Reinforcement bracket used to give rigidity to the joint of the tracks and to prevent mechanical vibrations. We recommend using three brackets at every track joint.



BUT048 A 00025 00
Suspension Kit

The kit is to be used when the B-INSIDE track is fitted before installing the plaster panel. Kit composed of ceiling fixture bracket, M4 nut, threaded M6 bar 39.4" (1000 mm) long, suspension clip in steel with M6 screw coupling.



ACC0036

J-Box Cover for 48V Track
For Class 2 Low Voltage

High Voltage requires J-Box Cover and Connection to J-Box.

Job Name/Date:

Fixture Type Designation: