

B30 TRACK

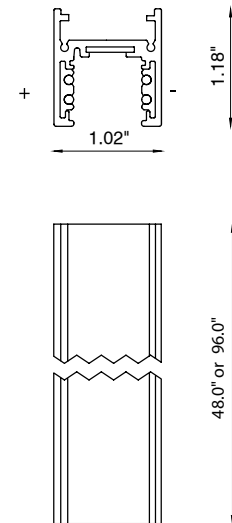
B30 is a surface mounted, low voltage track lighting system for interiors, used for spotlights, pendants and linear installations. Track and structures can be managed by non-dim remote control systems. The length of the profile is between 48" or 96", extruded in aluminum with two white and black finishes, it is fitted with 48V wires.



TECHNICAL DATA

Wattage / Input	Based on head, pendant or linear luminaire
Power Supply	Remote 48VDC, not included. See page 2.
Dimming	See track heads for dimming protocol
Construction	Body: Aluminum
CCT	See track head, pendant, linear datasheets
CRI	>90
Mounting	Recessed, Surface or Suspended
Finishes	White RAL 9016, Black RAL 9005
Lengths	48.0" or 96.0"
Circuits	2 x ±15 A · 48 VDC 1 x ±15 A · 48 VDC + D+/D-
Notes	<p>B30 is a 48V powered electrical system and limited to a maximum current of 15 A.</p> <p>The supply connectors, plugs and further fixture accessories must be ordered separately.</p> <p>Any 90° connector must be ordered separately to ensure electric continuity in the corners.</p> <p>Light points cannot be installed in the corners.</p> <p>For ceiling or wall mounting, it's possible to fix the rail directly with self-tapping countersunk head screws, while the suspended installation requires the purchase of the specific kit.</p>

Fixture Dimensions



ORDERING INFORMATION

Example: BUT048T01W11071.US. Power Supplies / Accessories ordered separately.

BUT048T01		1		1	US
Model No.	Finish		Length		
BUT048T01	W1 - White	1	07 - 48.0"	1	US
	B1 - Black		08 - 96.0"		

Job Name/Date:

Fixture Type Designation:

CLASS 2 LOW VOLTAGE - SUGGESTED POWER SUPPLIES

For other power supply options consult factory.

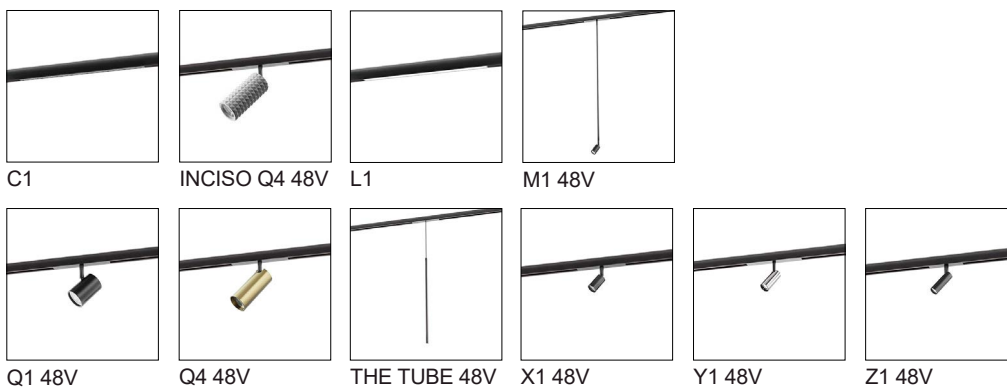
Part Number	Description	Input/Output	# of Fixtures
PPLT00577	Non-Dim	120-277VAC to 48VDC, 96W, Class 2	Any combo of fixtures may be used as long as the total wattage does not exceed 77W

CLASS 1 LOW VOLTAGE - SUGGESTED POWER SUPPLIES

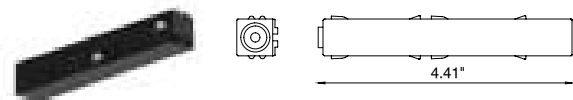
For other power supply options consult factory (Requires J-Box mounting and J-Box cover ACC0036)

Part Number	Description	Input/Output	# of Fixtures
PPLT00672	Non-Dim	120-277VAC to 48VDC, 320W, Class 1	Any combo of fixtures may be used as long as the total wattage does not exceed 320W

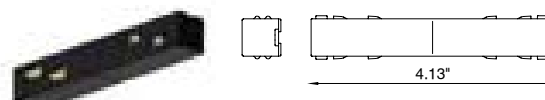
For use with these track heads, pendants and linear fixtures



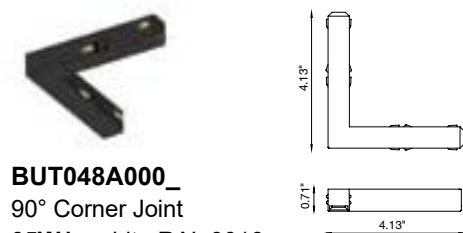
ACCESSORIES



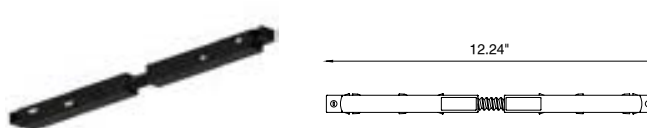
BUT048A000_
Power Head - to be used at the beginning
Must choose one power feed
01W1 - white RAL 9016
02B1 - black RAL 9005



BUT048A000_
Through Joint
03W1 - white RAL 9016
04B1 - black RAL 9005
Used to connect two tracks and to guarantee the supply of current.



BUT048A000_
90° Corner Joint
05W1 - white RAL 9016
06B1 - black RAL 9005
Used to connect two tracks joined at 90° and to guarantee that current reaches the corners. Light points cannot be installed in the corners.

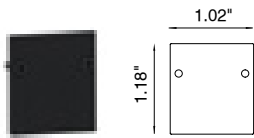


BUT048A000_
Flexible Joint
07W1 - white RAL 9016
08B1 - black RAL 9005
Used to connect two tracks installed on different surfaces (ceiling-wall) or to create different angles from 90° and to guarantee power supply. Light points cannot be installed in the corners.

Job Name/Date:

Fixture Type Designation:

ACCESSORIES (continued)

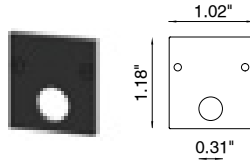


BUT048 A 000_

Closure Plug

09 W1 - white RAL 9016

10 B1 - black RAL 9005

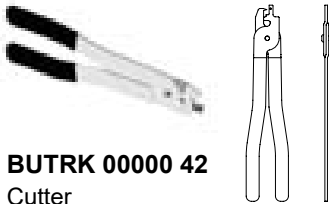


BUT048 A 000_

Holed Closure Plug

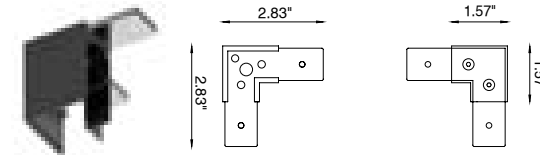
13 W1 - white RAL 9016

14 B1 - black RAL 9005



BUTRK 00000 42

Cutter



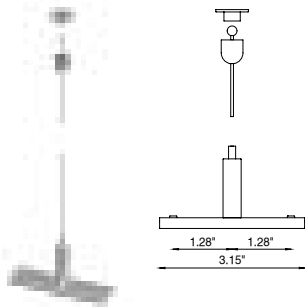
BUT048 A 000_

90° Corner Joint Cover

19 W1 - white RAL 9016

20 B1 - black RAL 9005

The 90° corner joint allows the mechanical connection of the tracks, forming a 90° angle, without cutting them at 45°.



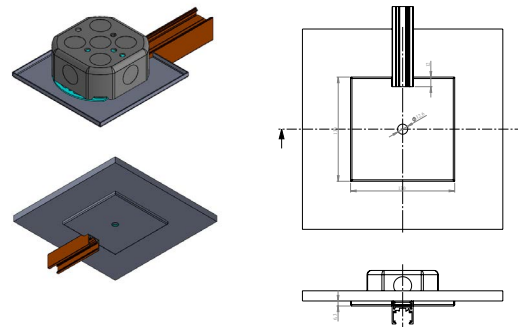
BUT048 A 00024 00

Suspension & Junction Kit

21 W1 - white RAL 9016

22 B1 - black RAL 9005

Kit composed of metallic spherical rose, steel cable $\varnothing 0.06"$ (1.5 mm) and automatic screw coupling attached to the bracket. Cable length 9.84' (3 m) (on request different lengths are available). Position the fixture kit with an inter-axis of 17.72" (450 mm) for a max capacity of 110.2 lbs, or 35.43" (900 mm) for max 55.1 lbs.



ACC0036

J-Box Cover for 48V Track

For Class 2 Low Voltage

High Voltage requires J-Box Cover and Connection to J-Box.

Job Name/Date:

Fixture Type Designation: