



**INSTRUCTIONS PERTAINING TO RISK OF FIRE OR INJURY TO PERSONS. READ ALL INSTRUCTIONS. IMPORTANT SAFETY INSTRUCTIONS. SAVE THESE INSTRUCTIONS.**

**DANGER - RISK OF SHOCK - DISCONNECT POWER BEFORE INSTALLATION! Please read all instructions before installation.**

- Keep these instructions for future reference.
- Must be installed by a qualified electrician in accordance with national and local standards. Designplan is not responsible for fixtures installed without regard to these standards.
- Unauthorized alterations or tampering of product voids warranty.
- The main power connection must be in accordance with local electrical codes.
- Suitable for INDOOR applications.
- DO NOT INSTALL INSULATION WITHIN 3.0" (76 mm) OF ANY PART OF THE LUMINAIRE.

**ATTENTION:** It is the contractor's responsibility to caulk around the edges between the fixture and the mounting surface, to satisfy wet label requirements.



## Maintenance

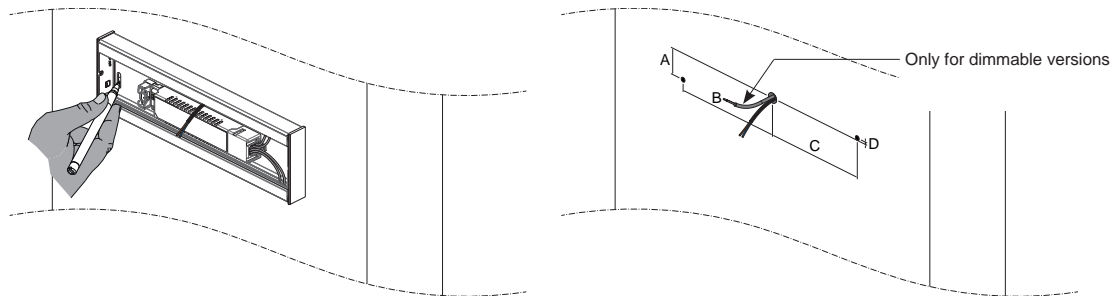
Scheduled maintenance must be carried out once a year on all lighting devices, regardless of appliance class and type of use. It must include the following operations:

- Periodically clean fixtures to remove dirt from gratings and screw heads.
- Check tightness of screws on various parts of the device.
- Check that all cable glands and cables are intact and tight. Check that the glass or plastic lens is intact, and replace it if broken or damaged.
- The internal components such as the ballast, driver, washers and screws must not show clear signs of oxidation or rust. Clear traces of rust and oxidation will indicate the presence of water inside the device.
- In the case of damage, the components must be replaced by original components or spare parts.



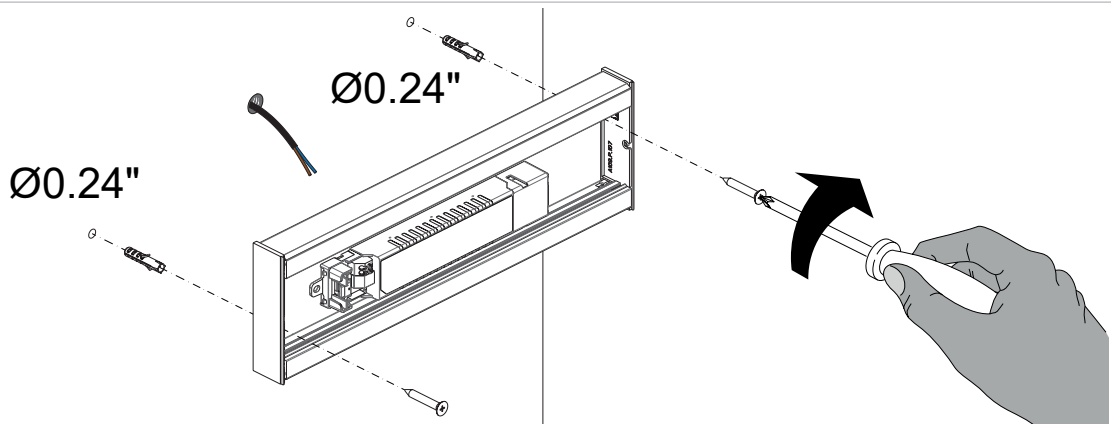
# BERICA 3.0, 3.1, 3.2

1

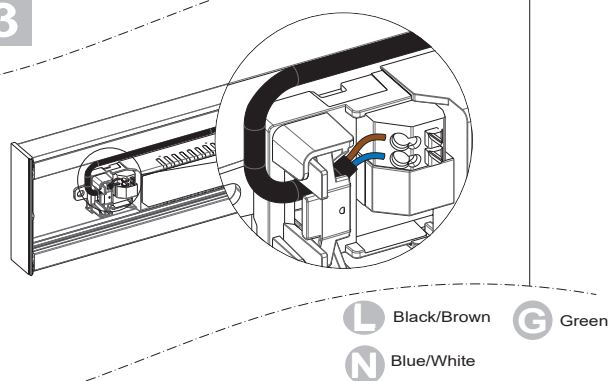


Model	A (in)	B (in)	C (in)	D (in)
Berica X.0	1.34"	1.26"	0.98"	0.12"
Berica X.1	1.34"	5.59"	5.31"	0.12"
Berica X.2	1.34"	11.10"	10.83"	0.12"

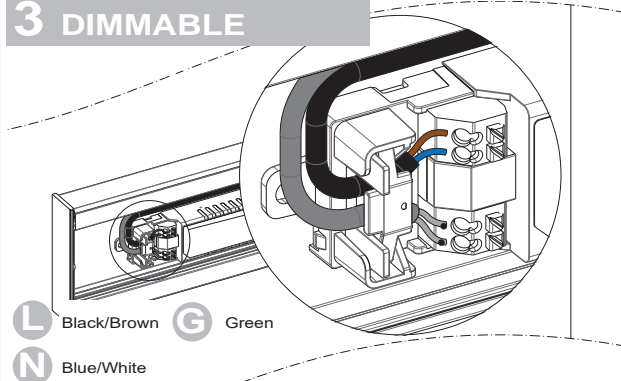
2



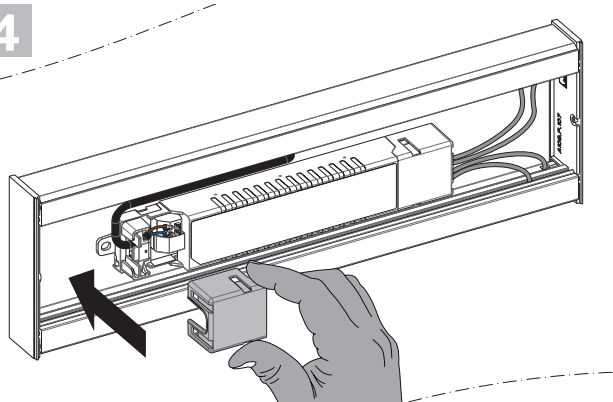
3



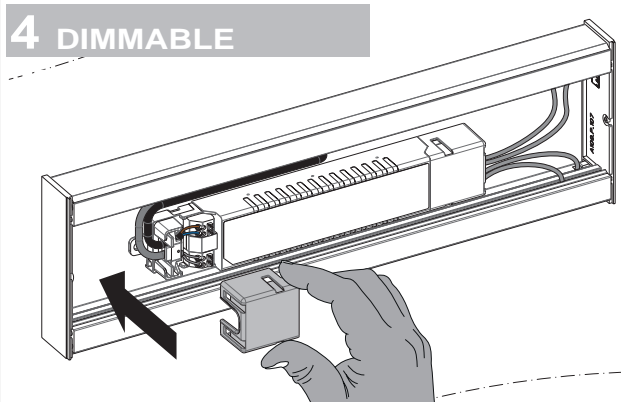
3 DIMMABLE



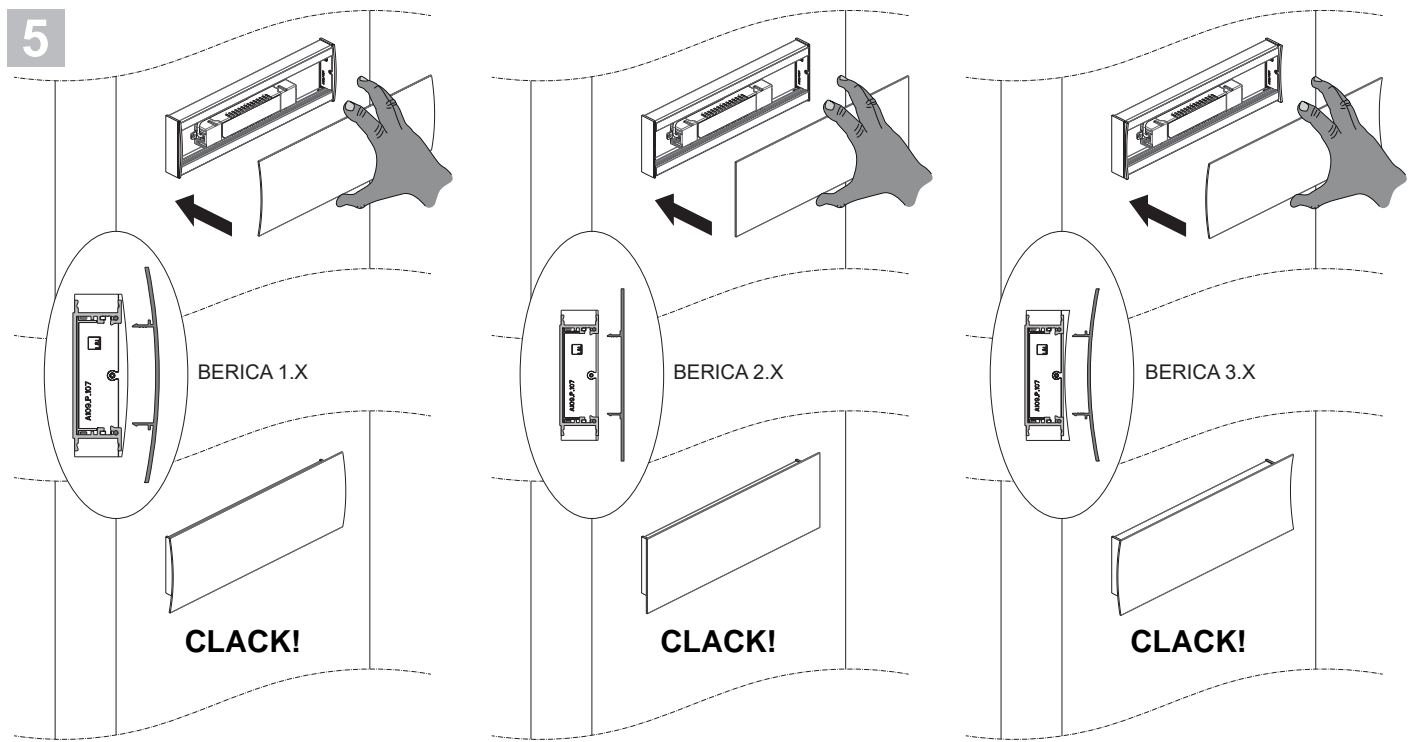
4



4 DIMMABLE



# BERICA 3.0, 3.1, 3.2



Only use power cables with an outer sheath. Do not use individual wires in input. Only use flexible cables with an appropriate diameter (such as H05RN-F 2x1.0 Ø7 mm + H05RN-F 2x0.75 Ø6.3 mm), to provide additional insulation in order to maintain the insulation class of the appliance.