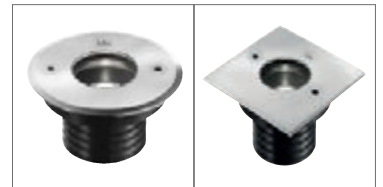




INSTRUCTIONS PERTAINING TO RISK OF FIRE OR INJURY TO PERSONS. READ ALL INSTRUCTIONS. IMPORTANT SAFETY INSTRUCTIONS. SAVE THESE INSTRUCTIONS.

DANGER - RISK OF SHOCK - DISCONNECT POWER BEFORE INSTALLATION! Please read all instructions before installation.

- Keep these instructions for future reference.
- Must be installed by a qualified electrician in accordance with national and local standards. Designplan is not responsible for fixtures installed without regard to these standards.
- Unauthorized alterations or tampering of product voids warranty.
- The main power connection must be in accordance with local electrical codes.
- Suitable for OUTDOOR applications.



BRIGHT 2.4 / BRIGHT 2.5



IP68 IP69 IK10

Electrical Connections:

- LED lights must be **connected in series** respecting polarities.
- **CHOOSE POWER SUPPLY ACCORDINGLY.** Please consider the voltage through which fixtures are fed as well as the max power consumption.
- **Connect power only if all fixtures are connected.**
- The power supplies **MUST** be installed in aerated rooms, far from heat sources. Overworking or lack of air circulation will not permit natural dissipation.
- The electronic power supply is current-stable, therefore it partially compensates the voltage-drop problems related to the cable length; we suggest not to exceed 100ft.
- Use only Class 2 type electronic power supply.
- Never use switches on secondary circuit.

ATTENTION: For In-Grade - It is the contractor's responsibility to seal the conduit with "Great Stuff" aerosol seal that prevents water and moisture penetration for ultimate protection. Contractor **MUST** use gel-filled wire nuts.

Maintenance

Scheduled maintenance must be carried out once a year on all lighting devices, regardless of appliance class and type of use. It must include the following operations:

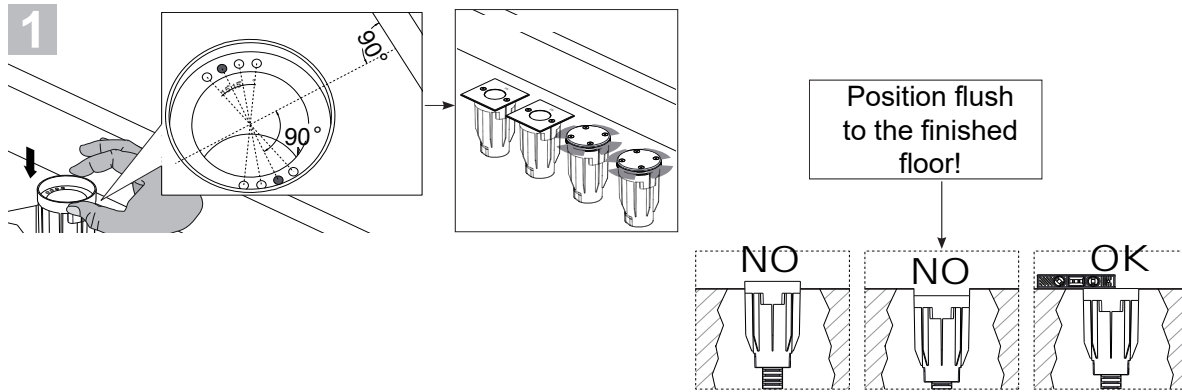
- Periodically clean fixtures to remove dirt from gratings and screw heads.
- Check tightness of screws on various parts of the device.
- Check that all cable glands and cables are intact and tight. Check that the glass or plastic lens is intact, and replace it if broken or damaged.
- The internal components such as the ballast, driver, washers and screws must not show clear signs of oxidation or rust. Clear traces of rust and oxidation will indicate the presence of water inside the device.
- In the case of damage, the components must be replaced by original components or spare parts.

BRIGHT 2.4, 2.5

5W, 7W, REMOTE 24VDC, 5W(RGB), REMOTE 500mA

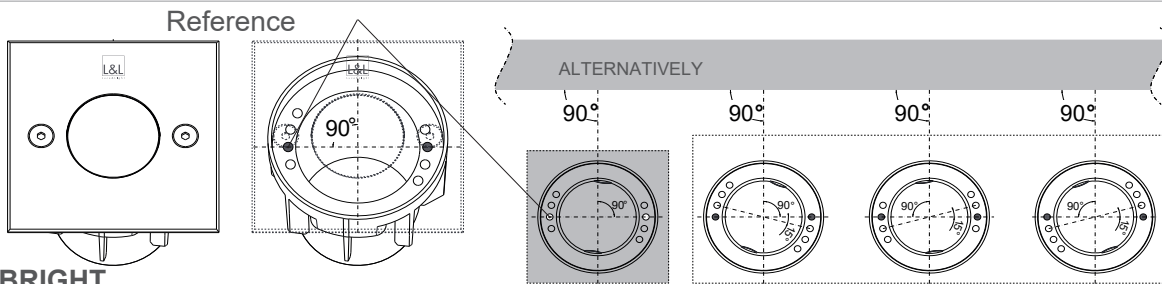
Housing Installation (WC0100, WC0103)

Bright 2.1 / 2.4 / 2.5 / 2.7 / 4.0 / 4.6



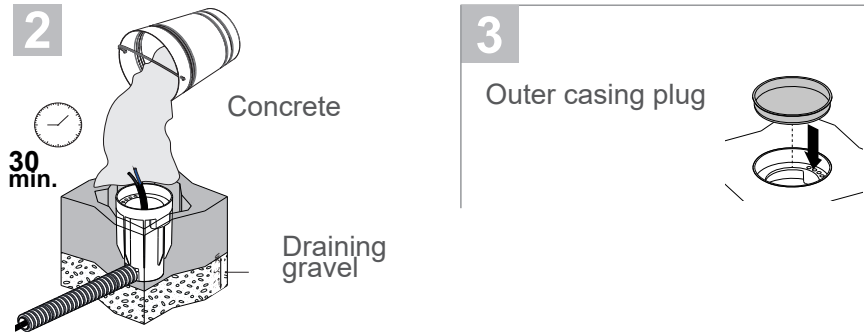
LAMPS ALIGNMENT

ALTERNATIVELY



BRIGHT

Use 7-12" of drainage gravel - check functionality: fill tube with water and verify full drainage within 30 min. If water remains, please utilize a different drainage system that functions properly. Contractor to seal the conduit with "Great Stuff" aerosol seal.



WC0100
Outer Casing
For in-grade use



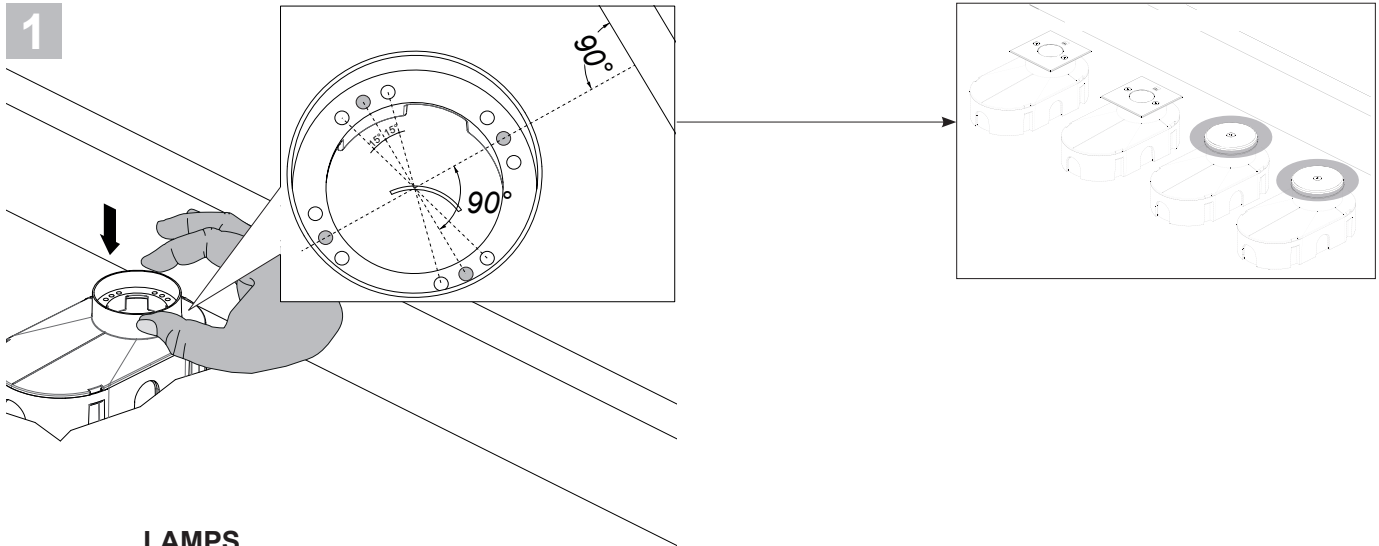
WC0103
Outer Casing
For in-grade use

BRIGHT 2.4, 2.5

5W, 7W, REMOTE 24VDC, 5W(RGB), REMOTE 500mA

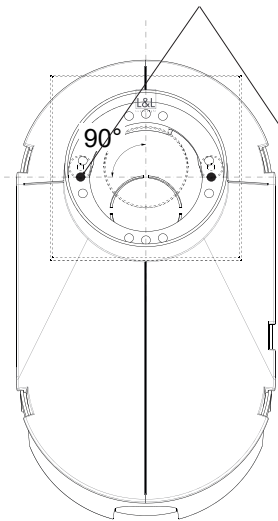
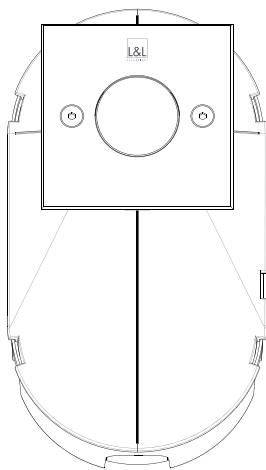
Housing Installation (WC0150)

Bright 2.4 / 2.5 / 2.9 / 4.7



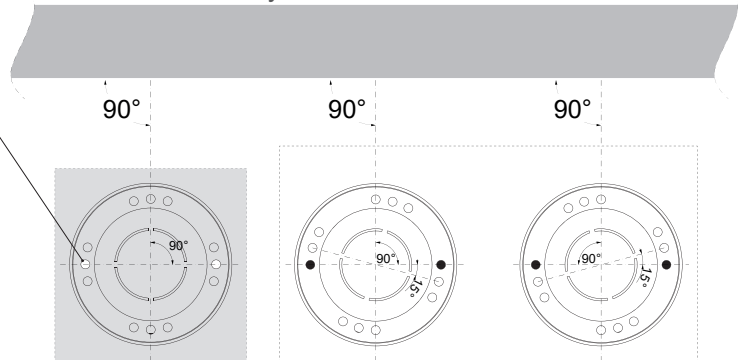
**LAMPS
ALIGNMENT**

Reference

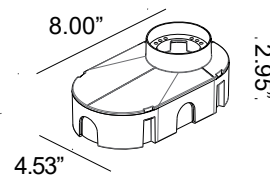


BRIGHT

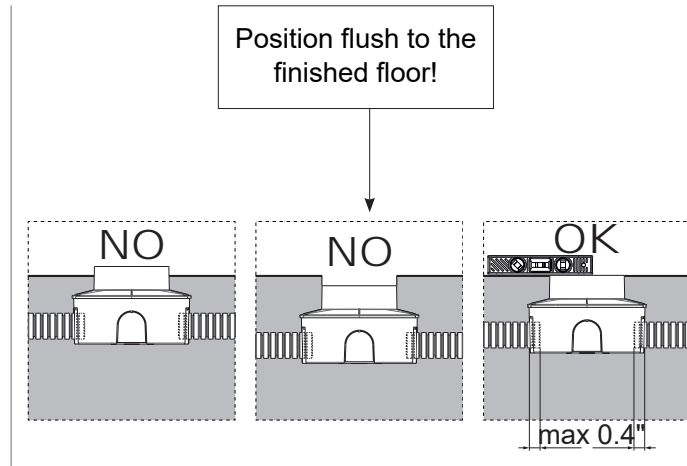
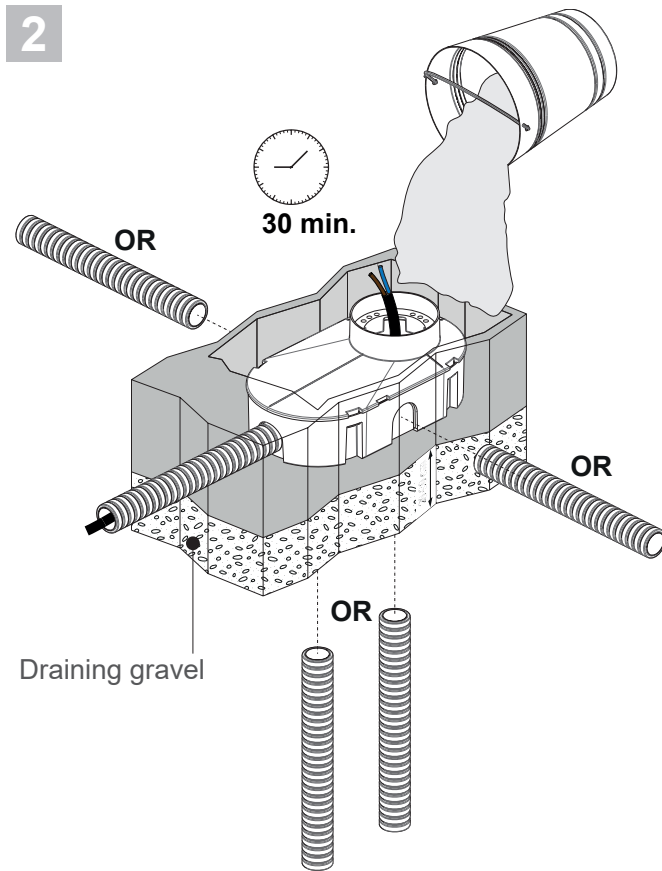
Alternatively



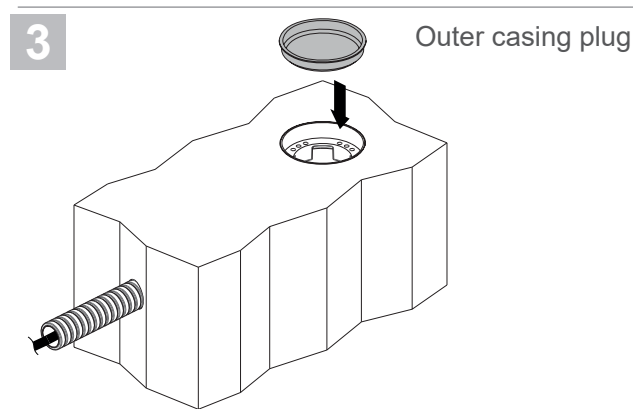
WC0150
Outer Casing
For in-grade use



Housing Installation (WC0150)

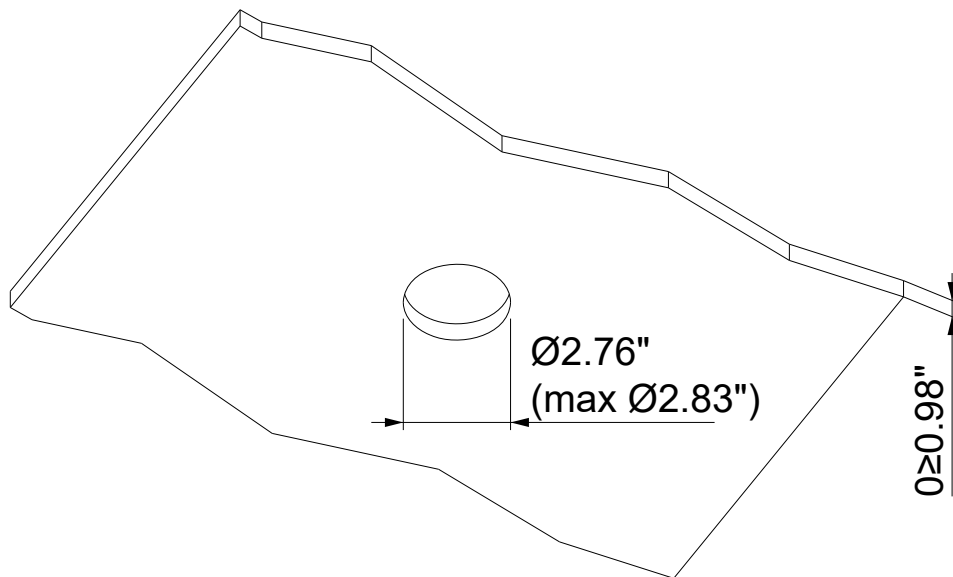


Use 7-12" of drainage gravel - check functionality: fill tube with water and verify full drainage within 30 min. If water remains, please utilize a different drainage system that functions properly. Contractor to seal the conduit with "Great Stuff" aerosol seal.

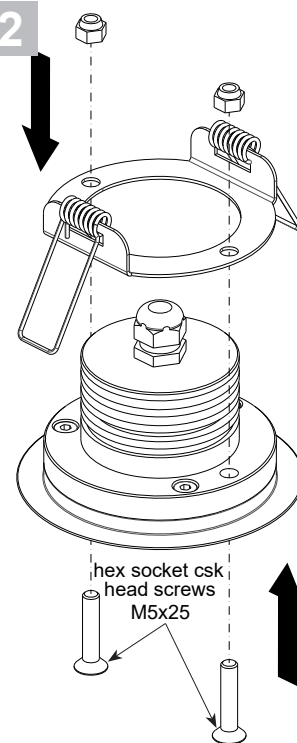


Accessory Installation (WG0100)

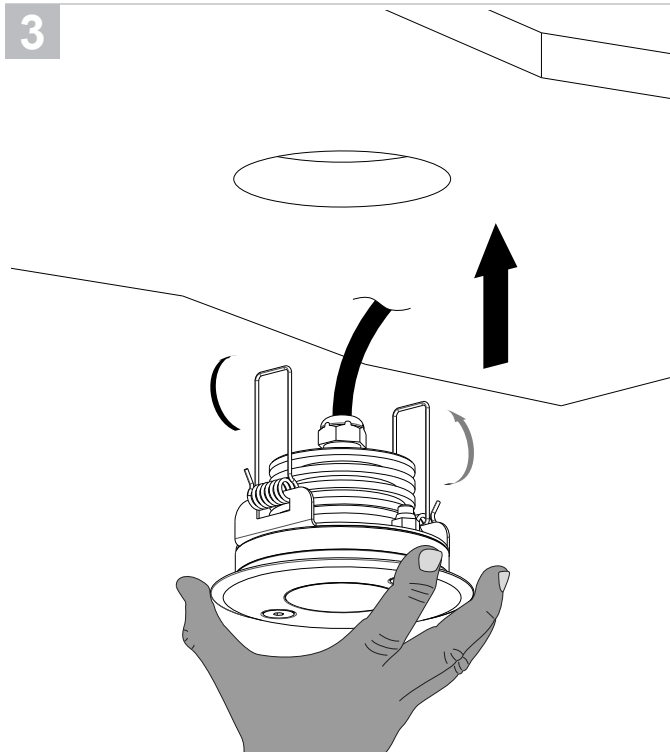
1



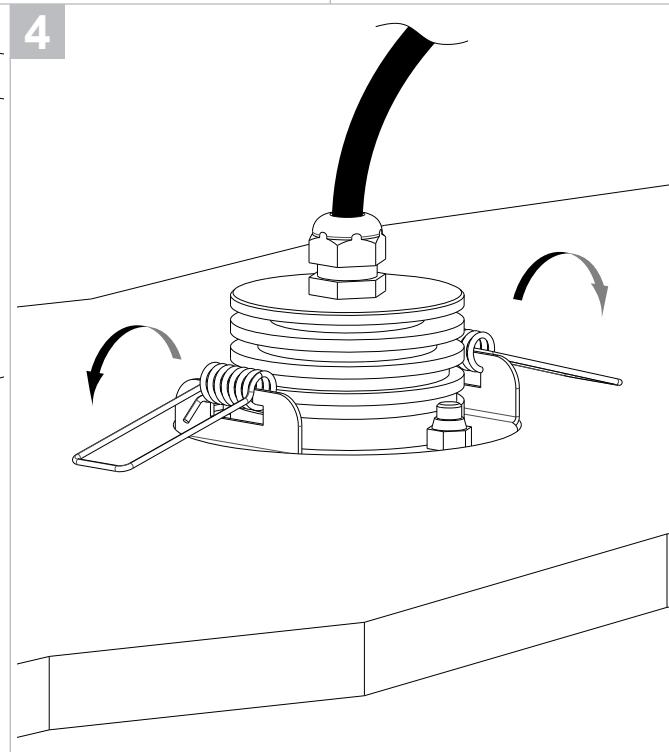
2



3



4

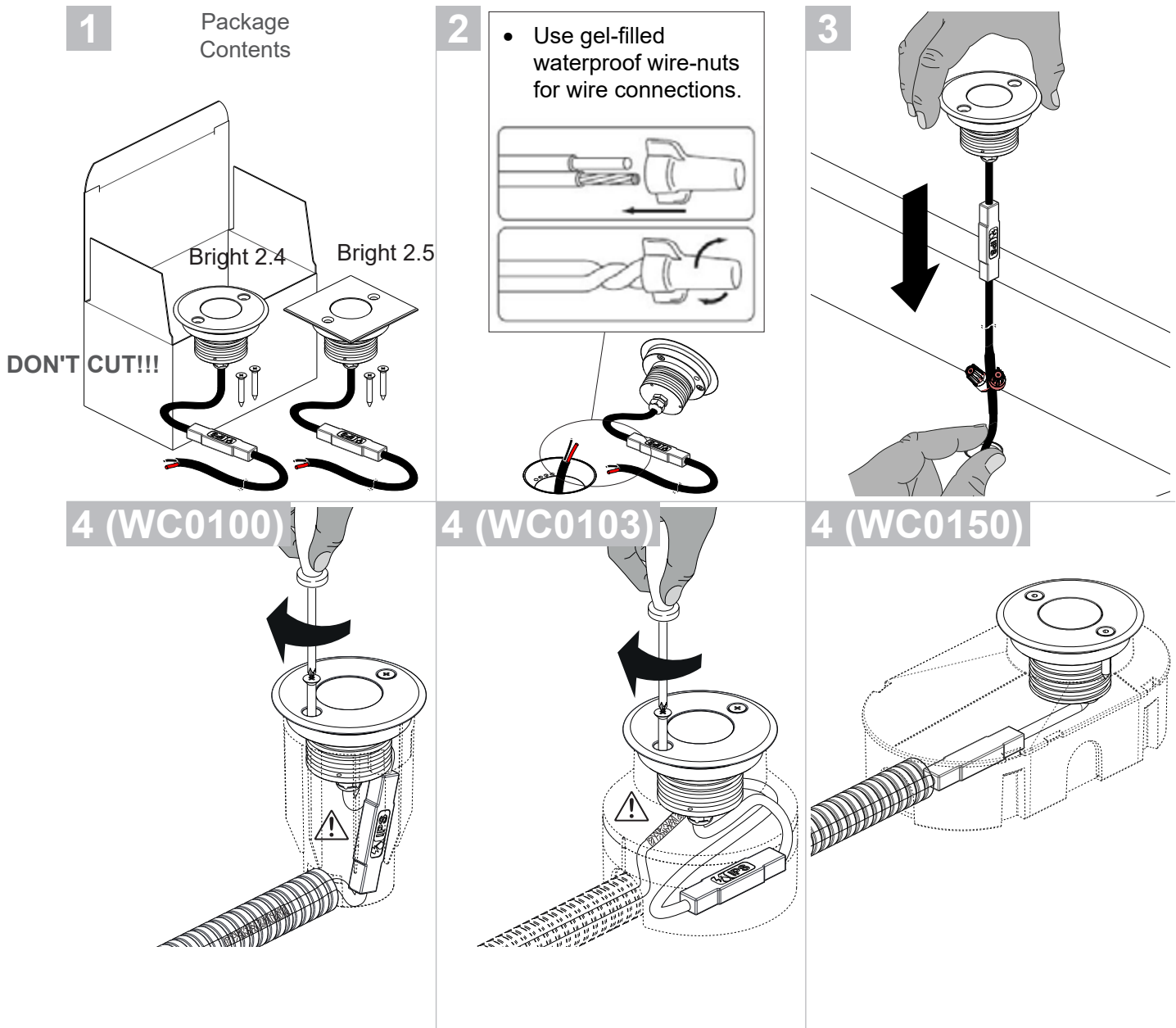


BRIGHT 2.4, 2.5

5W, 7W, REMOTE 24VDC, 5W(RGB), REMOTE 500mA

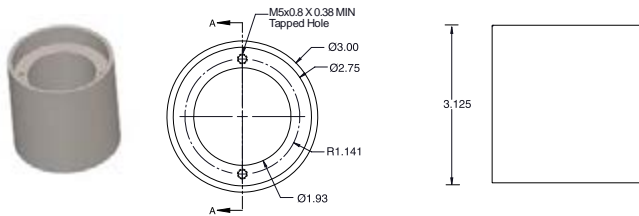
Fixture Installation

- It is the contractor's responsibility to install Remote Driver in a suitable electrical enclosure.
- It is the contractor's responsibility to caulk around the edges between the fixture and the mounting surface, to satisfy wet label requirements.



Use corrugated conduit \varnothing .787" minimum (recommended \varnothing .98")

In-Grade Housing Installation (PPMP03088)



PPMP03088

Core Drilled Application Sleeve

Drill pilot hole for core drilled housing through concrete and into soil below

Create appropriate pathways through soil for running wires from fixtures to drivers

Apply epoxy to sides of newly drilled opening, insert core drilled housing into pilot hole and make level

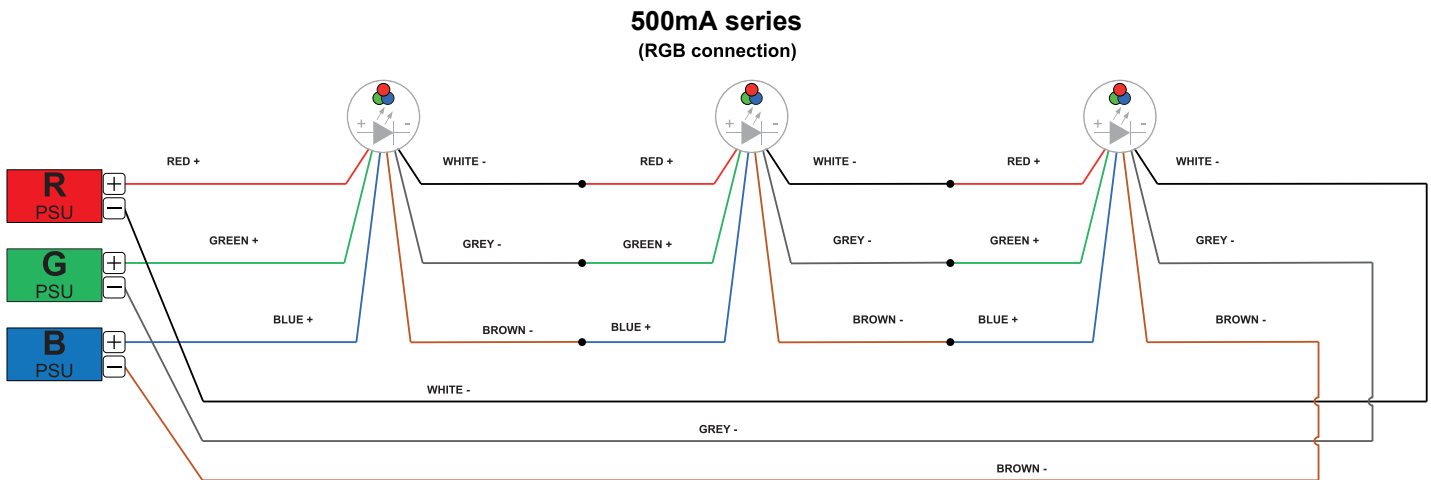
Insert fixture and guide wires through pathways to driver. Tighten the fixture screws if applicable.

- It is the contractor's responsibility to create appropriate underground pathways for wiring.

BRIGHT 2.4, 2.5

5W, 7W, REMOTE 24VDC, 5W(RGB), REMOTE 500mA

WIRING DIAGRAM



CONSTANT
CURRENT

FOR RGB VERSION ONLY: The individual lamps must be connected in series.
Only power up the system once all the lamps have being connected.

- LED lights work at constant current. When choosing a power supply unit, you need to consider the current by which the LEDs are driven and their maximum power consumption.
- The electronic power supply is constant current, so to a certain extent it automatically compensates the voltage drop associated with cable length; however, we advise not exceeding 100 feet.
- On the power system, install a surge protection device to reduce the intensity of any voltage spikes, to protect the lighting fixtures from the risk of damage.
- Fixture NOT suitable for covering with thermally insulating material.