

BASIC ROUND

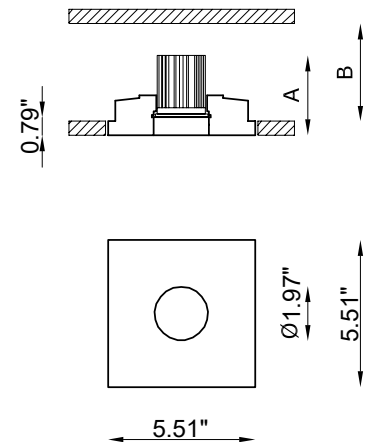
Basic Round is a totally disappearing indoor recessed luminaire made of Coral® suitable for installation on plasterboard or brick ceilings. It has a round aperature with a 40° optic. Light source is recessed 0.79".



TECHNICAL DATA

Wattage / Input	10W (500mA)
Power Supply	Remote, not included. See page 2.
Construction	Body: Coral®
CCT	3000K (2700K, 4000K on request)
CRI	>90
Delivered Lumens	1050 lm
Efficacy	105 lm/W
Optics	40°
Finishes	Coral®
LED Source	COB Professional LED
Fixture Dimensions	5.51" l x 5.51" w x 3.15" h
Cut-out Dimension	5.91" x 5.91"
Aperature	Ø1.97"
Fixture Weight	1.76 lbs
IP Rating	IP20

Fixture Dimensions



The body is made of Coral® a unique patented composite material made from natural minerals and aggregating elements.

Additionally, Coral® is:

- Extreme resistance to high temperatures and thermal shock.
- Highly impervious to knocks and scratches.
- Can easily be decorated with any type of paint (water or spirit based).
- Made of non-toxic materials and is non-allergic.
- Does not produce fumes, even in case of fire.
- Naturally dust repellent.

ORDERING INFORMATION

Example: BU3123.Z.00.US. Accessories / Power Supplies ordered separately.

BU3123.Z	00	US
Model No. BU3123.Z	Finish 00 - Coral®	US

Job Name/Date:

Fixture Type Designation:

SUGGESTED POWER SUPPLIES

500mA

Part Number	Description	Input/Output	# of Fixtures
PPLT00187	0-10V Dimming to 10%	120-277VAC to 500mA, 10W, Class 2	1-1
PPLT00469	Phase Dim (120V only)	120VAC to 500mA, 14W, Class 2	1-1
PPLT00467-P	0-10V Dimming to 1%	120-277VAC to 500mA, 50W, Class 2	1-2
PPLT00538-P	0-10V Dimming to 0.1%	120-277VAC to 500mA, 100W, Class 2	1-8

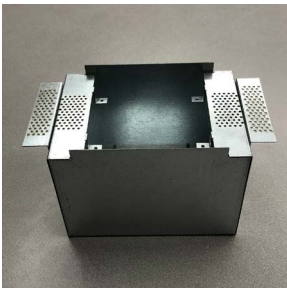
Suggested Lutron Compatible

Part Number	Option	Lutron SKU	Dim Range	Description	Input/Output	# of Fixtures
PPLT00259	L3DAE / L3DA3W	L3DA	100%-1%	Hi-Lume™ 1% EcoSystem™ or 1% 3-Wire LED Driver	120-277VAC to 500mA, 10W, Class 2	1-1
PPLT00195	L3DAE / L3DA3W	L3DA	100%-1%	Hi-Lume™ 1% EcoSystem™ or 1% 3-Wire LED Driver	120-277VAC to 500mA, 19W, Class 2	1-1
PPLT00180	L3DAE / L3DA3W	L3DA	100%-1%	Hi-Lume™ 1% EcoSystem™ or 1% 3-Wire LED Driver	120-277VAC to 500mA, 27W, Class 2	2-2

For other power supply options consult factory.

ACCESSORIES

Installation



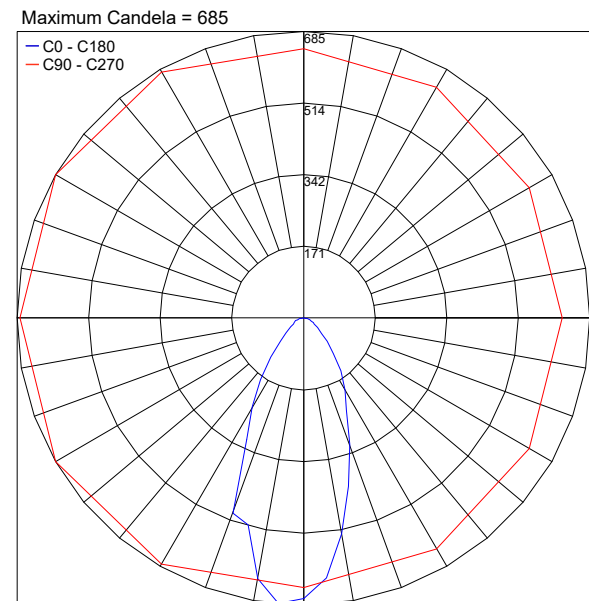
BR3123-LT
IC Rated Back Box

BR3123-LT-C
Chicago Plenum Back Box

BR3123-LT-PC
Concrete Pour Back Box

PHOTOMETRIC DATA

Note all Photometry is 3000K



PHOTOMETRIC FILENAME : BASIC ROUND BU3123.Z 10W 3000K 500MA.IES

Job Name/Date:

Fixture Type Designation: