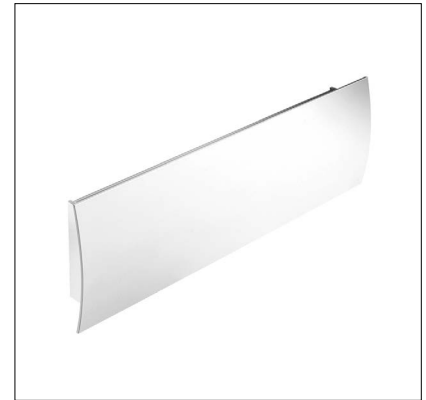


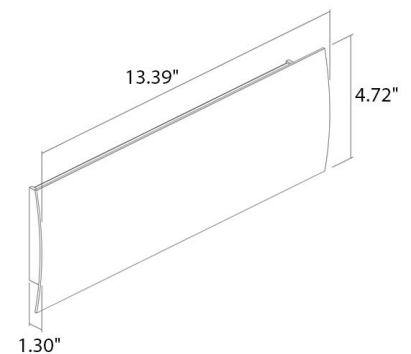
# BERICA 1.1

Berica is a family of double beam, indoor, wall-mounted fixtures that can discreetly blend into the wall on which it is installed - or can disappear completely if the primer finish is chosen. Berica is available in 3 sizes and 3 different styles of cover - convex, flat and concave. Berica 1.1 is a convex, 13.4" version available in 3 color temperatures with an integral power supply.



ADA Compliant

Fixture Dimensions



## TECHNICAL DATA

<b>Wattage</b>	27W
<b>Power Supply</b>	Integral 120VAC & 277VAC - 0-10V Dimming Integral 120VAC Only - Triac and ELV Dimming
<b>Construction</b>	Body/Cover: Anticorodal Aluminum
<b>CCT</b>	2700K, 3000K, 4000K
<b>CRI</b>	>90
<b>Delivered Lumens</b>	1312 lm per beam (3000K, 43°x96°)
<b>Efficacy</b>	48.6 lm/W per beam (3000K, 43°x96°)
<b>Optics</b>	4 Standard, see below
<b>Finishes</b>	5 Standard, see below
<b>Fixture Dimensions</b>	13.39" l x 4.72" w x 1.30" h
<b>Fixture Weight</b>	1.98 lbs
<b>LED Source</b>	64 Mid Power LEDs
<b>Lumen Maintenance</b>	L80, B10 >50,000hrs (Ta 25°C)
<b>Color Consistency</b>	3-step MacAdam
<b>Operating Temp.</b>	32°F to +113°F
<b>IP Rating</b>	IP40

## ORDERING INFORMATION

Example: **BB111010005KW8-1**.

BB1110	1000				-	
Model #	CRI	CCT	Optics	Finish		Driver
BB1110	1000 - CRI>90	F - 2700K 5 - 3000K 9 - 4000K	LW - 43°x96° KW - 54°x90° 0A - Asymmetrical 0D - Diffuse	Z - Antique Bronze 6 - Antique White K - Matte Alum. Gray 8 - Primer B - White		1 - Integral 120VAC & 277VAC - 0-10V Dimming 2 - Integral 120VAC Only - Triac and ELV Dimming

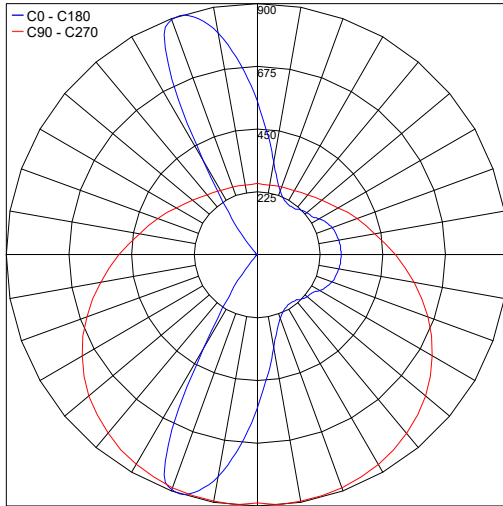
Job Name/Date:

Fixture Type Designation:

## PHOTOMETRIC DATA

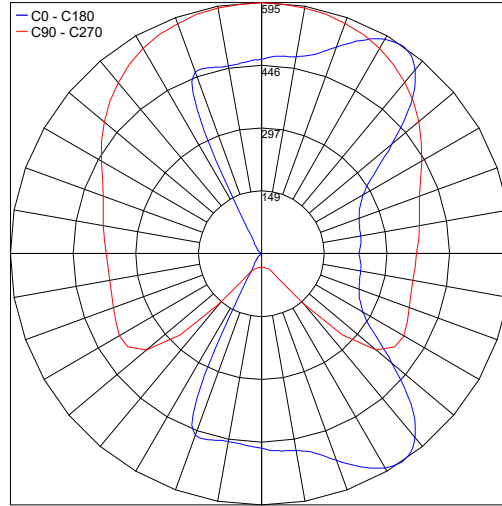
Note all Photometry is 3000K

Maximum Candela = 899.6



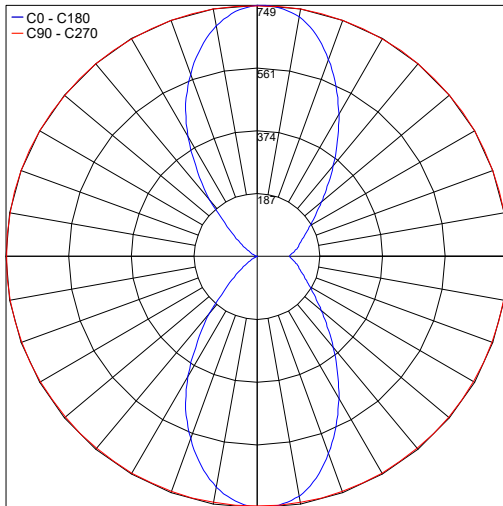
PHOTOMETRIC FILENAME : BERICA 1.1 A [3000K 27W 120-277VAC].IES

Maximum Candela = 594.9



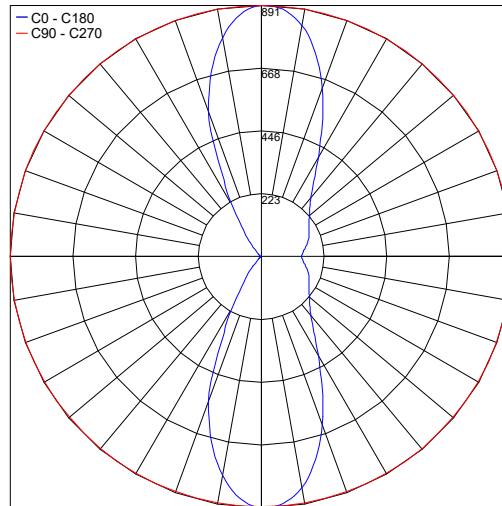
PHOTOMETRIC FILENAME : BERICA 1.1 D [3000K 27W 120-277VAC].IES

Maximum Candela = 748.6



PHOTOMETRIC FILENAME : BERICA 1.1 K 54°X90° [3000K 27W 120-277VAC].IES

Maximum Candela = 891.3



PHOTOMETRIC FILENAME : BERICA 1.1 L 43°X96° [3000K 27W 120-277VAC].IES

Job Name/Date:

Fixture Type Designation: