

Berica is a family of single- or double-beam, indoor, wall-mounted fixtures that can discreetly blend into the wall on which it is installed - or can disappear completely if the primer finish is chosen. Berica is available in 3 sizes and 3 different styles of cover - convex, flat and concave. Berica 3.2 is a concave, 24.4" version available in 3 color temperatures with an integral power supply.

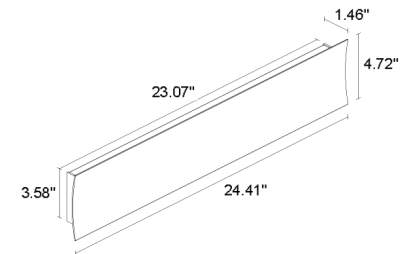


ADA Compliant

TECHNICAL DATA

Wattage / Input	27W per beam
Power Supply	Integral 120-277VAC (0-10V Dimming)
Construction	Body/Cover: Anticorodal Aluminum
CCT	2700K, 3000K, 4000K
CRI	>90
Delivered Lumens	2728 lm per beam (3000K, Diffuse)
Efficacy	101.0 lm/W per beam (3000K, Diffuse)
Optics	4 Standard, see below
Finishes	5 Standard, see below
Fixture Dimensions	24.41" l x 4.72" w x 1.46" h
Fixture Weight	3.53 lbs
LED Source	64 Mid Power LEDs per beam
Lumen Maintenance	L80, B10 >50,000hrs (Ta 25°C)
Color Consistency	3-step MacAdam
Operating Temp.	32°F to +113°F
IP Rating	IP40

Fixture Dimensions



ORDERING INFORMATION

Example: **BB321010005LW6**.

	1000			
Model #	CRI	CCT	Optics	Finish
BB3210 - Double Beam	1000 - CRI>90	F - 2700K	LW - 45°x96°	Z - Antique Bronze
BB3211 - Single Beam		5 - 3000K	KW - 59°x90°	6 - Antique White
		9 - 4000K	0A - Asymmetrical	K - Matte Alum. Gray
			0D - Diffuse	8 - Primer
				B - White

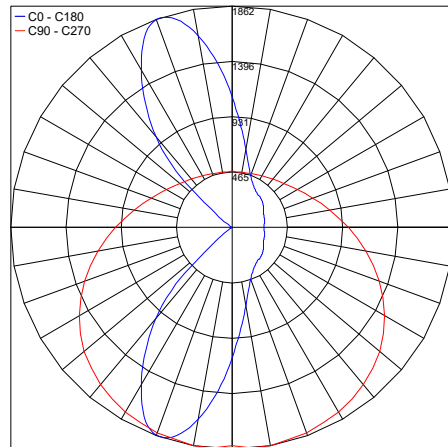
Job Name/Date:

Fixture Type Designation:

PHOTOMETRIC DATA

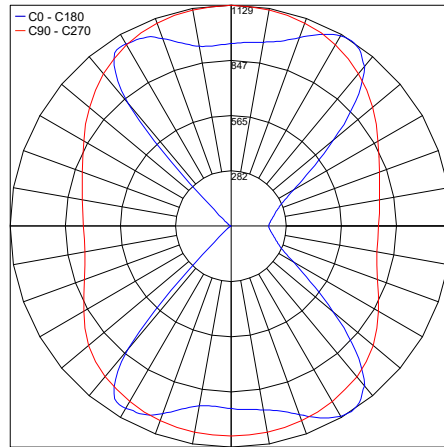
Note all Photometry is 3000K

Maximum Candela = 1861.7



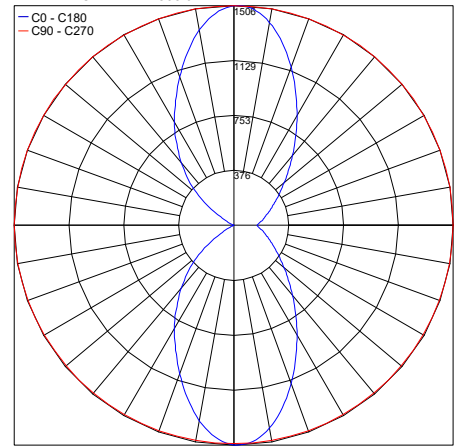
PHOTOMETRIC FILENAME : BERICA 3.2 A Double [3000K 54W 120-277VAC].IES

Maximum Candela = 1129.3



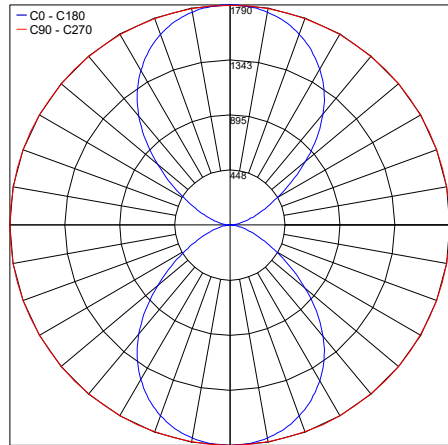
PHOTOMETRIC FILENAME : BERICA 3.2 D Double [3000K 54W 120-277VAC].IES

Maximum Candela = 1505.9



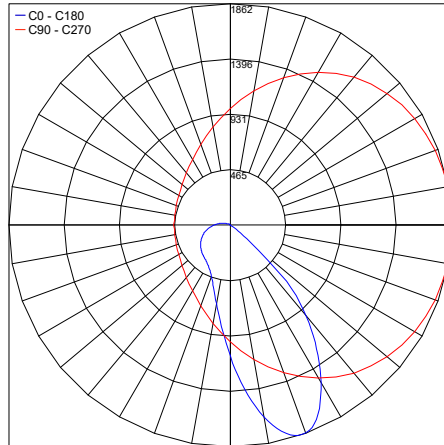
PHOTOMETRIC FILENAME : BERICA 3.2 Double K 59°X90° [3000K 54W 120-277VAC].IES

Maximum Candela = 1790.2



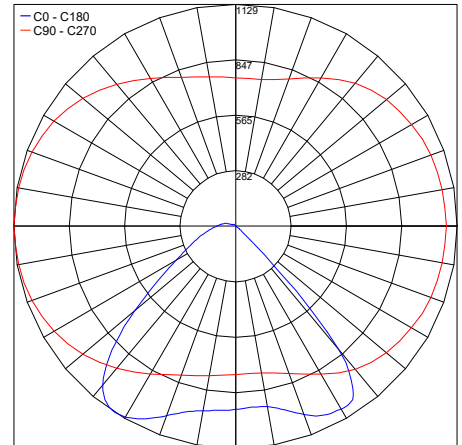
PHOTOMETRIC FILENAME : BERICA 3.2 Double L 45°X96° [3000K 54W 120-277VAC].IES

Maximum Candela = 1861.7



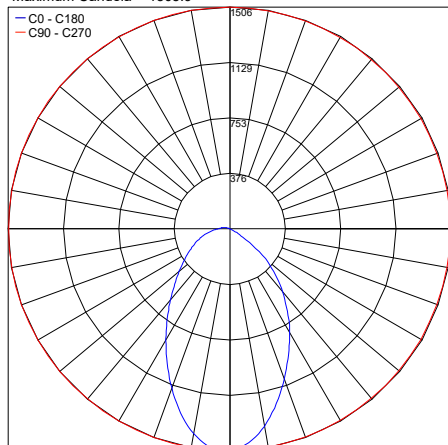
PHOTOMETRIC FILENAME : BERICA_IN_3.2_Single_A_3000K_27W.IES

Maximum Candela = 1129.2



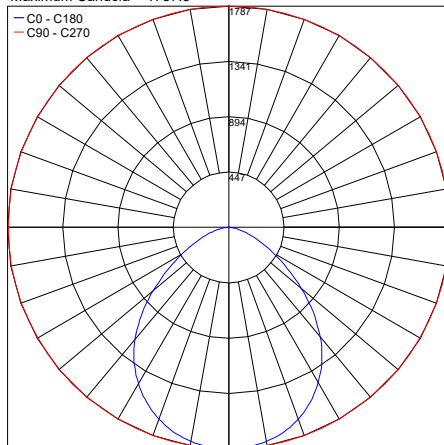
PHOTOMETRIC FILENAME : BERICA_IN_3.2_Single_D_3000K_27W.IES

Maximum Candela = 1505.9



PHOTOMETRIC FILENAME : BERICA_IN_3.2_Single_K_59X90_3000K_27W.IES

Maximum Candela = 1787.5



PHOTOMETRIC FILENAME : BERICA_IN_3.2_Single_L_45X96_3000K_27W.IES

Job Name/Date:

Fixture Type Designation: