



Big Slide

LED Downlight

Big Slide is an efficient recessed LED downlight. The fixture is made from machined aluminum and has a threaded, removable optic cap to accommodate the addition of color filters. A free-rotating ball assembly offers aiming adjustability. The sliding focus is lockable, changing from narrow spot to wide flood. Big Slide comes in three finishes: brushed aluminum and black anodized. Made in the U.S.A.





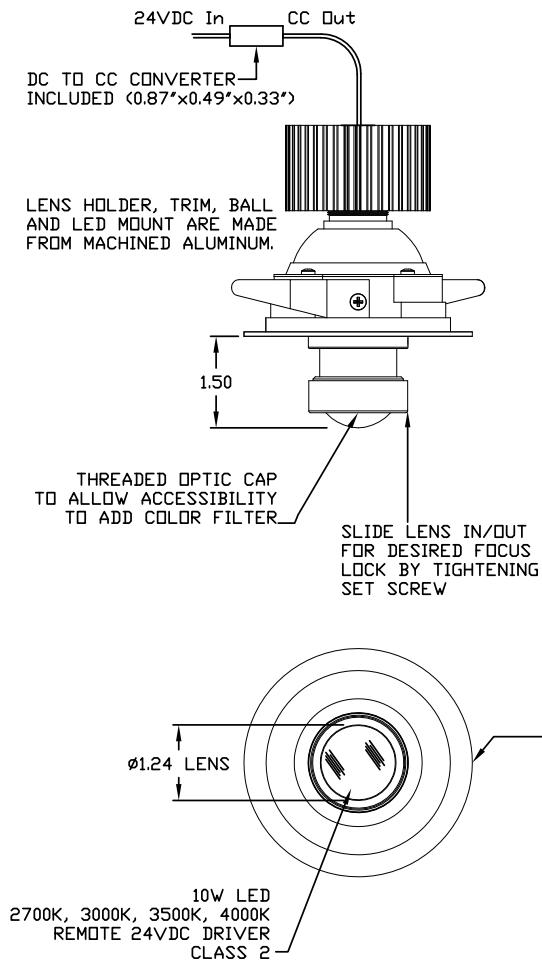
- Aluminum construction
- Brushed aluminum, black anodized finishes
- 10W
- Remote 24VDC power supply
- Adjustable neck to allow changing from a narrow spot to wide flood
- Tilt angle 30°
- 2700K, 3000K, 3500K, 4000K color temperatures available
- CRI 80
- Made in the U.S.A.
- Complies with LM79-LM80
- Listed IP20 for indoor use



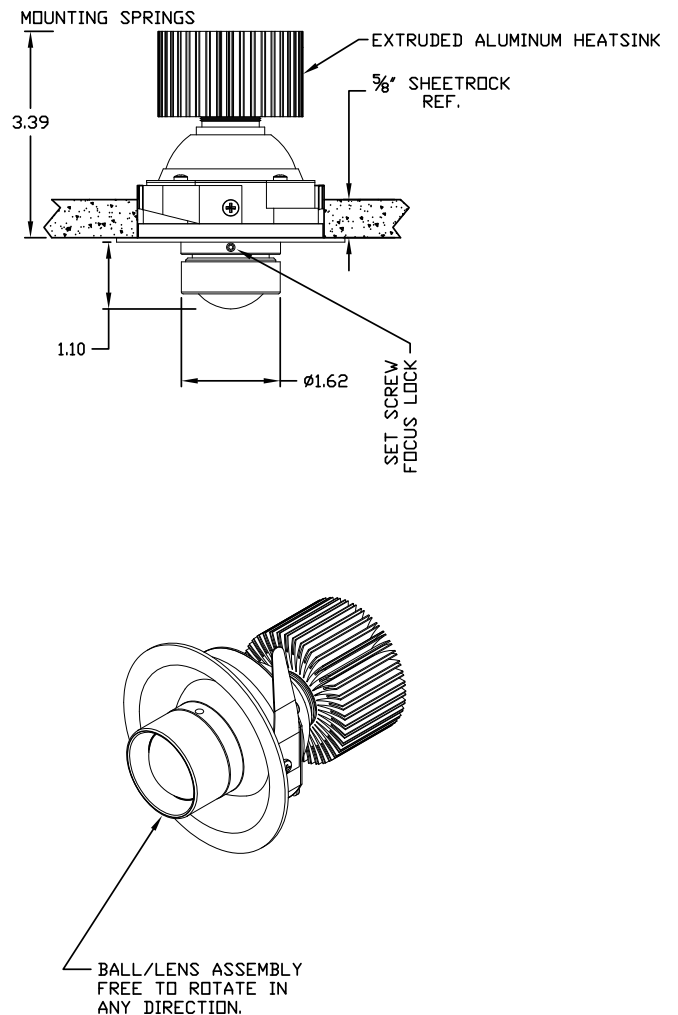
Big Slide

TECHNICAL DRAWING

Lens Assembly Extended

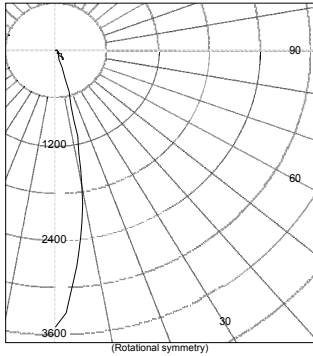


Lens Assembly Retracted



PHOTOMETRIC DATA

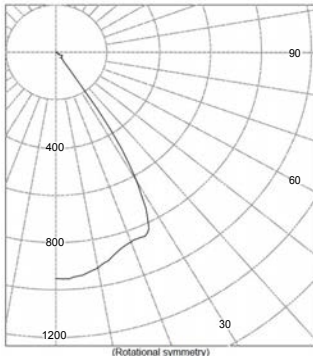
Lens Assembly Extended



Legend: All planes - Solid (cd)

Height(ft)	Illuminance at Nadir (fc)	Beam Width (across 50% Nadir Illum)	
		0-180	90-270
6.0	97.7	2.05	2.05
8.0	54.9	2.74	2.74
10.0	35.2	3.42	3.42
12.0	24.4	4.10	4.10
14.0	17.9	4.79	4.79
16.0	13.7	5.47	5.47

Lens Assembly Retracted



Legend: All planes - Solid (cd)

Height(ft)	Illuminance at Nadir (fc)	Beam Width (across 50% Nadir Illum)	
		0-180	90-270
6.0	26.5	6.58	6.58
8.0	14.9	8.77	8.77
10.0	9.6	10.96	10.96
12.0	6.6	13.15	13.15
14.0	4.9	15.35	15.35
16.0	3.7	17.54	17.54

ORDERING INFORMATION

Series	LED Module	Lens	Driver	Finish
XXX-	XXXX	X	X	XX
BGS-Big Slide	1027-1000lm/ 2700K 1030-1000lm/ 3000K 1035-1000lm/ 3500K 1040-1000lm/ 4000K	O-Optical Silicone	X-Remote 24VDC Driver	BA-Brushed Aluminum 97-Black Anodized
			Note: Remote driver ordered separately	

POWER SUPPLY ENCLOSURE:



PPWD00467

Empty power supply enclosure
11.8" x 9.84" x 5.91"

Optional power supply enclosure by Designplan **OR** by others.
Must comply with UL, ETL, and local electrical codes.

