

Big Slide is an efficient recessed downlight made of machined aluminum with a threaded, removable optic cap to accommodate the addition of color filters. A free-rotating ball assembly offers aiming adjustability. The sliding focus is lockable, changing from narrow spot to wide flood. Big Slide comes in two standard finishes. Made in the U.S.A.



MADE IN THE U.S.A.

Fixture Dimensions
 Ø3.75" x 4.89" h
 (see drawing on page 2)

TECHNICAL DATA

| | |
|---------------------------|--|
| Wattage / Input | 10W (24VDC) |
| Power Supply | Remote, not included. See page 2. |
| Construction | Body: Aluminum Lens: Optical Silicone |
| CCT | 2700K, 3000K, 3500K, 4000K |
| Delivered Lumens | 625-909 lm (3000K) |
| Efficacy | 62.5-90.9 lm/W |
| Optics | Adjustable neck to allow changing from a narrow spot to wide flood |
| Tilt Angle | 30° |
| Finishes | Brushed Aluminum, Black Anodized |
| Fixture Dimensions | Ø3.75" x 4.89" h |
| Cut-out Dimension | - |
| Fixture Weight | - |
| IP Rating | IP20 |

ORDERING INFORMATION

Example: *BGS.1027.O.X.BA Accessories / Power Supplies ordered separately.*

| | | | | |
|------------------------|--|-----------------------------|--|--|
| BGS | | O | X | |
| Series | LED Module | Lens | Driver | Finish |
| BGS - Big Slide | 1027 - 1000lm/ 2700K 1030 - 1000lm/ 3000K 1035 - 1000lm/ 3500K 1040 - 1000lm/ 4000K | O - Optical Silicone | X - Remote 24VDC Driver Note: Remote driver ordered separately - see page 2 | BA - Brushed Aluminum 97 - Black Anodized |

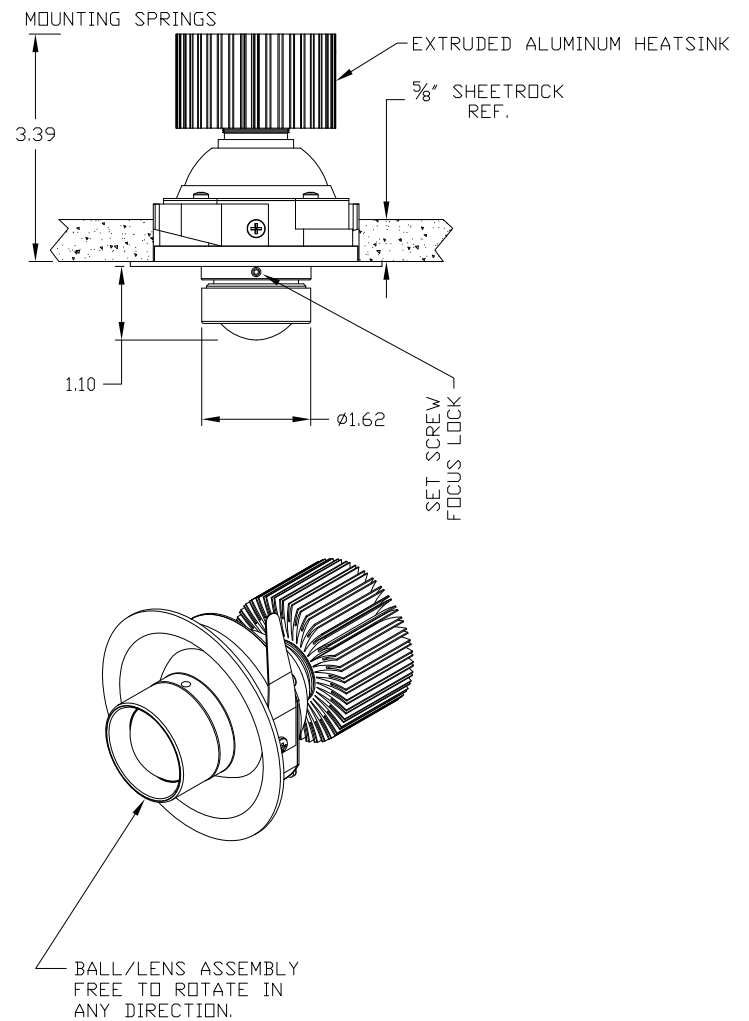
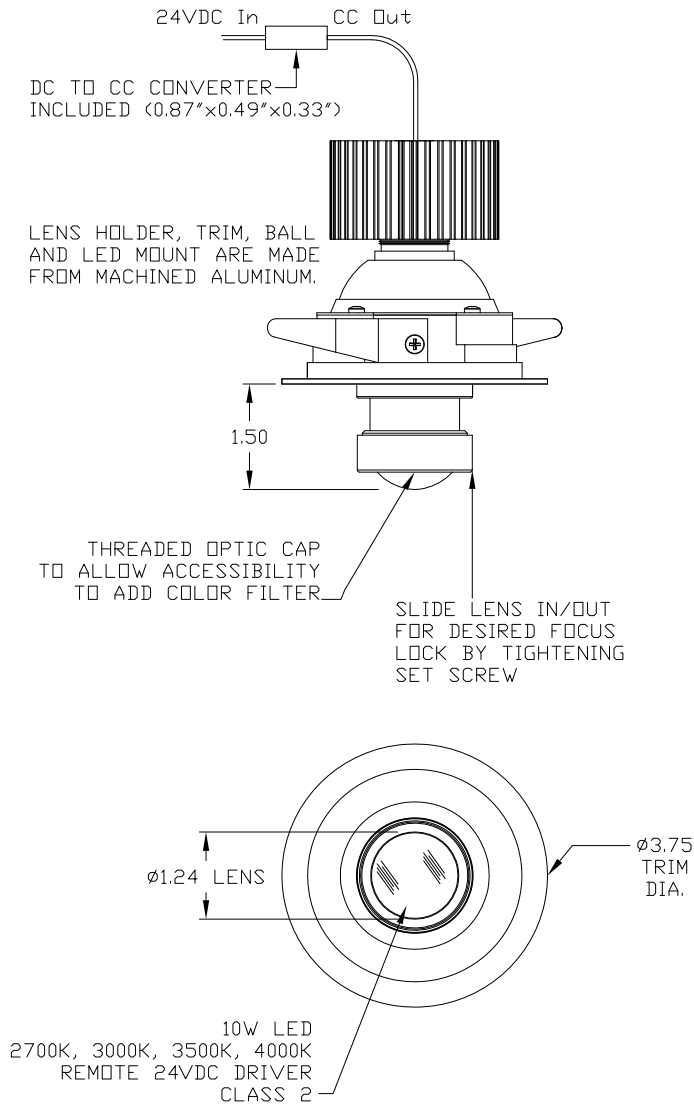
Job Name/Date:

Fixture Type Designation:

FIXTURE DIMENSIONS

Lens Assembly Extended

Lens Assembly Retracted



Job Name/Date:

Fixture Type Designation:

SUGGESTED POWER SUPPLIES

24VDC

| Part Number | Description | Input/Output | # of Fixtures |
|---------------------------|---|---|---------------|
| PPLT00481 | Non-Dim | 120-277VAC to 24VDC, 24W, Class 2 | 1-1 |
| PPLT00056 | Non-Dim | 120-277VAC to 24VDC, 26W, Class 2, IP66 | 1-2 |
| PPLT00709 | ELV / TRIAC & 0-10V Dimming | 120-277VAC to 24VDC, 96W, Class 2, DAMP | 1-7 |
| PPLT00284 | Non-Dim | 120-277VAC to 24VDC, 100W, Class 2 | 1-8 |
| PPLT00543 | 0-10V Dimming to 15% (-40°C / -40°F cold weather start) | 120-277VAC to 24VDC, 100W, Class 2 | 1-8 |

For other power supply options consult factory.

ACCESSORIES

Installation



PPMP02648

Empty power supply enclosure
11.8" x 9.84" x 5.91"

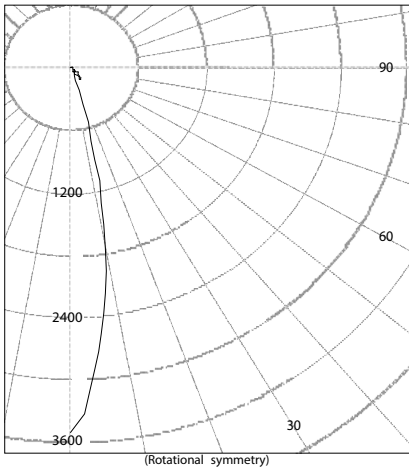
Optional power supply enclosure by Designplan OR by others.
Must Comply with UL, ETL, and local electrical codes.

Job Name/Date:

Fixture Type Designation:

PHOTOMETRIC DATA

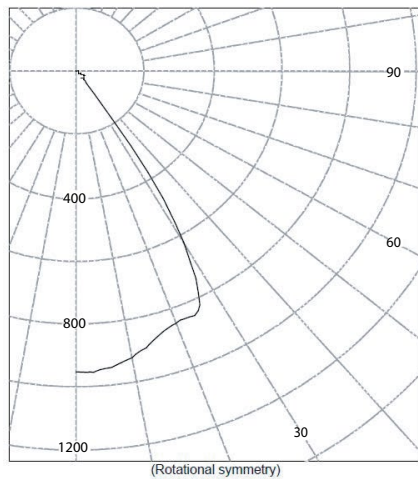
Lens Assembly Extended



Legend: All planes - Solid (cd)

| Height(ft) | Illuminance at Nadir (fc) | Beam Width (across 50% Nadir Illum) | |
|------------|---------------------------|--|--------|
| | | 0-180 | 90-270 |
| 6.0 | 97.7 | 2.05 | 2.05 |
| 8.0 | 54.9 | 2.74 | 2.74 |
| 10.0 | 35.2 | 3.42 | 3.42 |
| 12.0 | 24.4 | 4.10 | 4.10 |
| 14.0 | 17.9 | 4.79 | 4.79 |
| 16.0 | 13.7 | 5.47 | 5.47 |

Lens Assembly Retracted



Legend: All planes - Solid (cd)

| Height(ft) | Illuminance at Nadir (fc) | Beam Width (across 50% Nadir Illum) | |
|------------|---------------------------|--|--------|
| | | 0-180 | 90-270 |
| 6.0 | 26.5 | 6.58 | 6.58 |
| 8.0 | 14.9 | 8.77 | 8.77 |
| 10.0 | 9.6 | 10.96 | 10.96 |
| 12.0 | 6.6 | 13.15 | 13.15 |
| 14.0 | 4.9 | 15.35 | 15.35 |
| 16.0 | 3.7 | 17.54 | 17.54 |

Job Name/Date:

Fixture Type Designation: