

Big Slide is an efficient recessed downlight made of machined aluminum with a threaded, removable optic cap to accommodate the addition of color filters. A free-rotating ball assembly offers aiming adjustability. The sliding focus is lockable, changing from narrow spot to wide flood. Big Slide comes in two standard finishes. Made in the U.S.A.



**MADE IN THE U.S.A.**

Fixture Dimensions  
 Ø3.75" x 4.89" h  
 (see drawing on page 2)

## TECHNICAL DATA

<b>Wattage / Input</b>	10W (24VDC)
<b>Power Supply</b>	Remote, not included. See page 2.
<b>Construction</b>	Body: Aluminum Lens: Optical Silicone
<b>CCT</b>	2700K, 3000K, 3500K, 4000K
<b>Delivered Lumens</b>	625-909 lm (3000K)
<b>Efficacy</b>	62.5-90.9 lm/W
<b>Optics</b>	Adjustable neck to allow changing from a narrow spot to wide flood
<b>Tilt Angle</b>	30°
<b>Finishes</b>	Brushed Aluminum, Black Anodized
<b>Fixture Dimensions</b>	Ø3.75" x 4.89" h
<b>Cut-out Dimension</b>	-
<b>Fixture Weight</b>	-
<b>IP Rating</b>	IP20

## ORDERING INFORMATION

Example: *BGS.1027.O.X.BA Accessories / Power Supplies ordered separately.*

<b>BGS</b>		<b>O</b>	<b>X</b>	
<b>Series</b>	<b>LED Module</b>	<b>Lens</b>	<b>Driver</b>	<b>Finish</b>
<b>BGS</b> - Big Slide	<b>1027</b> - 1000lm/ 2700K <b>1030</b> - 1000lm/ 3000K <b>1035</b> - 1000lm/ 3500K <b>1040</b> - 1000lm/ 4000K	<b>O</b> - Optical Silicone	<b>X</b> - Remote 24VDC Driver <b>Note:</b> Remote driver ordered separately - see page 2	<b>BA</b> - Brushed Aluminum <b>97</b> - Black Anodized

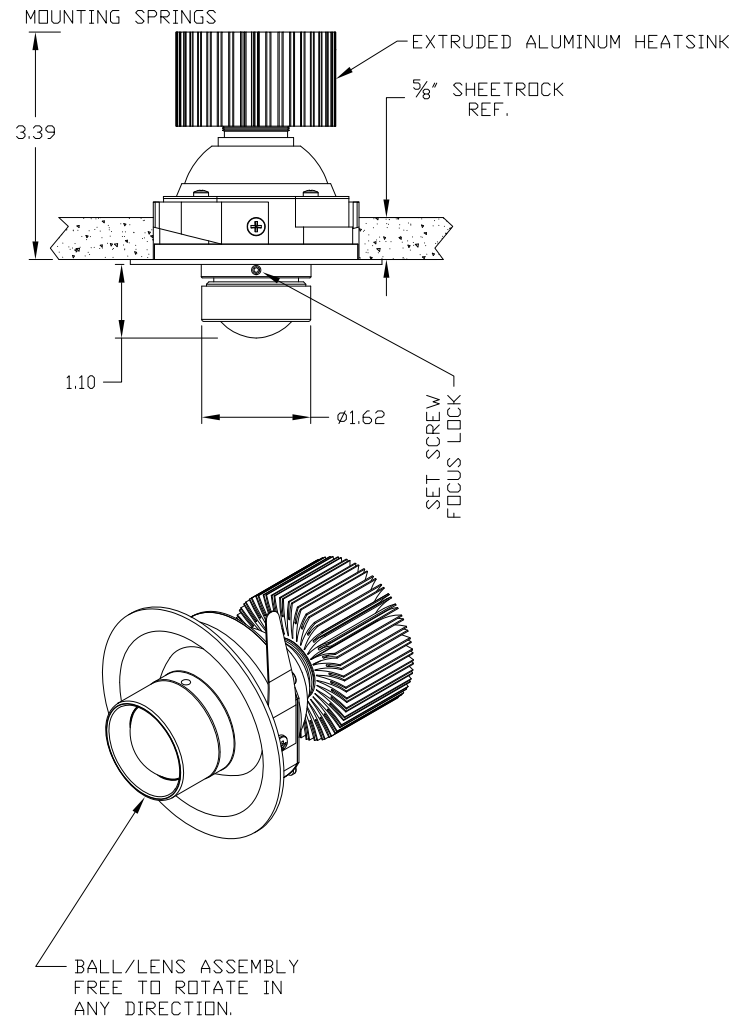
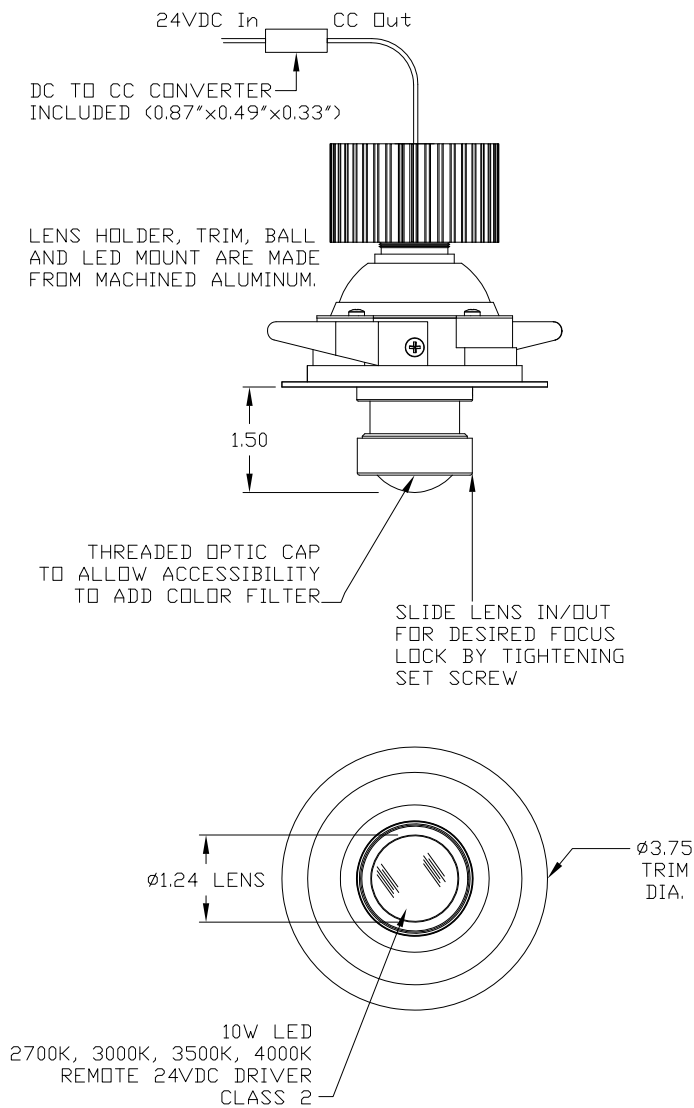
Job Name/Date:

Fixture Type Designation:

## FIXTURE DIMENSIONS

Lens Assembly Extended

Lens Assembly Retracted



Job Name/Date:

Fixture Type Designation:

## SUGGESTED POWER SUPPLIES

24VDC

Part Number	Description	Input/Output	# of Fixtures
<a href="#">PPLT00481</a>	Non-Dim	120-277VAC to 24VDC, 24W, Class 2	1-1
<a href="#">PPLT00709</a>	ELV / TRIAC & 0-10V Dimming	120-277VAC to 24VDC, 96W, Class 2, DAMP	1-7
<a href="#">PPLT00284</a>	Non-Dim	120-277VAC to 24VDC, 100W, Class 2	1-8
<a href="#">PPLT00543</a>	0-10V Dimming to 15% (-40°C / -40°F cold weather start)	120-277VAC to 24VDC, 100W, Class 2	1-8

For other power supply options consult factory.

## ACCESSORIES

### Installation



#### PPMP02648

Empty power supply enclosure  
11.8" x 9.84" x 5.91"

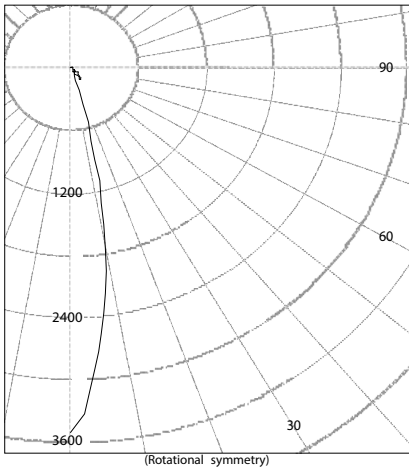
Optional power supply enclosure by Designplan OR by others.  
Must Comply with UL, ETL, and local electrical codes.

Job Name/Date:

Fixture Type Designation:

## PHOTOMETRIC DATA

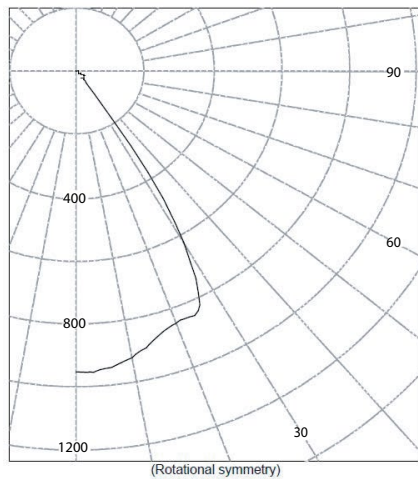
### Lens Assembly Extended



Legend: All planes - Solid (cd)

Height(ft)	Illuminance at Nadir (fc)	Beam Width (across 50% Nadir Illum)	
		0-180	90-270
6.0	97.7	2.05	2.05
8.0	54.9	2.74	2.74
10.0	35.2	3.42	3.42
12.0	24.4	4.10	4.10
14.0	17.9	4.79	4.79
16.0	13.7	5.47	5.47

### Lens Assembly Retracted



Legend: All planes - Solid (cd)

Height(ft)	Illuminance at Nadir (fc)	Beam Width (across 50% Nadir Illum)	
		0-180	90-270
6.0	26.5	6.58	6.58
8.0	14.9	8.77	8.77
10.0	9.6	10.96	10.96
12.0	6.6	13.15	13.15
14.0	4.9	15.35	15.35
16.0	3.7	17.54	17.54

Job Name/Date:

Fixture Type Designation: