

Big Slide is an efficient recessed downlight made of machined aluminum with a threaded, removable optic cap to accommodate the addition of color filters. A free-rotating ball assembly offers aiming adjustability. The sliding focus is lockable, changing from narrow spot to wide flood. Big Slide comes in two standard finishes. Made in the U.S.A.



MADE IN THE U.S.A.

Fixture Dimensions
 Ø3.75" x 4.89" h
 (see drawing on page 2)

TECHNICAL DATA

Wattage / Input	10W (24VDC)
Power Supply	Remote, not included. See page 2.
Construction	Body: Aluminum Lens: Optical Silicone
CCT	2700K, 3000K, 3500K, 4000K
Delivered Lumens	625-909 lm (3000K)
Efficacy	62.5-90.9 lm/W
Optics	Adjustable neck to allow changing from a narrow spot to wide flood
Tilt Angle	30°
Finishes	Brushed Aluminum, Black Anodized
Fixture Dimensions	Ø3.75" x 4.89" h
Cut-out Dimension	-
Fixture Weight	-
IP Rating	IP20

ORDERING INFORMATION

Example: *BGS.1027.O.X.BA Accessories / Power Supplies ordered separately.*

BGS		O	X	
Series	LED Module	Lens	Driver	Finish
BGS - Big Slide	1027 - 1000lm/ 2700K 1030 - 1000lm/ 3000K 1035 - 1000lm/ 3500K 1040 - 1000lm/ 4000K	O - Optical Silicone	X - Remote 24VDC Driver Note: Remote driver ordered separately - see page 2	BA - Brushed Aluminum 97 - Black Anodized

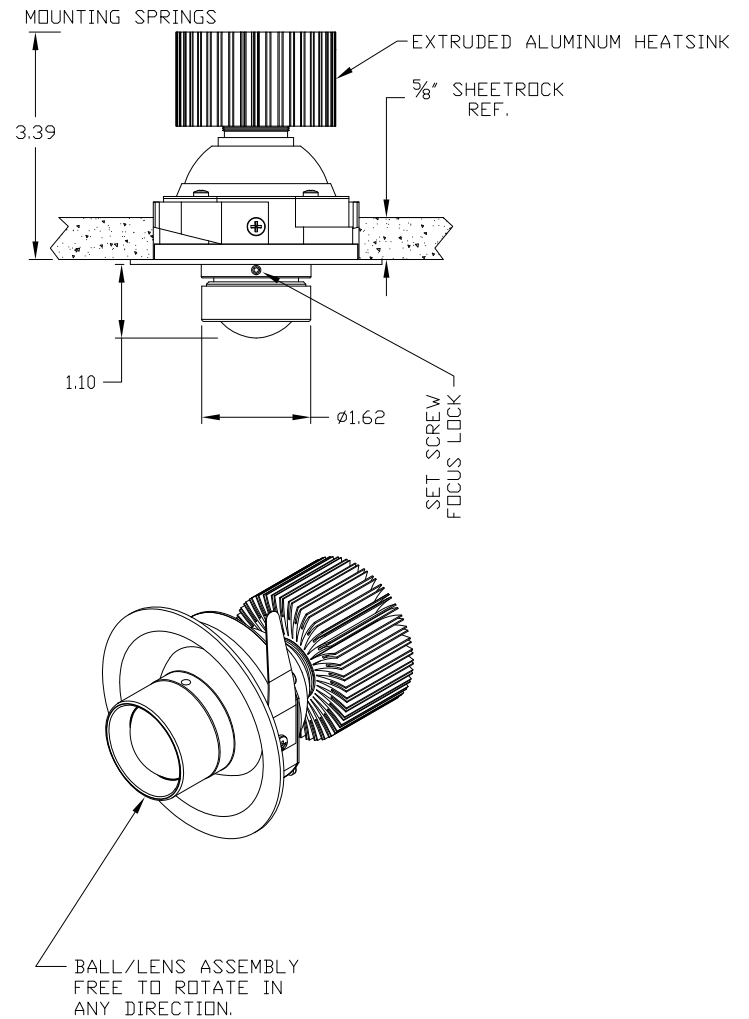
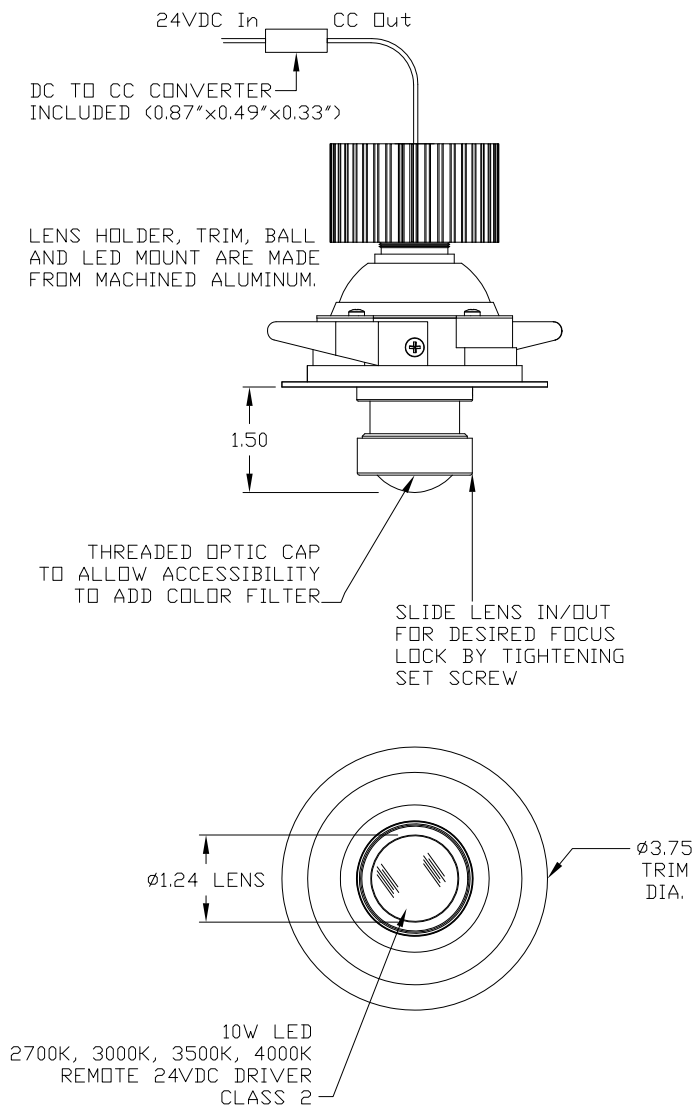
Job Name/Date:

Fixture Type Designation:

FIXTURE DIMENSIONS

Lens Assembly Extended

Lens Assembly Retracted



Job Name/Date:

Fixture Type Designation:

SUGGESTED POWER SUPPLIES

24VDC

Part Number	Description	Input/Output	# of Fixtures
PPLT00481	Non-Dim	120-277VAC to 24VDC, 24W, Class 2	1-1
PPLT00056	Non-Dim	120-277VAC to 24VDC, 26W, Class 2, IP66	1-2
PPLT00599	ELV / TRIAC & 0-10V Dimming (100 to 0%)	120-277VAC to 24VDC, 96W, Class 2	1-7
PPLT00284	Non-Dim	120-277VAC to 24VDC, 100W, Class 2	1-8
PPLT00543	0-10V Dimming to 15% (-40°C / -40°F cold weather start)	120-277VAC to 24VDC, 100W, Class 2	1-8

For other power supply options consult factory.

ACCESSORIES

Installation



PPMP02648

Empty power supply enclosure
11.8" x 9.84" x 5.91"

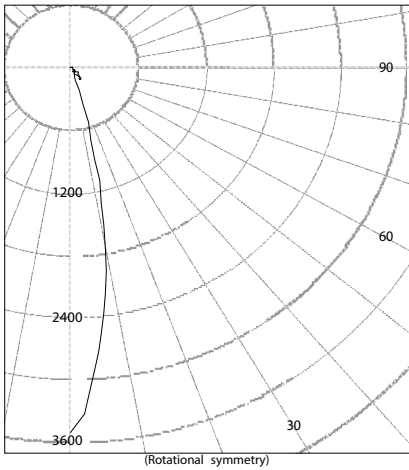
Optional power supply enclosure by Designplan OR by others.
Must Comply with UL, ETL, and local electrical codes.

Job Name/Date:

Fixture Type Designation:

PHOTOMETRIC DATA

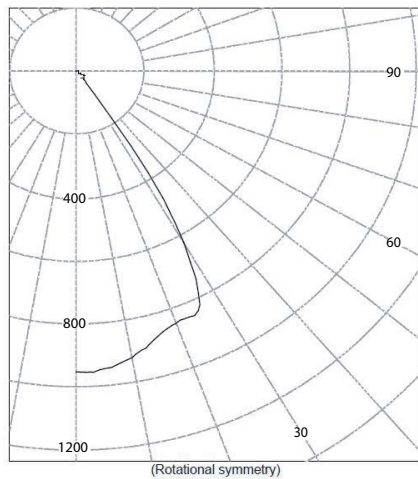
Lens Assembly Extended



Legend: All planes - Solid (cd)

Height(ft)	Illuminance at Nadir (fc)	Beam Width (across 50% Nadir Illum)	
		0-180	90-270
6.0	97.7	2.05	2.05
8.0	54.9	2.74	2.74
10.0	35.2	3.42	3.42
12.0	24.4	4.10	4.10
14.0	17.9	4.79	4.79
16.0	13.7	5.47	5.47

Lens Assembly Retracted



Legend: All planes - Solid (cd)

Height(ft)	Illuminance at Nadir (fc)	Beam Width (across 50% Nadir Illum)	
		0-180	90-270
6.0	26.5	6.58	6.58
8.0	14.9	8.77	8.77
10.0	9.6	10.96	10.96
12.0	6.6	13.15	13.15
14.0	4.9	15.35	15.35
16.0	3.7	17.54	17.54

Job Name/Date:

Fixture Type Designation: