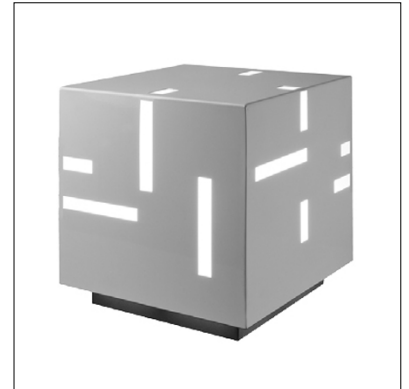


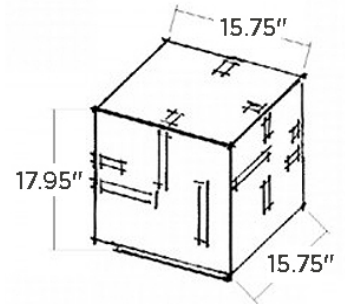
Bin is a IP65-rated, cube-shaped bollard suitable for ground installation that is a container of technology and lighting design. It is able to house a sound diffusion system and also a wi-fi router while emitting diffused light from all sides. It is available in 2 color temperatures and 5 standard finishes.



## TECHNICAL DATA

<b>Wattage / Input</b>	23.3W
<b>Power Supply</b>	Remote, not included. Consult Factory.
<b>Construction</b>	Body: Stainless Steel Sheet (3mm / 0.12") (AISI 316L Stainless Steel on request) Lens: Acrylic (PMMA) Diffuser
<b>CCT</b>	3000K, 4000K (3500K on request)
<b>Delivered Lumens</b>	2815 lm (3000K) 2925 lm (4000K)
<b>Efficacy</b>	120.8 lm/W (3000K) 125.5 lm/W (4000K)
<b>Optics</b>	Diffused
<b>Finishes</b>	5 Standard, See Below
<b>Fixture Dimensions</b>	15.75" x 15.75" x 17.95" h
<b>Color Consistency</b>	<3-Step MacAdam
<b>IP Rating</b>	IP65
<b>Impact Resistance</b>	IK10
<b>Weight Capacity</b>	Tested up to 297 lbs.
<b>Notes</b>	<i>Audio Version</i> - has a transducer that reproduces audio through vibrations of the metal body of the luminaire. <i>WiFi Version</i> - has an access point that has to be connected to the internet signal in order to have a signal 114.8 ft (35 m) around the luminaire.

Fixture Dimensions



## ORDERING INFORMATION

Example: LM05.101227.US.02.DI.BP. Power supplies / accessories ordered separately.

<input type="text"/>	<input type="text"/>	<input type="text" value="DI"/>	<input type="text"/>
<b>Model No.</b>	<b>Finish</b>	<b>Optic</b>	<b>CCT</b>
LM05.101227.US (Bin 1 - Light)	01 - White	DI - Diffuse	BP - 3000K
LM05.101228.US (Bin 2 - Light, Audio)	02 - Black		BF - 4000K
LM05.101229.US (Bin 3 - Light, WiFi)	03 - Gray		
LM05.101230.US (Bin 4 - Light, Audio, WiFi)	04 - Cor-ten		
	11 - Anthracite		

Job Name/Date:

Fixture Type Designation:

**SUGGESTED POWER SUPPLIES***Consult Factory***ACCESSORIES - Installation****LM20.100379**

Anchor Plate

12.60" x 12.60" x 11.81" h

*Job Name/Date:**Fixture Type Designation:*