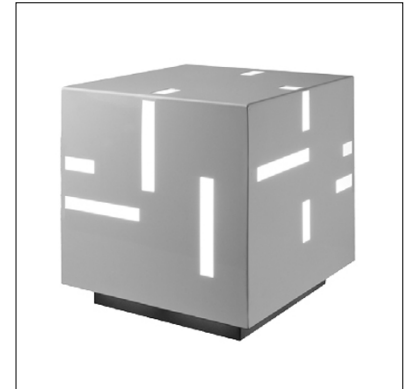


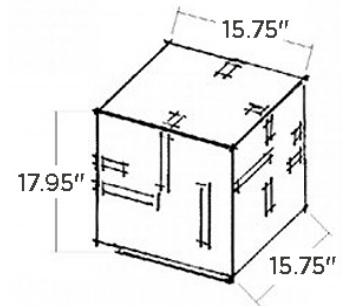
Bin is a IP65-rated, cube-shaped bollard suitable for ground installation that is a container of technology and lighting design. It is able to house a sound diffusion system and also a wi-fi router while emitting diffused light from all sides. It is available in 2 color temperatures and 5 standard finishes.



TECHNICAL DATA

Wattage / Input	23.3W (24VDC)
Power Supply	Remote, not included. See page 2.
Construction	Body: Stainless Steel Sheet (3mm / 0.12") (AISI 316L Stainless Steel on request) Lens: Acrylic (PMMA) Diffuser
CCT	3000K, 4000K (3500K on request)
Delivered Lumens	2815 lm (3000K) 2925 lm (4000K)
Efficacy	120.8 lm/W (3000K) 125.5 lm/W (4000K)
Optics	Diffused
Finishes	5 Standard, See Below
Fixture Dimensions	15.75" x 15.75" x 17.95" h
Color Consistency	<3-Step MacAdam
IP Rating	IP65
Impact Resistance	IK10
Weight Capacity	Tested up to 297 lbs.
Notes	<i>Audio Version</i> - has a transducer that reproduces audio through vibrations of the metal body of the luminaire. <i>WiFi Version</i> - has an access point that has to be connected to the internet signal in order to have a signal 114.8 ft (35 m) around the luminaire.

Fixture Dimensions



ORDERING INFORMATION

Example: LM05.101227.US.02.DI.BP. Power supplies / accessories ordered separately.

<input type="text"/>	<input type="text"/>	<input type="text" value="DI"/>	<input type="text"/>
Model No.	Finish	Optic	CCT
LM05.101227.US (Bin 1 - Light)	01 - White	DI - Diffuse	BP - 3000K
LM05.101228.US (Bin 2 - Light, Audio)	02 - Black		BF - 4000K
LM05.101229.US (Bin 3 - Light, WiFi)	03 - Gray		
LM05.101230.US (Bin 4 - Light, Audio, WiFi)	04 - Cor-ten		
	11 - Anthracite		

Job Name/Date:

Fixture Type Designation:

SUGGESTED POWER SUPPLIES

24VDC

Part Number	Description	Input/Output	# of Fixtures
PPLT00155	Non-Dim	120VAC to 24VDC, 30W, Class 2	1-1
PPLT00157	Non-Dim	120VAC to 24VDC, 60W, Class 2	1-2
PPLT00599	ELV/TRIAC & 0-10V Dimming (100-0%)	120-277VAC to 24VDC, 96W, Class 2	1-3
PPLT00158	Non-Dim	120VAC to 24VDC, 100W, Class 2	1-3
PPLT00543	0-10V Dimming to 15% (-40°C / -40°F cold weather start)	120-277VAC to 24VDC, 100W, Class 2	1-3

For other power supply options consult factory.

ACCESSORIES - Installation



LM20.100379
Anchor Plate
12.60" x 12.60" x 11.81" h

Job Name/Date:

Fixture Type Designation: