

# BITPOP 2.1

Designed for visual comfort, the Bitpop family of low-glare luminaires comes in five different configurations. Ideal for both commercial and residential installations, Bitpop fixtures can be flush or regress mounted. JA8, IC, Chicago Plenum rated.



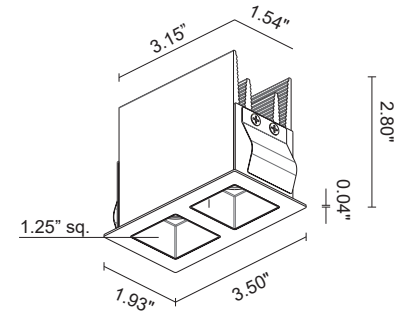
JA8-2016



## TECHNICAL DATA

<b>Wattage / Input</b>	9W (350mA), 12W (500mA)
<b>Power Supply</b>	Remote, not included. See page 2.
<b>Construction</b>	Body: Aluminum Alloy EN AW 6082 Trim: Steel Cable Length: 0.98' standard
<b>CCT</b>	2700K, 3000K, 4000K
<b>BUG Rating</b>	B1-U0-G0 (3000K)
<b>CRI</b>	2700K, 3000K: CRI >90 4000K: CRI >80 (Not JA8 Certified)
<b>Delivered Lumens</b>	496 lm (3000K, 30°, 9W) 670 lm (3000K, 30°, 12W)
<b>Efficacy</b>	55.1 lm/W (3000K, 30°, 9W) 55.8 lm/W (3000K, 30°, 12W)
<b>Optics</b>	17° (Not JA8 Certified), 30°, 42°, 17°x45°
<b>Finishes</b>	3 Standard, Custom RAL (see below)
<b>Cut-Out Dimensions</b>	3.27" x 1.65"
<b>Fixture Dimensions</b>	1.93" x 3.50" x 2.80"
<b>Aperture</b>	2.0" x 1.65"
<b>Fixture Weight</b>	0.77 lbs
<b>LED Source</b>	1 High-Intensity Power LED
<b>Lumen Maintenance</b>	L85, B10>50,000hrs (Ta 25°C)
<b>Color Consistency</b>	3-Step MacAdam
<b>Operating Temp.</b>	32°F to +113°F
<b>IP Rating</b>	IP40 / IP44 Installed
<b>JA8</b>	Certified

Ceiling Cut-Out: 3.27" x 1.65"  
Fixture Dimensions



## ORDERING INFORMATION

Example: **BP211109SB0**. Accessories / Power Supplies ordered separately

<b>Model No.</b>	<b>CRI / CCT</b>	<b>Optics</b>	<b>Finish (Trim / Reflector)</b>
<b>BP2110</b> (9W - 350mA) <b>BP2111</b> (12W - 500mA)	<b>1F</b> - 90 CRI, 2700K <b>15</b> - 90 CRI, 3000K <b>09</b> - 80 CRI, 4000K (CRI>80 - not JA8 Certified)	<b>S</b> - 17° (Not JA8 Certified) <b>F</b> - 30° <b>L</b> - 42° <b>W</b> - 17° x 45°	<b>B0</b> - Black / White <b>N0</b> - Black / Black <b>W0</b> - White / White <b>C</b> - Custom RAL (consult factory for "C")

Job Name/Date:

Fixture Type Designation:

## SUGGESTED POWER SUPPLIES - 350mA or 500mA - JA8 Compatible (Also for General Use)

Part Number	Description	Input/Output	# of Fixtures	
			350mA	500mA
<a href="#">PPLT00465-P</a>	0-10V Dimming (to 1.0%)	120-277VAC to 500mA, 20W, Class 2, DAMP	1-1	1-2

## SUGGESTED POWER SUPPLIES - 350mA or 500mA (Not JA8 Compatible)

Part Number	Description	Input/Output	# of Fixtures
<a href="#">PPLT00469</a>	Phase Dim (120V Only)	120VAC to 500mA, 14W, Class 2	1-1
<a href="#">PPLT00308-P</a>	0-10V Dimming (to 0.1%)	120-277VAC to 500mA, 30W, Class 2, DAMP	1-2
<a href="#">PPLT00309-P</a>	0-10V Dimming (to 0.1%)	120-277VAC to 500mA, 50W, Class 2, DAMP	1-2
<a href="#">PPLT00467-P</a>	0-10V Dimming (to 1.0%)	120-277VAC to 500mA, 50W, Class 2, DAMP	1-2

## Suggested Lutron Compatible - 350mA or 500mA (Not JA8 Compatible)

Part Number	Option	Lutron SKU	Dim Range	Description	Input/Output	# of Fixtures
<a href="#">PPLT00195</a>	L3DAE / L3DA3W	L3DA	100%-1%	Hi-Lume™ 1% EcoSystem™ / 1% 3-Wire LED Driver	120-277VAC to 500mA, 19W, Class 2	1-1
<a href="#">PPLT00180</a>	L3DAE / L3DA3W	L3DA	100%-1%	Hi-Lume™ 1% EcoSystem™ / 1% 3-Wire LED Driver	120-277VAC to 3500mA, 27W, Class 2	2-2

## Suggested Lutron Compatible - 500mA (Not JA8 Compatible)

Part Number	Option	Lutron SKU	Dim Range	Description	Input/Output	# of Fixtures
<a href="#">PPLT00676</a>	PEQ0E	PEQ0	100%-0.1%	Hi-Lume™ Premier 0.1% EcoSystem™ LED Driver	120-277VAC to 500mA, 19W, Class 2	1-1

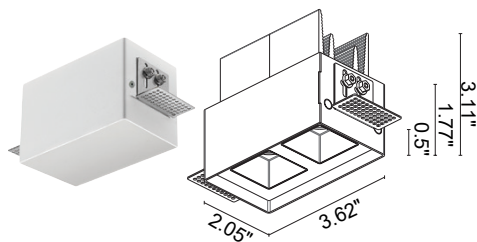
## Suggested Lutron Compatible - 500mA (Not JA8 Compatible)

Part Number	Option	Lutron SKU	Dim Range	Description	Input/Output	# of Fixtures
<a href="#">PPLT00516</a>	L3DAE / L3DA3W	L3DA	100%-1%	Hi-Lume™ 1% EcoSystem™ / 1% 3-Wire LED Driver	120-277VAC to 350mA, 13W, Class 2	1-1
<a href="#">PPLT00179</a>	L3DAE / L3DA3W	L3DA	100%-1%	Hi-Lume™ 1% EcoSystem™ / 1% 3-Wire LED Driver	120-277VAC to 350mA, 19W, Class 2	2-2

For other power supply options consult factory.

## ACCESSORIES

### Installation - Regress Mount (non IC, Chicago Plenum)



**WC8713** - White

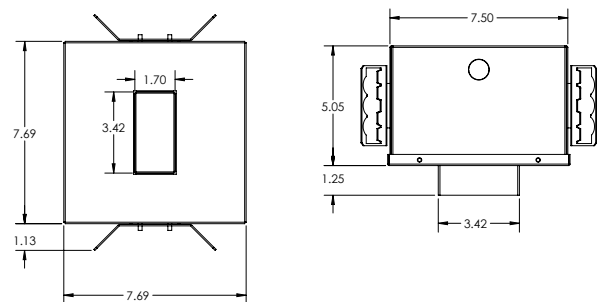
**WC8713N** - Black

Outer Casing for recessed installation in ceilings

REQUIRED for Regress Mount Option.

Job Name/Date:

### IC Rated, Chicago Plenum, JA8 (non regress - flange)



**AH-00003-CP** - Chicago Plenum or JA8 Rated

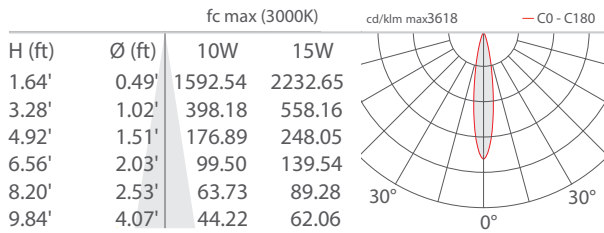
**AH-00003-IC** - IC Rated

Outer Casing for recessed installation in ceilings.

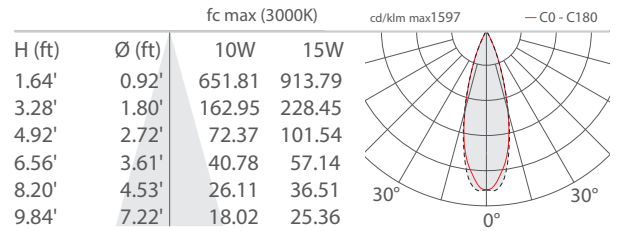
Fixture Type Designation:

## PHOTOMETRIC DATA

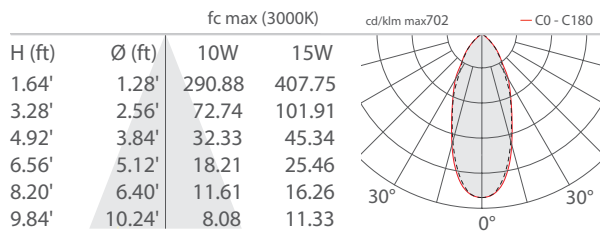
### S - 17°



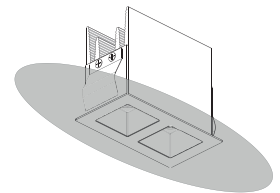
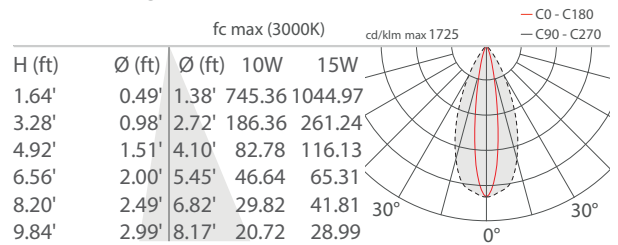
### F - 30°



### L - 42°



### W - 17° x 45°



Job Name/Date:

Fixture Type Designation: