

# BITPOP 4.1

Designed for visual comfort, the Bitpop family of low-glare luminaires comes in five different configurations. Ideal for both commercial and residential installations, Bitpop fixtures can be flush or regress mounted. JA8, IC, Chicago Plenum rated.



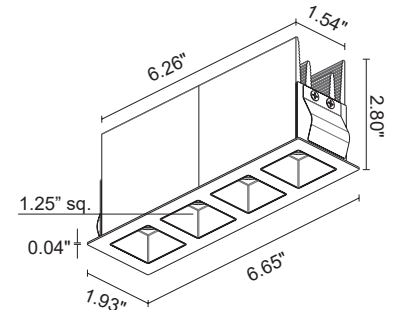
JA8-2016



## TECHNICAL DATA

<b>Wattage / Input</b>	24W (500mA)
<b>Power Supply</b>	Remote, not included. See page 2.
<b>Construction</b>	Body: Aluminum alloy EN AW 6082 Trim: Steel Cable Length: 0.98' standard
<b>CCT</b>	2700K, 3000K, 4000K
<b>CRI</b>	2700K, 3000K: CRI >90 4000K: CRI >80 (Not JA8 Certified)
<b>Delivered Lumens</b>	1340 lm (3000K, 30°, CRI 90)
<b>Efficacy</b>	52 lm/W
<b>Optics</b>	17° (Not JA8 Certified), 30°, 42°, 17°x45°
<b>Finishes</b>	3 Standard, Custom RAL (see below)
<b>Cut-Out Dimensions</b>	6.38" x 1.65"
<b>Fixture Dimensions</b>	6.65" x 1.93" x 2.80"
<b>Aperture</b>	1.25" sq. x 4 cell
<b>Fixture Weight</b>	0.93 lbs
<b>LED Source</b>	1 High-Intensity Power LED
<b>Lumen Maintenance</b>	L85,B10>50,000hrs (Ta 25°C)
<b>Color Consistency</b>	3-Step MacAdam
<b>Operating Temp.</b>	32°F to +113°F
<b>IP Rating</b>	IP40 / IP44 Installed
<b>JA8</b>	Certified

Ceiling Cut-Out: 6.38" x 1.65"  
Fixture Dimensions



## ORDERING INFORMATION

Example: **BP411109SB0**. Accessories / Power Supplies ordered separately.

BP4111			
<b>Model No.</b>	<b>CRI / CCT</b>	<b>Optics</b>	<b>Finish (Trim / Reflector)</b>
BP4111	1F - 90 CRI, 2700K 15 - 90 CRI, 3000K 09 - 80 CRI, 4000K (CRI>80 - not JA8 Certified)	S - 17° (Not JA8 Certified) F - 30° L - 42° W - 17° x 45°	B0 - Black / White N0 - Black / Black W0 - White / White C - Custom RAL (consult factory for "C")

Job Name/Date:

Fixture Type Designation:

## SUGGESTED POWER SUPPLIES

JA8 Compatible (Also for General Use)

Part Number	Description	Input/Output	# of Fixtures
<a href="#">PPLT00308-P</a>	0-10V Dimming (to 0.1%)	120-277VAC to 500mA, 30W, Class 2	1-1
<a href="#">PPLT00480-P</a>	0-10V Dimming (to 1.0%)	120-277VAC to 500mA, 30W, Class 2	1-1

## SUGGESTED POWER SUPPLIES

500mA (Not JA8 Compatible)

Part Number	Description	Input/Output	# of Fixtures
<a href="#">PPLT00309-P</a>	0-10V Dimming (to 0.1%)	120-277VAC to 500mA, 50W, Class 2	1-1
<a href="#">PPLT00467-P</a>	0-10V Dimming (to 1.0%)	120-277VAC to 500mA, 50W, Class 2	1-1
<a href="#">PPLT00538-P</a>	0-10V Dimming (to 0.1%)	120-277VAC to 500mA, 100W, Class 2	1-4

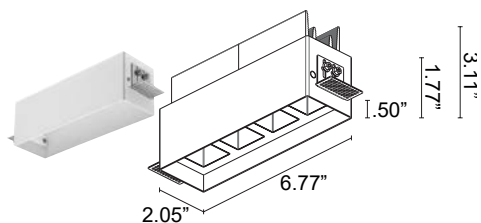
Suggested Lutron Compatible (Not JA8 Compatible)

Part Number	Option	Lutron SKU	Dim Range	Description	Input/Output	# of Fixtures
<a href="#">PPLT00180</a>	L3DAE / L3DA3W	L3DA	100%-1%	Hi-Lume™ 1% EcoSystem™ / 1% 3-Wire LED Driver	120-277VAC to 500mA, 27W, Class 2	1-1

For other power supply options consult factory.

## ACCESSORIES

Installation - Regress Mount (non IC, Chicago Plenum)



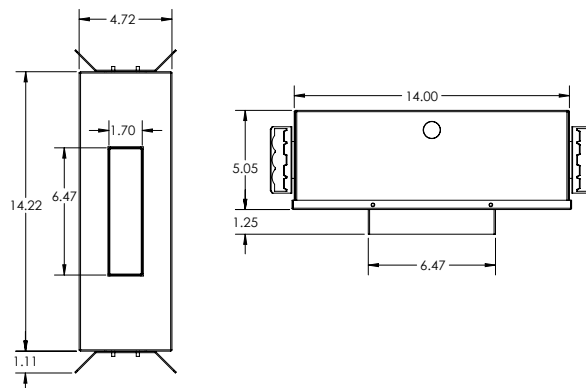
**WC8705** - White

**WC8705N** - Black

Outer Casing for recessed installation in ceilings

REQUIRED for Regress Mount Option.

IC Rated, Chicago Plenum, JA8 (non regress - flange)



**AH-00005-CP** - Chicago Plenum and JA8 Rated

**AH-00005-IC** - IC Rated

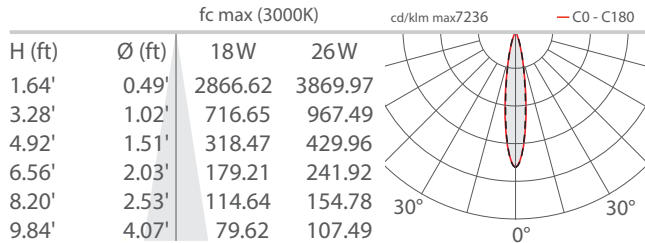
Outer Casing for recessed installation in ceilings.

Job Name/Date:

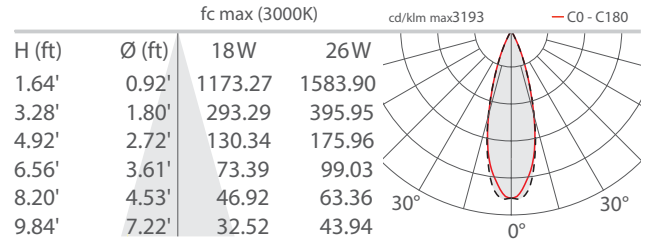
Fixture Type Designation:

## PHOTOMETRIC DATA

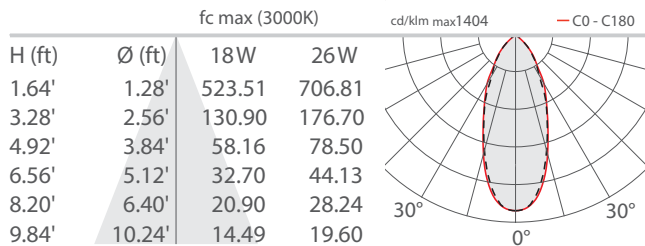
### S - 17°



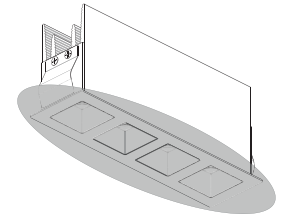
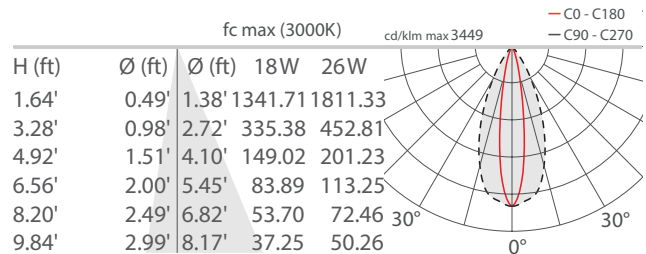
### F - 30°



### L - 42°



### W - 17° x 45°



Job Name/Date:

Fixture Type Designation: