

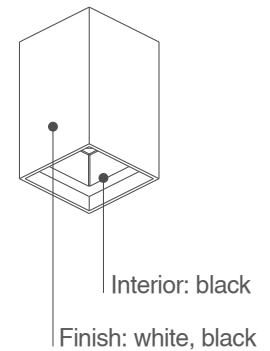
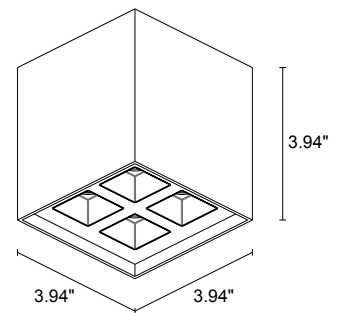
Designed for visual comfort, the Bitpop C family of low-glare luminaires is designed for ceiling surface mount applications. Ideal for both commercial and residential installations.



## TECHNICAL DATA

<b>Wattage / Input</b>	17W (350mA)
<b>Power Supply</b>	Remote, not included. See page 2.
<b>Construction</b>	Body: Aluminum Alloy EN AW 6060 Trim: Steel Cable Length: 4.92' standard
<b>CCT</b>	2700K, 3000K, 4000K
<b>CRI</b>	2700K, 3000K: CRI >90 4000K: CRI >80
<b>Delivered Lumens</b>	992 lm (3000K, 30°, CRI 90)
<b>Efficacy</b>	58 lm/W
<b>Optics</b>	17°, 30°, 42°, 17°x45°
<b>Finishes</b>	2 Standard, Custom RAL (see below)
<b>Fixture Dimensions</b>	3.94" x 3.94" x 3.94" h
<b>Aperture</b>	1.25" sq. x 4 cell
<b>Fixture Weight</b>	1.54 lbs
<b>LED Source</b>	4 High-Intensity Power LEDs
<b>Lumen Maintenance</b>	L85, B10>50,000hrs (Ta 25°C)
<b>Color Consistency</b>	3-Step MacAdam
<b>Operating Temp.</b>	+32°F to +113°F
<b>IP Rating</b>	IP40

Fixture Dimensions



## ORDERING INFORMATION

Example: BC221009SB0. Power Supplies ordered separately.

BC2210			
Model No.	CCT	Optics	Finish
BC2210	1F - 2700K (CRI>90) 15 - 3000K (CRI>90) 09 - 4000K (CRI>80)	S - 17° F - 30° L - 42° W - 17°x45°	B0 - White - Black N0 - Black - Black C - Custom RAL (consult factory for "C")

Job Name/Date:

Fixture Type Designation:

## SUGGESTED POWER SUPPLIES

350mA

Part Number	Description	Input/Output	# of Fixtures
<a href="#">PPLT00465-P</a>	0-10V Dimming (to 1%)	120-277VAC to 350mA, 20W, Class 2	1-1
<a href="#">PPLT00308-P</a>	0-10V Dimming (to 0.1%)	120-277VAC to 350mA, 30W, Class 2	1-1
<a href="#">PPLT00309-P</a>	0-10V Dimming (to 0.1%)	120-277VAC to 350mA, 50W, Class 2	1-1
<a href="#">PPLT00538-P</a>	0-10V Dimming (to 0.1%)	120-277VAC to 350mA, 100W, Class 2	1-4

## Suggested Lutron Compatible

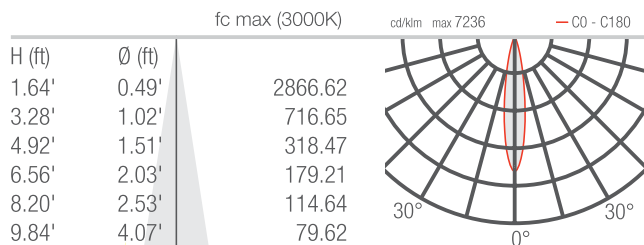
Part Number	Option	Lutron SKU	Dim Range	Description	Input/Output	# of Fixtures
<a href="#">PPLT00179</a>	L3DA3W / L3DAE	L3DA	100%-1%	Hi-Lume™ 1% 3-Wire or 1% EcoSystem™ LED Driver	120-277VAC to 350mA, 19W, Class 2	1-1

For other power supply options consult factory.

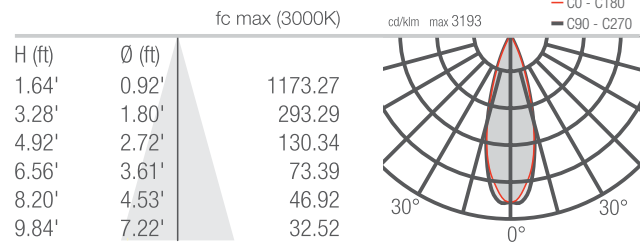
## PHOTOMETRIC DATA

Note all Photometry is 3000K, CRI 90

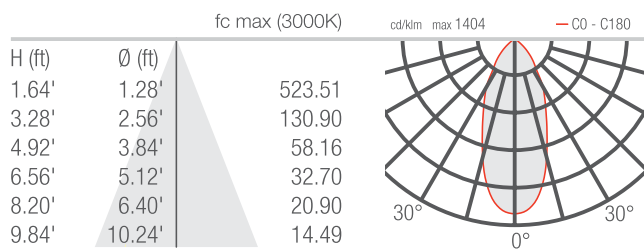
### S - 17°



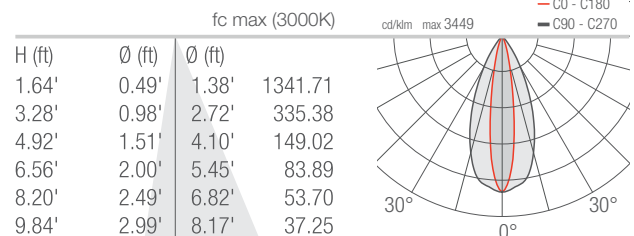
### F - 30°



### L - 42°



### W - 17°x45°



Job Name/Date:

Fixture Type Designation: