

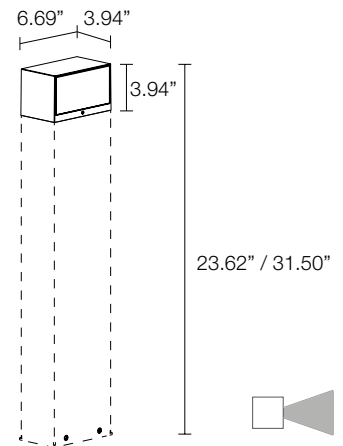
Bitta is a unidirectional outdoor bollard suitable for lighting in gardens, parks and small paths. It comes with asymmetrical optics and is available in 2 different heights and 4 standard finishes.



TECHNICAL DATA

Wattage / Input	10W (120-277VAC)
Power Supply	Integral
Construction	Body: Aluminum Alloy EN AB 47100 Column: Stainless Steel Lens: Tempered, Serigraphed, Extra-Clear Glass
CCT	2700K, 3000K, 4000K, 5000K
CRI	CRI >80
Delivered Lumens	256 lm (3000K)
Efficacy	25.6 lm/W (3000K)
Optics	Asymmetrical
Finishes	4 Standard, Custom RAL (see below)
Fixture Dimensions	6.69" l x 3.94" w x 23.62" / 31.50" h
Fixture Weight	11.24 lbs (23.62" h), 12.13 lbs (31.50" h)
LED Source	5 Power LEDs
Lumen Maintenance	L90, B10 >50,000hrs (Ta 25°C)
Color Consistency	1/4 ANSI BIN
Operating Temp.	-4°F to +113°F
IP Rating	IP65
Impact Resistance	IK07

Fixture Dimensions



**BOLLARD COLUMN REQUIRED.
ORDERED SEPARATELY FROM
FIXTURE, SEE PAGE 2.**

ORDERING INFORMATION

Example: *BT10105AH. Accessories ordered separately.*

BT1010		A	
Model No.	CCT	Optics	Finish
BT1010	F - 2700K	A - Asymmetrical	E - White
	5 - 3000K		F - Grey
	9 - 4000K		H - Anthracite
	0 - 5000K		T - Cor-ten
			C - Custom RAL <i>(Consult factory for "C")</i>

Job Name/Date:

Fixture Type Designation:

ACCESSORIES

Installation



WT60600_
 Column (Length 23.62" including head)
 Include one of the below finishes:
E - White
F - Gray
H - Anthracite
T - Cor-ten
C - Custom RAL

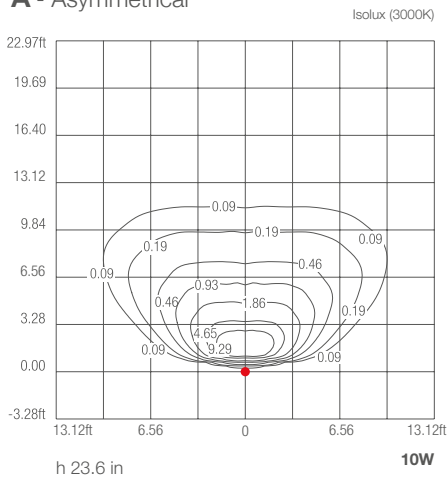


WT60800_
 Column (Length 31.50" including head)
 Include one of the below finishes:
E - White
F - Gray
H - Anthracite
T - Cor-ten
C - Custom RAL

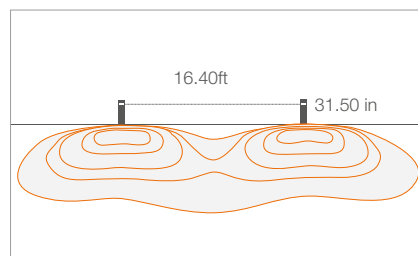
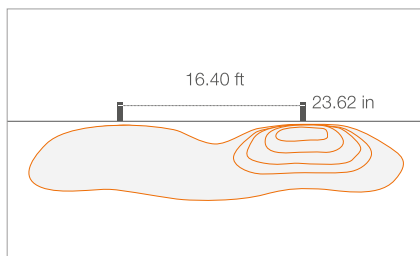
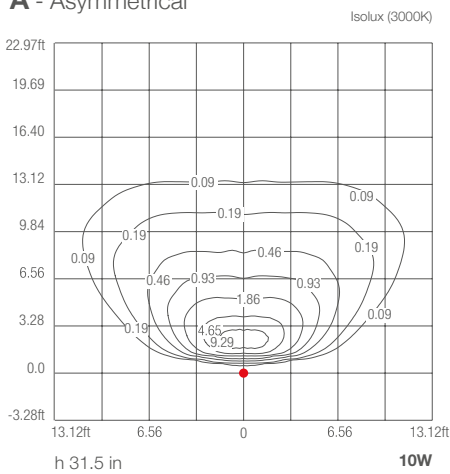
PHOTOMETRIC DATA

Note all Photometry is 3000K

A - Asymmetrical



A - Asymmetrical



Job Name/Date:

Fixture Type Designation: