

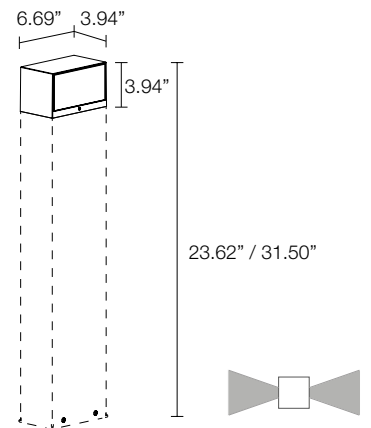
Bitta is a bidirectional outdoor bollard suitable for lighting in gardens, parks and small paths. It comes with asymmetrical optics and is available in 2 different heights with a double beam and 4 standard finishes.



TECHNICAL DATA

Wattage / Input	20W (120-277VAC)
Power Supply	Integral
Construction	Body: Aluminum Alloy EN AB 47100 Column: Stainless Steel Lens: Tempered, serigraphed, extra-clear glass
CCT	2700K, 3000K, 4000K, 5000K
CRI	CRI >80
BUG Rating	B0-U1-G1 (3000K)
Delivered Lumens	512 lm (3000K)
Efficacy	51.2 lm/W (3000K)
Optics	Asymmetrical
Finishes	4 Standard, Custom RAL (see below)
Fixture Dimensions	6.69" l x 3.94" w x 23.62"/31.50" h
Fixture Weight	13.23 lbs (23.62" h), 14.11 lbs (31.50" h)
LED Source	5 Power LEDs (per beam)
Lumen Maintenance	L90, B10 >50,000hrs (Ta 25°C)
Color Consistency	1/4 ANSI BIN
Operating Temp.	-4°F to +113°F
IP Rating	IP65
Impact Resistance	IK07

Fixture Dimensions



**BOLLARD COLUMN REQUIRED.
ORDERED SEPARATELY FROM
FIXTURE, SEE PAGE 2.**

ORDERING INFORMATION

Example: *BT11105AH*. Accessories ordered separately.

BT1110		A	
Model No.	CCT	Optics	Finish
BT1110	F - 2700K 5 - 3000K 9 - 4000K 0 - 5000K	A - Asymmetrical	E - White F - Grey H - Anthracite T - Cor-ten C - Custom RAL (consult factory for "C")

Job Name/Date:

Fixture Type Designation:

ACCESSORIES

Installation



WT60600_
 Column (Length 23.62" including head)
 Include one of the below finishes:
E - White
F - Gray
H - Anthracite
T - Cor-ten
C - Custom RAL

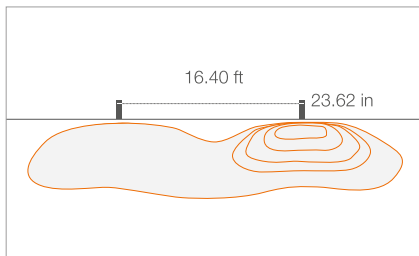
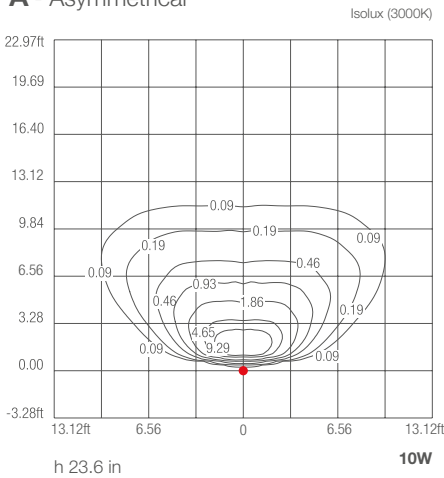


WT60800_
 Column (Length 31.50" including head)
 Include one of the below finishes:
E - White
F - Gray
H - Anthracite
T - Cor-ten
C - Custom RAL

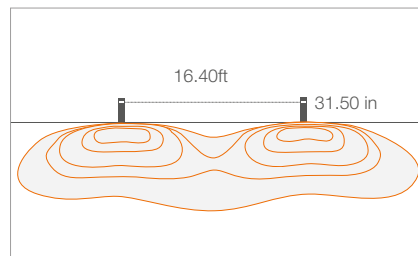
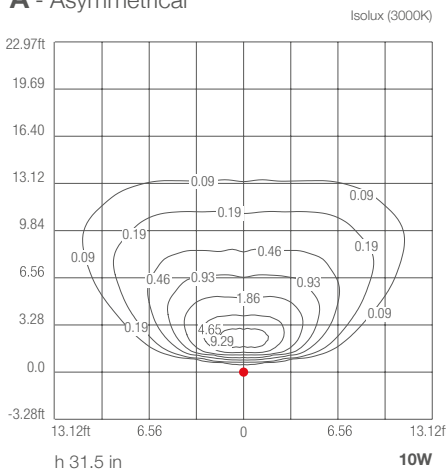
PHOTOMETRIC DATA

Note all Photometry is 3000K

A - Asymmetrical



A - Asymmetrical



Job Name/Date:

Fixture Type Designation: