

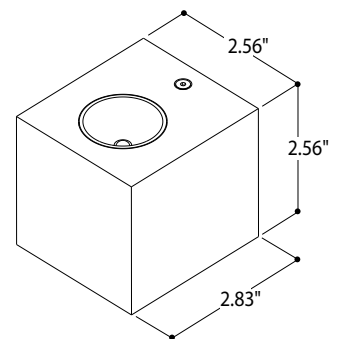
BLOX DOUBLE BEAM

Blox is a surface mounted LED suitable for indoor installation on walls. It is available in 2 color temperatures and 4 standard finishes with a single beam up or down beam or both an up and down beam.



ADA Compliant

Fixture Dimensions



TECHNICAL DATA

Wattage / Input	2 X 1.2W (350mA)
Power Supply	Remote, not included. See page 2.
Construction	Body: Extruded Aluminum
CCT	2700K, 3000K
CRI	>75
Delivered Lumens	94 lm per beam (3000K)
Efficacy	78.3 lm/W per beam
Optics	—
Finishes	Textured White + Chrome Brushed Aluminum Black + Gold Textured Black + CU ₂₉
LED Source	CREE XPG Power LED
Fixture Dimensions	2.56" l x 2.83" w x 2.56" h
Fixture Weight	1.98 lbs
IP Rating	IP20

ORDERING INFORMATION

Example: T175366. Power Supplies ordered separately.

Model No.	Description
T175377	2700K, Textured White + Chrome
T175378	2700K, Brushed Aluminum
T175576	2700K, Black + Gold
T175556	2700K, Textured Black + CU ₂₉
T175397	3000K, Textured White + Chrome
T175398	3000K, Brushed Aluminum
T175596	3000K, Black + Gold
T175366	3000K, Textured Black + CU ₂₉

Job Name/Date:

Fixture Type Designation:

SUGGESTED POWER SUPPLIES

350mA

Part Number	Description	Input/Output	# of Fixtures
PPLT00138	0-10V Dimming to 10%	120-277VAC to 350mA, 4W, Class 2	1-1
PPLT00496	Phase Dim (120V only)	120VAC to 350mA, 12W, Class 2	2-4
PPLT00308-P	0-10V Dimming to 0.1%	120-277VAC to 350mA, 30W, Class 2	1-8
PPLT00467-P	0-10V Dimming to 1.0%	120-277VAC to 350mA, 50W, Class 2	1-8
PPLT00538-P	0-10V Dimming to 0.1%	120-277VAC to 350mA, 100W, Class 2	1-32

Suggested Lutron Compatible

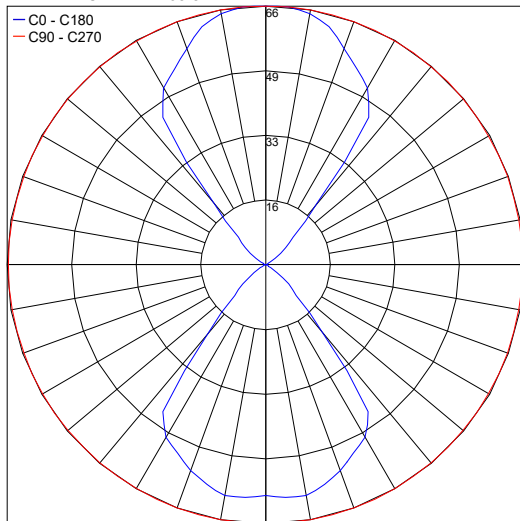
Part Number	Option	Lutron SKU	Dim Range	Description	Input/Output	# of Fixtures
PPLT00247	L3DAE / L3DA3W	L3DA	100%-1%	Hi-Lume™ 1% EcoSystem™ OR 1% 3-Wire LED Driver	120-277VAC to 350mA, 7W, Class 2	2-2
PPLT00516	L3DAE / L3DA3W	L3DA	100%-1%	Hi-Lume™ 1% EcoSystem™ OR 1% 3-Wire LED Driver	120-277VAC to 350mA, 13W, Class 2	3-5
PPLT00179	L3DAE / L3DA3W	L3DA	100%-1%	Hi-Lume™ 1% EcoSystem™ OR 1% 3-Wire LED Driver	120-277VAC to 350mA, 19W, Class 2	6-8

For other power supply options consult factory.

PHOTOMETRIC DATA

Note all Photometry is 3000K

Maximum Candela = 65.8



Job Name/Date:

Fixture Type Designation: