

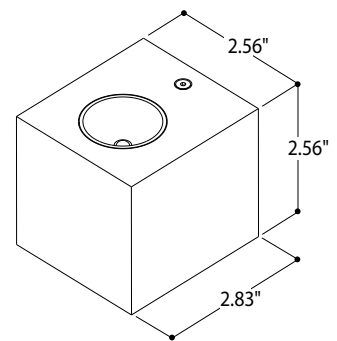
# BLOX DOUBLE BEAM

Blox is a surface mounted LED suitable for indoor installation on walls. It is available in 2 color temperatures and 4 standard finishes with a single beam up or down beam or both an up and down beam.



ADA Compliant

Fixture Dimensions



## TECHNICAL DATA

<b>Wattage / Input</b>	2 X 1.2W (350mA)
<b>Power Supply</b>	Remote, not included. See page 2.
<b>Construction</b>	Body: Extruded Aluminum
<b>CCT</b>	2700K, 3000K
<b>CRI</b>	>80
<b>Delivered Lumens</b>	94 lm per beam (3000K)
<b>Efficacy</b>	78.3 lm/W per beam
<b>Optics</b>	70°
<b>Finishes</b>	4 Standard, See Below
<b>LED Source</b>	CREE XPE WW LED
<b>Fixture Dimensions</b>	2.56" l x 2.83" w x 2.56" h
<b>Fixture Weight</b>	1.98 lbs
<b>IP Rating</b>	IP20

## ORDERING INFORMATION

Example: T175366. Power Supplies ordered separately.

Model No.	Description
T175377	2700K, Textured White + Chrome
T175378	2700K, Brushed Aluminum + Brushed Aluminum
T175576	2700K, Textured Black + Gold Anodized
T175356	2700K, Textured Black + Red Copper
T175397	3000K, Textured White + Chrome
T175398	3000K, Brushed Aluminum + Brushed Aluminum
T175596	3000K, Textured Black + Gold Anodized
T175366	3000K, Textured Black + Red Copper

Job Name/Date:

Fixture Type Designation:

## SUGGESTED POWER SUPPLIES

350mA

Part Number	Description	Input/Output	# of Fixtures
<a href="#">PPLT00138</a>	0-10V Dimming to 10%	120-277VAC to 350mA, 4W, Class 2	1-1
<a href="#">PPLT00496</a>	Phase Dim (120V only)	120VAC to 350mA, 12W, Class 2	2-4
<a href="#">PPLT00467-P</a>	0-10V Dimming to 1.0%	120-277VAC to 350mA, 50W, Class 2	1-8
<a href="#">PPLT00561-P</a>	0-10V Dimming to 0.1%	120-277VAC to 350mA, 100W, Class 2	1-8

## Suggested Lutron Compatible

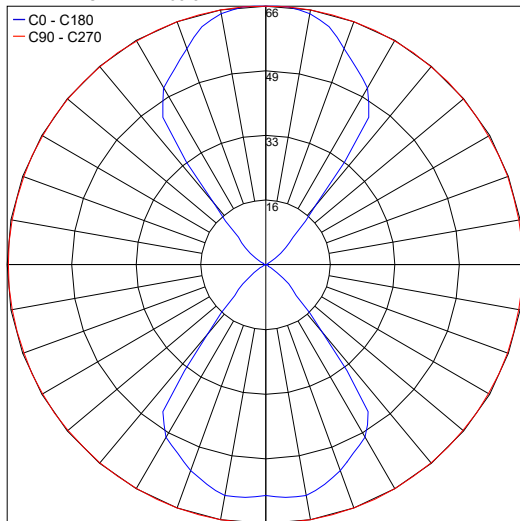
Part Number	Option	Lutron SKU	Dim Range	Description	Input/Output	# of Fixtures
<a href="#">PPLT00247</a>	L3DAE / L3DA3W	L3DA	100%-1%	Hi-Lume™ 1% EcoSystem™ OR 1% 3-Wire LED Driver	120-277VAC to 350mA, 7W, Class 2	2-2
<a href="#">PPLT00516</a>	L3DAE / L3DA3W	L3DA	100%-1%	Hi-Lume™ 1% EcoSystem™ OR 1% 3-Wire LED Driver	120-277VAC to 350mA, 13W, Class 2	3-5
<a href="#">PPLT00179</a>	L3DAE / L3DA3W	L3DA	100%-1%	Hi-Lume™ 1% EcoSystem™ OR 1% 3-Wire LED Driver	120-277VAC to 350mA, 19W, Class 2	6-8

For other power supply options consult factory.

## PHOTOMETRIC DATA

Note all Photometry is 3000K

Maximum Candela = 65.8



Job Name/Date:

Fixture Type Designation: