

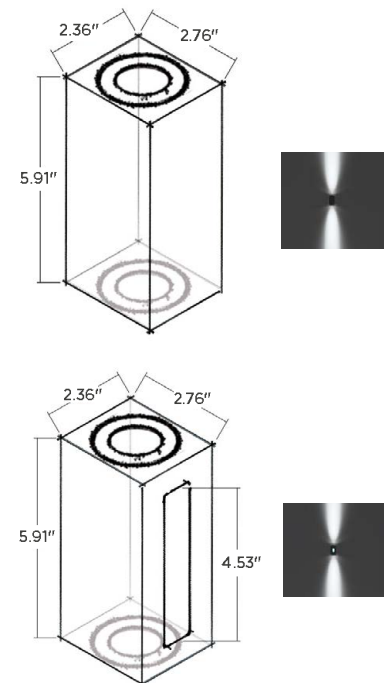
Brick is a wall mounted, graphic light that highlights outdoor areas essential for public and private life. It is available with a single beam or both an up and down beam, as well as a light strip on the front of the fixture as a marking element. Brick 2 is the double beam version with 3 optics options and 5 standard finishes.



## TECHNICAL DATA

<b>Wattage / Input</b>	2.2W per beam (24VDC) (+ 1W Brick 2F with front light)
<b>Power Supply</b>	Remote, not included. See page 2.
<b>Construction</b>	Body: Anticorodal Aluminum (Anodizing Treatment up to 18 Micron) Lens: Extra Clear Tempered Glass Front Lens: Polished White Milk PMMA (Acrylic) Fixing Bracket/Screws: Stainless Steel Cable Length: 1.64'
<b>CCT</b>	3000K, 4000K
<b>BUG Rating</b>	B0-U3-G0
<b>Delivered Lumens</b>	214 lm per beam (Brick 2 - 3000K) 214 lm per beam + 102 lm (Brick 2F - 3000K)
<b>Efficacy</b>	93.7 lm/W per beam (Brick 2 - 3000K) 93.7 lm/W per beam + 102 lm/W (Brick 2F - 3000K)
<b>Optics</b>	3 Standard, See Below
<b>Finishes</b>	5 Standard, See Below
<b>Fixture Dimensions</b>	2.76" x 2.36" x 5.91" h (opening on Brick 2F - 4.53" h)
<b>Color Consistency</b>	<3-Step MacAdam
<b>IP Rating</b>	IP65
<b>Impact Resistance</b>	IK07

Fixture Dimensions



## ORDERING INFORMATION

Example: LM02.100234.US.02.MD.BP. Power supplies ordered separately.

<input type="text"/>	<input type="text"/>	<input type="text"/>	<input type="text"/>	<input type="text"/>
Model No.	Finish	Optic	CCT	Front CCT
LM02.100233.US (Brick 2)	01 - White	SP - 10-15°	BP - 3000K	RE - Red
LM02.100234.US (Brick 2F)	02 - Black	MD - 20-35°	BF - 4000K	GR - Green
	03 - Gray	FL - 40-55°		BL - Blue
	04 - Cor-ten			<b>NOTE:</b> Front light on Brick 1F model only
	11 - Anthracite			

Job Name/Date:

Fixture Type Designation:

## SUGGESTED POWER SUPPLIES

24VDC

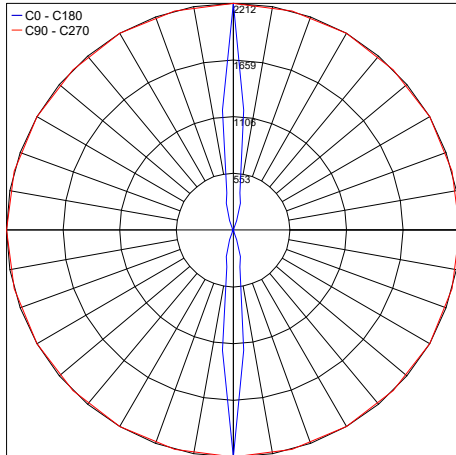
Part Number	Description	Input/Output	# of Fixtures	
			Brick 2	Brick 2-F
<a href="#">PPLT00149</a>	Non-Dim	120VAC to 24VDC, 10W, Class 2, IP65	1-1	1-1
<a href="#">PPLT00632</a>	0-10V Dimming (Dim to Off)	120-277VAC to 24VDC, 12W, Class 2	1-2	1-1
<a href="#">PPLT00056</a>	Non-Dim	120V-277AC to 24VDC, 26W, Class 2, IP66	1-4	1-3
<a href="#">PPLT00155</a>	Non-Dim	120VAC to 24VDC, 30W, Class 2	1-5	1-4
<a href="#">PPLT00157</a>	Non-Dim	120VAC to 24VDC, 60W, Class 2	1-10	1-8
<a href="#">PPLT00599</a>	ELV/TRIAC & 0-10V Dimming (100-0%)	120-277VAC to 24VDC, 96W, Class 2	1-17	1-14
<a href="#">PPLT00158</a>	Non-Dim	120VAC to 24VDC, 100W, Class 2	1-18	1-14
<a href="#">PPLT00543</a>	0-10V Dimming to 15% (-40°C / -40°F cold weather start)	120-277VAC to 24VDC, 100W, Class 2	3-18	1-14

For other power supply options consult factory.

## PHOTOMETRIC DATA

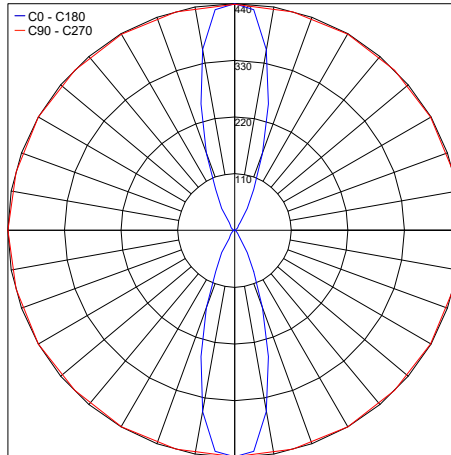
Note: All photometric data is 3000K

Maximum Candela = 2211.5



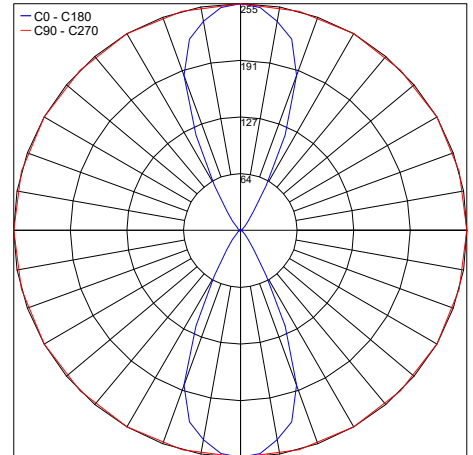
PHOTOMETRIC FILENAME : BRICK 2 02.100233.XX.SP.BP.IES

Maximum Candela = 440.1



PHOTOMETRIC FILENAME : BRICK 2 02.100233.XX.MD.BP.IES

Maximum Candela = 254.7



PHOTOMETRIC FILENAME : BRICK 2 02.100233.XX.FL.BP.IES

Job Name/Date:

Fixture Type Designation: