

BRIGHT 5.F

The Bright 5.F is a small, powerful IP69K outdoor recessed fixture. It is available in white light with 8 different optics options. This fixture can be installed in-grade, wall or ceiling mount. Not suitable for use in swimming pools or fountains. Drive-over rated up to 8,800 lbs.

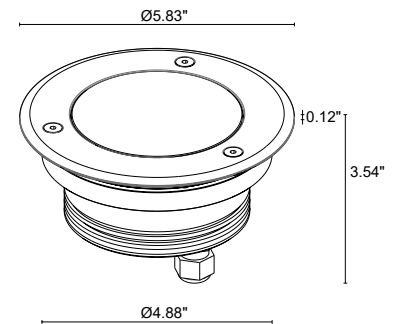
TECHNICAL DATA

Wattage / Input	14W, 19W (24VDC)
Power Supply	Remote, not included. See page 2.
Construction	Body: Anodized Aluminum EN AW 6082 Trim: AISI 316L Stainless Steel Lens: Tempered Serigraphed-Gray and Transparent Extra-Clear Glass Cable Length: 4.92' standard
CCT	2700K, 3000K, 4000K
CRI	>80, >90
BUG Rating	B0-U4-G0 (3000K, CRI80/90, 14W, V, S, L, W) B0-U5-G0 (3000K, CRI80/90, 19W, V, S, L, W)
Delivered Lumens	See Delivered Lumens Chart
Efficacy	54.2-58.6 lm/W (14W), 58.8-63.6 lm/W (19W)
Optics	8 Standard (see below)
Finishes	Stainless Steel
Fixture Dimensions	Ø5.83" x 3.54" h
Cut-out Size	Ø4.92" (for ceiling or wall installations)
Fixture Weight	2.98 lbs
LED Source	3 High-Intensity Power LEDs
Lumen Maintenance	L95, B10 >50,000hrs (Ta 25°C)
Color Consistency	3-Step MacAdam
Operating Temp.	-4°F to +113°F
IP Rating	IP65, IP68, IP69
IK Rating	IK10



Cutout Dimensions for ceiling/wall installations with fixing spring = Ø4.92"

Fixture Dimensions



Delivered Lumens (3000K, 12°)	14W	19W
CRI 80	821 lm	1208 lm
CRI 90	759 lm	1117 lm

ORDERING INFORMATION

Example: CB3F001000FM or CB3F001000FM-2. Accessories / Power Supplies ordered separately.

Model No.	CRI	Optical Accessories	CCT	Optics	Finish	Cable Length
CB5F00 (14W)	0 - CRI>80	000 - None	F0 - 2700K	V - 10°	I - Stainless Steel	4.92' standard
CB5F01 (19W)	1 - CRI>90	001 - Honeycomb Louvre <i>Honeycomb Louvre not available with 67° x 11° adjustable optics</i>	50 - 3000K	T - 12°		1 - 16.40'
			90 - 4000K	S - 18°		2 - 32.81'
				M - 31°		3 - 49.21'
						4 - 65.62'

Job Name/Date:

Fixture Type Designation:

SUGGESTED POWER SUPPLIES

24VDC

Part Number	Description	Input/Output	# of Fixtures	
			14W	19W
PPLT00481	Non-Dim	120-277VAC to 24VDC, 24W, Class 2	1-1	1-1
PPLT00586	Non-Dim	120-277VAC to 24VDC, 40W, Class 2	1-2	1-1
PPLT00709	ELV / TRIAC & 0-10V Dimming	120-277VAC to 24VDC, 96W, Class 2, DAMP	1-5	1-4
PPLT00543	0-10V Dimming to 15% (-40°C / -40°F cold weather start)	120-277VAC to 24VDC, 100W, Class 2	1-5	1-4


Suggested Lutron Compatible

Part Number	Option	Lutron SKU	Dim Range	Description	Input/Output	# of Fixtures	
						14W	19W
PPLT00273	L3DAE / L3DA3W	L3DA	100%-1%	Hi-Lume™ 1% EcoSystem™ or 1% 3-Wire LED Driver	120-277VAC to 24VDC, 40W, Class 2	1-2	1-1
PPLT00530	L3DAE / L3D0	L3DA/L3D0	100%-1%	Hi-Lume™ 0.1% EcoSystem™ or 3-Wire LED Driver	120-277VAC to 24VDC, 96W, Class 2	1-5	1-4


For other power supply options consult factory.

ACCESSORIES


Installation




WC0501
Outer Casing
For in-grade use



WC0601
Outer Casing
For in-grade use



WC0701
Outer Casing
For in-grade use

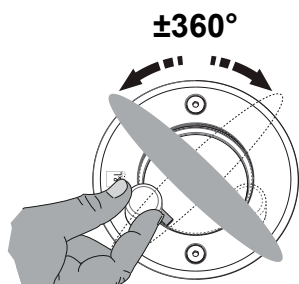


WG0200
Fixing Spring
For ceiling/wall use

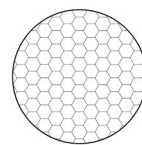
Other Parts



WE0201
Magnet for 67°x11° adjustable optics



Anti-glare



Honeycomb Louvre
Can be provided on all fixed optics except for 67°x11° (W)
*Order together with lighting fixture

Optics: 10°, 18°, 31°, 35°, 56°: optical system consisting of 3 high-efficiency TIR lenses combined with a high-quality technical filter, 12°: optical system consisting of 3 high-efficiency TIR lenses, 15°x47°: optical system consisting of 3 high-efficiency TIR lenses with elliptical emission, combined with a high-quality technical filter, 67°x11° adjustable through 360°: optical system consisting of 3 high-efficiency TIR lenses combined with a high-quality elliptical technical filter and integrated with magnetic material for adjusting the ellipsis (patented).

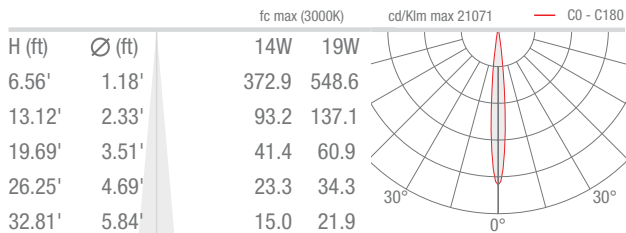
Job Name/Date:

Fixture Type Designation:

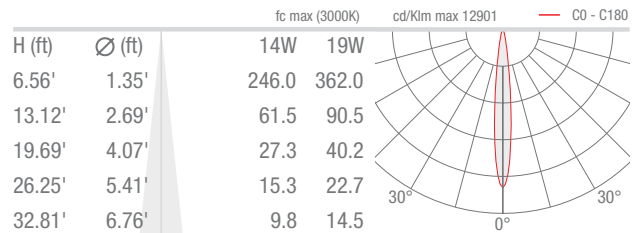
PHOTOMETRIC DATA

Note all Photometry is 3000K

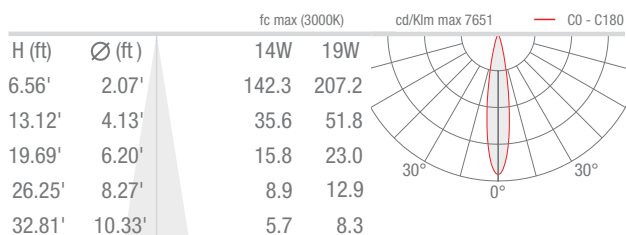
V – 10° CRI 80



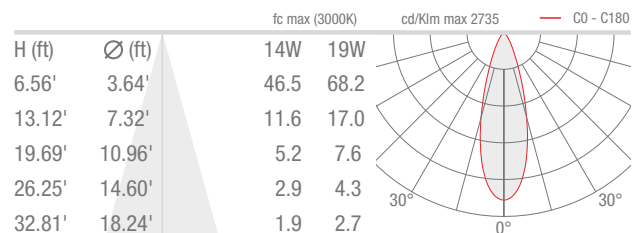
T – 12° CRI 80



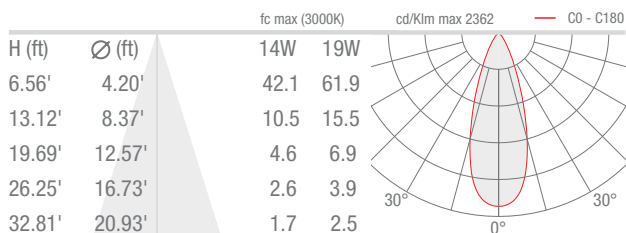
S – 18° CRI 80



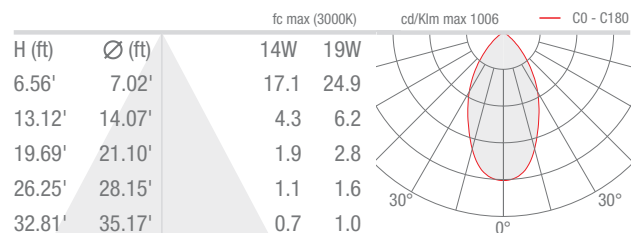
M – 31° CRI 80



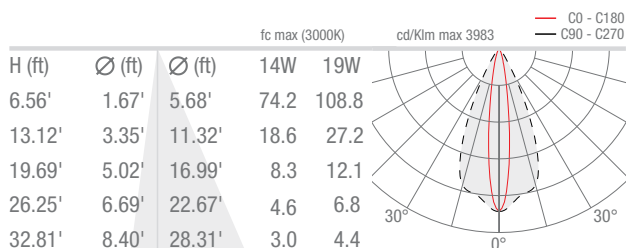
L – 35° CRI 80



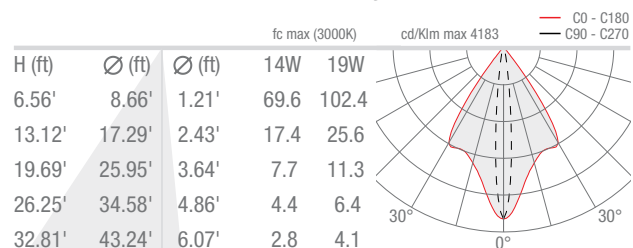
K – 56° CRI 80



W – 15°x47° CRI 80



X – 67°x11° CRI 80 Adjustable



Job Name/Date:

Fixture Type Designation: