

# BRIGHT 5.G

The Bright 5.G is a small, powerful outdoor recessed fixture. It is available in white light with 4 optics options that are adjustable  $\pm 10^\circ$ . This fixture can be installed in-grade, wall or ceiling mount. Drive-over rated up to 8,800 lbs.

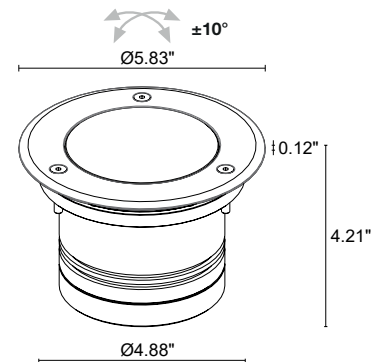
## TECHNICAL DATA

<b>Wattage / Input</b>	10W, 16W (24VDC)
<b>Power Supply</b>	Remote, not included. See page 2.
<b>Construction</b>	Body: Anodized Aluminum EN AW 6082 Trim: AISI 316L Stainless Steel Lens: Tempered Serigraphed-Gray and Transparent Extra-Clear Glass Cable Length: 4.92' (standard) - other lengths available
<b>CCT</b>	2700K, 3000K, 4000K
<b>CRI</b>	>80, >90
<b>BUG Rating</b>	B0-U3-G0 (3000K, 10W, >90, 31°) B0-U4-G0 (3000K, 10W, >80) B0-U4-G0 (3000K, 10W, >90, 12°, 38°, 55°) B0-U4-G0 (3000K, 16W, 12°, 31°) B0-U5-G0 (3000K, 16W, 38°, 55°)
<b>Delivered Lumens</b>	See Delivered Lumens Chart
<b>Efficacy</b>	64.8-81.6 lm/W
<b>Optics</b>	4 Standard - Adjustable $\pm 10^\circ$ (see below)
<b>Finishes</b>	Stainless Steel
<b>Fixture Dimensions</b>	$\varnothing 5.83" \times 4.21" \text{ h}$
<b>Cut-out Size</b>	$\varnothing 4.92"$ (for ceiling or wall installations)
<b>Fixture Weight</b>	3.64 lbs
<b>LED Source</b>	1 High Intensity COB LED
<b>Lumen Maintenance</b>	L90, B10 >50,000hrs (Ta 25°C)
<b>Color Consistency</b>	3-Step MacAdam
<b>Operating Temp.</b>	-4°F to +113°F
<b>IP Rating</b>	IP65, IP67, IP69
<b>IK Rating</b>	IK09



Cutout Dimensions for ceiling/wall installations with fixing spring =  $\varnothing 4.92"$

Fixture Dimensions



Delivered Lumens (3000K, 55°)	10W	16W
<b>CRI 80</b>	816 lm	1235 lm
<b>CRI 90</b>	686 lm	1037 lm

## ORDERING INFORMATION

Example: CB5G001000F0M1 or CB5G001000F0M1-2. Accessories / Power Supplies ordered separately.

Model No.	CRI	Optical Accessories	CCT	Optics	Finish	Cable Length
CB5G00 (10W)	0 - CRI>80	000 - None	F0 - 2700K	S - 12° adjustable $\pm 10^\circ$	I - Stainless Steel	4.92' standard
CB5G01 (16W)	1 - CRI>90	001 - Honeycomb Louvre	50 - 3000K 90 - 4000K	M - 31° adjustable $\pm 10^\circ$ L - 38° adjustable $\pm 10^\circ$ K - 55° adjustable $\pm 10^\circ$		1 - 16.40' 2 - 32.81' 3 - 49.21' 4 - 65.62'

Job Name/Date:

Fixture Type Designation:

## SUGGESTED POWER SUPPLIES

24VDC

Part Number	Description	Input/Output	# of Fixtures	
			10W	16W
<a href="#">PPLT00481</a>	Non-Dim	120-277VAC to 24VDC, 24W, Class 2	1-1	1-1
<a href="#">PPLT00586</a>	Non-Dim	120-277VAC to 24VDC, 40W, Class 2	1-3	1-2
<a href="#">PPLT00709</a>	ELV / TRIAC & 0-10V Dimming	120-277VAC to 24VDC, 96W, Class 2, DAMP	1-7	1-4
<a href="#">PPLT00543</a>	0-10V Dimming to 15% (-40°C / -40°F cold weather start)	120-277VAC to 24VDC, 100W, Class 2	1-8	1-5

## Suggested Lutron Compatible

Part Number	Option	Lutron SKU	Dim Range	Description	Input/Output	# of Fixtures	
						10W	16W
<a href="#">PPLT00273</a>	L3DAE / L3DA3W	L3DA	100%-1%	Hi-Lume™ 1% EcoSystem™ or 1% 3-Wire LED Driver	120-277VAC to 24VDC, 40W, Class 2	1-3	1-2
<a href="#">PPLT00530</a>	L3DAE / L3D0	L3DA/L3D0	100%-1%	Hi-Lume™ 0.1% EcoSystem™ or 3-Wire LED Driver	120-277VAC to 24VDC, 96W, Class 2	1-7	1-4

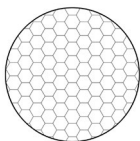
For other power supply options consult factory.

## ACCESSORIES

### Installation



### Anti-glare



#### Honeycomb Louvre\*

\*Order together with lighting fixture

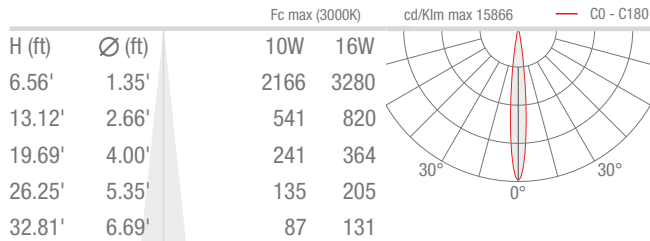
Job Name/Date:

Fixture Type Designation:

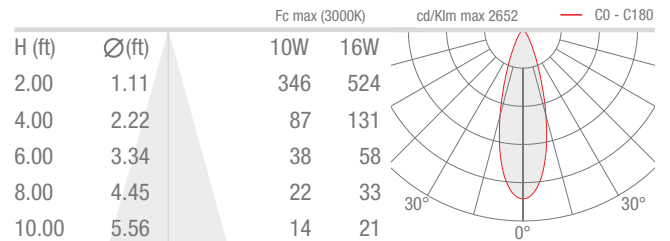
## PHOTOMETRIC DATA

Note all Photometry is 3000K

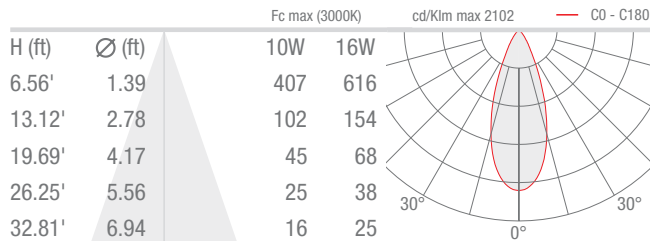
### S – 12° CRI 80



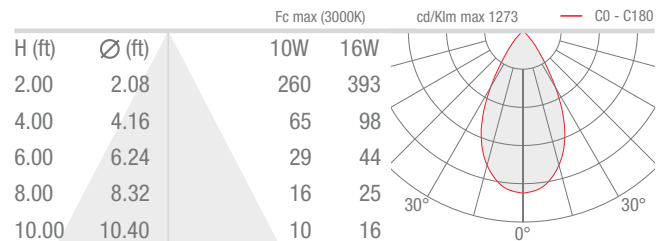
### M – 31° CRI 80



### L – 38° CRI 80



### K – 55° CRI 80



Job Name/Date:

Fixture Type Designation: