

BRIGHT 5.G

The Bright 5.G is a small, powerful outdoor recessed fixture. It is available in white light with 4 optics options that are adjustable $\pm 10^\circ$. This fixture can be installed in-grade, wall or ceiling mount. Drive-over rated up to 8,800 lbs.

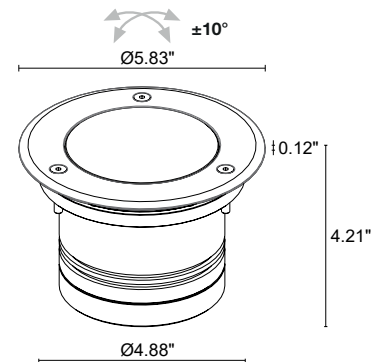
TECHNICAL DATA

Wattage / Input	10W, 16W (24VDC)
Power Supply	Remote, not included. See page 2.
Construction	Body: Anodized Aluminum EN AW 6082 Trim: AISI 316L Stainless Steel Lens: Tempered Serigraphed-Gray and Transparent Extra-Clear Glass Cable Length: 4.92' (standard) - other lengths available
CCT	2700K, 3000K, 4000K
CRI	>80, >90
BUG Rating	B0-U3-G0 (3000K, 10W, >90, 31°) B0-U4-G0 (3000K, 10W, >80) B0-U4-G0 (3000K, 10W, >90, 12°, 38°, 55°) B0-U4-G0 (3000K, 16W, 12°, 31°) B0-U5-G0 (3000K, 16W, 38°, 55°)
Delivered Lumens	See Delivered Lumens Chart
Efficacy	64.8-81.6 lm/W
Optics	4 Standard - Adjustable $\pm 10^\circ$ (see below)
Finishes	Stainless Steel
Fixture Dimensions	$\varnothing 5.83'' \times 4.21''$ h
Cut-out Size	$\varnothing 4.92''$ (for ceiling or wall installations)
Fixture Weight	3.64 lbs
LED Source	1 High Intensity COB LED
Lumen Maintenance	L90, B10 >50,000hrs (Ta 25°C)
Color Consistency	3-Step MacAdam
Operating Temp.	-4°F to +113°F
IP Rating	IP65, IP67, IP69
IK Rating	IK09



Cutout Dimensions for ceiling/wall installations with fixing spring = $\varnothing 4.92''$

Fixture Dimensions



Delivered Lumens (3000K, 55°)	10W	16W
CRI 80	816 lm	1235 lm
CRI 90	686 lm	1037 lm

ORDERING INFORMATION

Example: CB5G001000F0M1 or CB5G001000F0M1-2. Accessories / Power Supplies ordered separately.

Model No.	CRI	Optical Accessories	CCT	Optics	Finish	Cable Length
CB5G00 (10W)	0 - CRI>80	000 - None	F0 - 2700K	S - 12° adjustable $\pm 10^\circ$	I - Stainless Steel	4.92' standard
CB5G01 (16W)	1 - CRI>90	001 - Honeycomb Louvre	50 - 3000K 90 - 4000K	M - 31° adjustable $\pm 10^\circ$ L - 38° adjustable $\pm 10^\circ$ K - 55° adjustable $\pm 10^\circ$		1 - 16.40' 2 - 32.81' 3 - 49.21' 4 - 65.62'

Job Name/Date:

Fixture Type Designation:

SUGGESTED POWER SUPPLIES

24VDC

Part Number	Description	Input/Output	# of Fixtures	
			10W	16W
PPLT00586	Non-Dim	120-277VAC to 24VDC, 40W, Class 2	1-3	1-2
PPLT00543	0-10V Dimming to 15% (-40°C / -40°F cold weather start)	120-277VAC to 24VDC, 100W, Class 2	1-8	1-5

Suggested Lutron Compatible

Part Number	Option	Lutron SKU	Dim Range	Description	Input/Output	# of Fixtures	
						10W	16W
PPLT00273	L3DAE / L3DA3W	L3DA	100%-1%	Hi-Lume™ 1% EcoSystem™ or 1% 3-Wire LED Driver	120-277VAC to 24VDC, 40W, Class 2	1-3	1-2
PPLT00530	L3DAE / L3D0	L3DA/L3D0	100%-1%	Hi-Lume™ 0.1% EcoSystem™ or 3-Wire LED Driver	120-277VAC to 24VDC, 96W, Class 2	1-7	1-4

DRIVERS IN NEMA ENCLOSURE

Remote 24VDC - ELV / TRIAC / 0-10V



PPLT00715

Part Number	Description	Input/Output	# of Fixtures	
			10W	16W
PPLT00715	ELV / TRIAC / 0-10V Dimming	120-277VAC to 24VDC, 96W, Class 2, WET/DAMP	1-7	1-4

For other power supply options consult factory.

Job Name/Date:

Fixture Type Designation:

ACCESSORIES Installation



WC0601
Outer Casing
For in-grade use

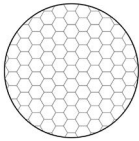


WC0701
Outer Casing
For in-grade use



WG0200
Fixing Spring Ø5.12"
For ceiling/wall use

Anti-glare

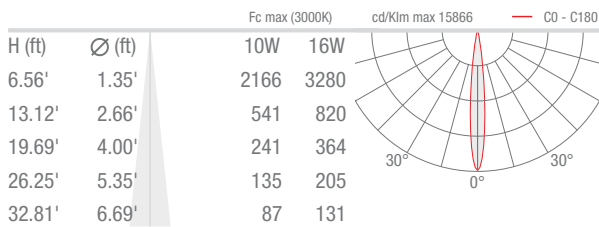


Honeycomb Louvre*
*Order together with lighting fixture

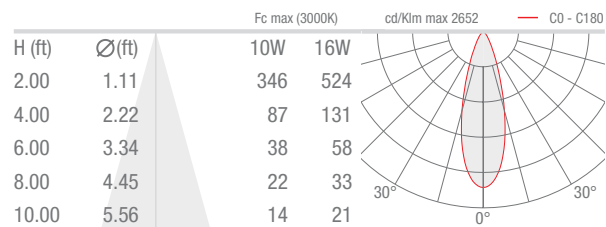
PHOTOMETRIC DATA

Note all Photometry is 3000K

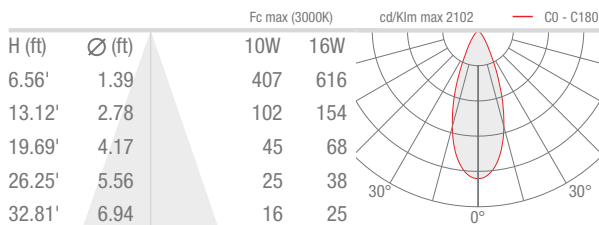
S – 12° CRI 80



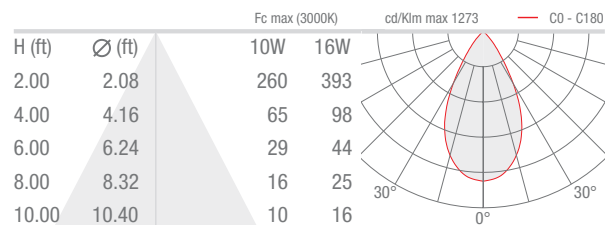
M – 31° CRI 80



L – 38° CRI 80



K – 55° CRI 80



Job Name/Date:

Fixture Type Designation: