

# BRIGHT 1.6 316L

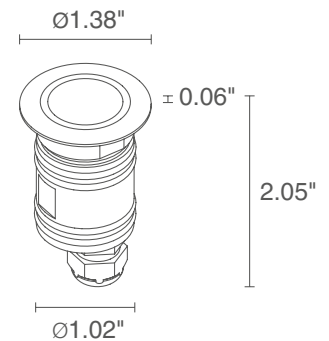
The Bright 1 316L Series are recessed uprights ideal for fountain and submersion use. These small yet powerful fixtures are available in various optical options in either static white or RGB models.

## TECHNICAL DATA

|                           |  |
|---------------------------|--|
| <b>Wattage / Input</b>    | 2W (24VDC)   |
| <b>Power Supply</b>       | Remote, not included. See page 2.  |
| <b>Construction</b>       | Body and Trim: AISI 316L Stainless Steel<br>Lens: 0.39" Tempered, Transparent Extra-Clear Glass<br>Cable Length: 16.4' |
| <b>CCT</b>                | 2700K, 3000K, 4000K, Blue  |
| <b>CRI</b>                | CRI>80   |
| <b>Delivered Lumens</b>   | 127 lm (3000K, 21°)  |
| <b>Efficacy</b>           | 63.5 lm/W  |
| <b>Optics</b>             | 10°, 21°, 43°, Diffuse   |
| <b>Finishes</b>           | AISI 316L Stainless Steel  |
| <b>Fixture Dimensions</b> | Ø1.38" w x 2.05" h   |
| <b>Fixture Weight</b>     | 1.06 lbs   |
| <b>LED Source</b>         | 1 Power LED  |
| <b>Lumen Maintenance</b>  | L90,B10 >60,000hrs (Ta 25°C)   |
| <b>Color Consistency</b>  | 2-Sep MacAdam  |
| <b>Operating Temp.</b>    | -4°F to +113°F (Outdoor)<br>+32°F to +113°F (Underwater)   |
| <b>IP Rating</b>          | IP68   |
| <b>Impact Rating</b>      | IK10   |



Fixture Dimensions  
Ø1.38" x 2.05" h



**OUTER CASING REQUIRED**

## ORDERING INFORMATION

Example: CW16005LI-0. Accessories / Power Supplies ordered separately.

| CW1600    |   |  | I |   |
|-----------|---|--|---|---|
| Model No. | CCT   | Optics                                       |   | Cable Length  |
| CW1600    | F - 2700K<br>5 - 3000K<br>9 - 4000K<br>1 - Blue | D - Diffuse<br>S - 10°<br>M - 21°<br>L - 43° | I | 16.40' standard<br>2 - 32.81'<br>3 - 49.21'<br>4 - 65.62' |

Job Name/Date:

Fixture Type Designation:

## SUGGESTED POWER SUPPLIES

24VDC - FOR USE WITH FOUNTAIN / WATER FEATURES

| Part Number                   | Description                          | Input/Output                       | # of Fixtures |
|-------------------------------|--------------------------------------|------------------------------------|---------------|
| <a href="#">FPV-100000024</a> | Non-Dim                              | 120-277VAC to 24VDC, 100W, Class 2 | 1-40          |
| <a href="#">FPV-100100024</a> | 0-10V Dimming to 1.0%                | 120-277VAC to 24VDC, 100W, Class 2 | 1-40          |
| <a href="#">FPV-100EL0024</a> | DMX / RDM (Field Addressable) / DALI | 120-277VAC to 24VDC, 100W, Class 2 | 1-40          |

For other power supply options consult factory.

## ACCESSORIES

### Installation



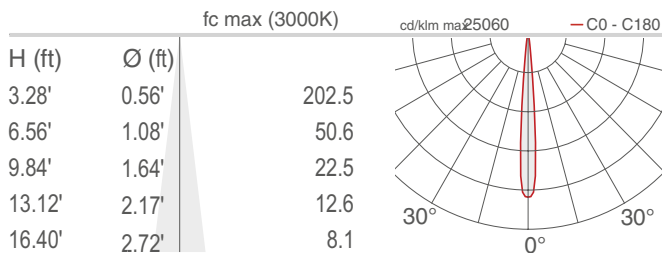
### WC5003

Outer Casing - **REQUIRED**

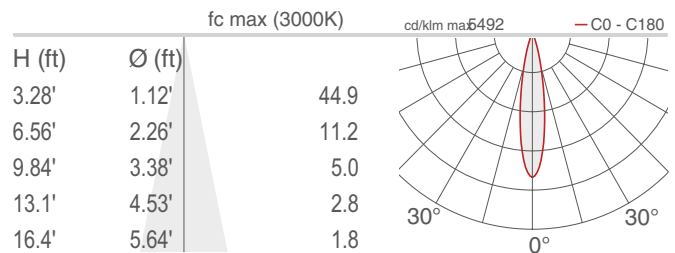
## PHOTOMETRIC DATA

Note all Photometry is 3000K

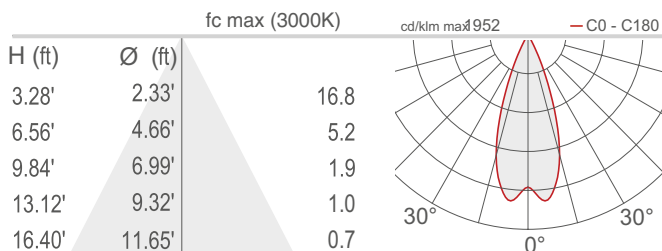
### S - 10°



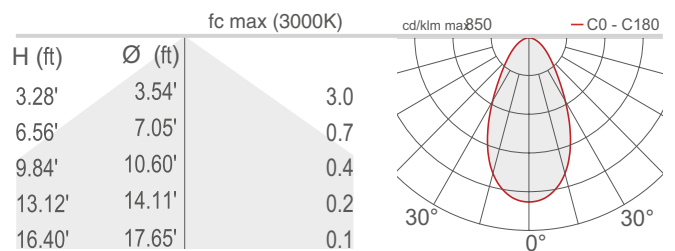
### M - 20°



### L - 40°



### D - Diffuse



Job Name/Date:

Fixture Type Designation: