

# BRIGHT 1.6 316L

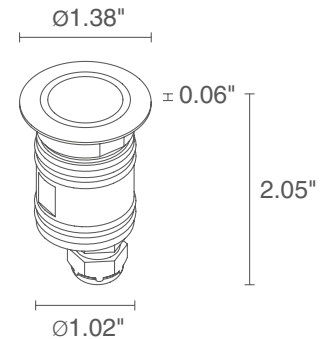
The Bright 1 316L Series are recessed uplights ideal for fountain and submersion use. These small yet powerful fixtures are available in various optical options in either static white or RGB models.

## TECHNICAL DATA

<b>Wattage / Input</b>	2W (24VDC)
<b>Power Supply</b>	Remote, not included. See page 2.
<b>Construction</b>	Body and Trim: AISI 316L Stainless Steel Lens: 0.39" Tempered, Transparent Extra-Clear Glass Cable Length: 16.4'
<b>CCT</b>	2700K, 3000K, 4000K, Blue
<b>CRI</b>	CRI>80
<b>BUG Rating</b>	B0-U0-G0 (3000K, 10°, 43°) B0-U1-G0 (3000K, 21°, Diffuse)
<b>Delivered Lumens</b>	127 lm (3000K, 21°)
<b>Efficacy</b>	63.5 lm/W
<b>Optics</b>	10°, 21°, 43°, Diffuse
<b>Finishes</b>	AISI 316L Stainless Steel
<b>Fixture Dimensions</b>	Ø1.38" w x 2.05" h
<b>Fixture Weight</b>	1.06 lbs
<b>LED Source</b>	1 Power LED
<b>Lumen Maintenance</b>	L90,B10 >60,000hrs (Ta 25°C)
<b>Color Consistency</b>	2-Sep MacAdam
<b>Operating Temp.</b>	-4°F to +113°F (Outdoor) +32°F to +113°F (Underwater)
<b>IP Rating</b>	IP68
<b>Impact Rating</b>	IK10



Fixture Dimensions  
Ø1.38" x 2.05" h



**OUTER CASING REQUIRED**

## ORDERING INFORMATION

Example: CW16005LI-0. Accessories / Power Supplies ordered separately.

CW1600			I	
Model No.	CCT	Optics		Cable Length
CW1600	F - 2700K 5 - 3000K 9 - 4000K 1 - Blue	D - Diffuse S - 10° M - 21° L - 43°	I	16.40' standard 2 - 32.81' 3 - 49.21' 4 - 65.62'

Job Name/Date:

Fixture Type Designation:

## SUGGESTED POWER SUPPLIES

24VDC - FOR USE WITH FOUNTAIN / WATER FEATURES

Part Number	Description	Input/Output	# of Fixtures
<a href="#">FPV-100000024</a>	Non-Dim	120-277VAC to 24VDC, 100W, Class 2	1-40
<a href="#">FPV-100100024</a>	0-10V Dimming to 1.0%	120-277VAC to 24VDC, 100W, Class 2	1-40
<a href="#">FPV-100EL0024</a>	DMX / RDM (Field Addressable) / DALI	120-277VAC to 24VDC, 100W, Class 2	1-40

For other power supply options consult factory.

## ACCESSORIES

### Installation



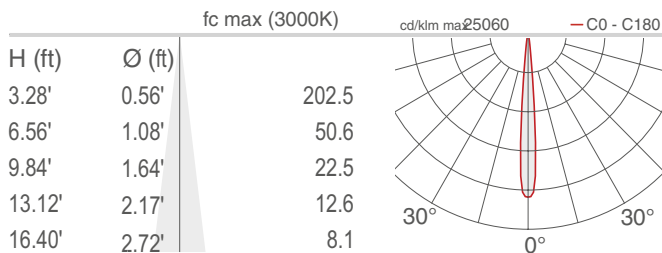
### WC5003

Outer Casing - **REQUIRED**

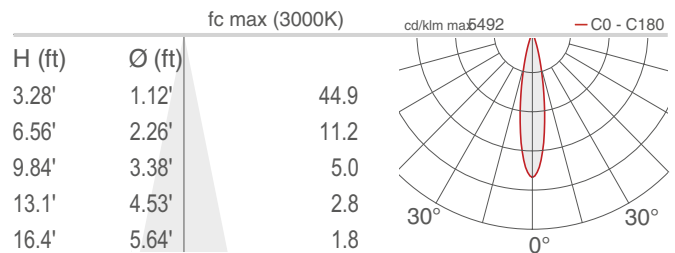
## PHOTOMETRIC DATA

Note all Photometry is 3000K

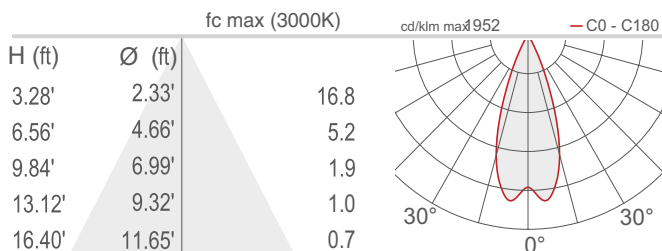
### S - 10°



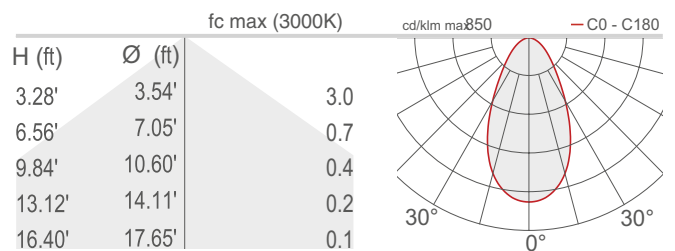
### M - 20°



### L - 40°



### D - Diffuse



Job Name/Date:

Fixture Type Designation: