

BRIGHT 1.8 316L

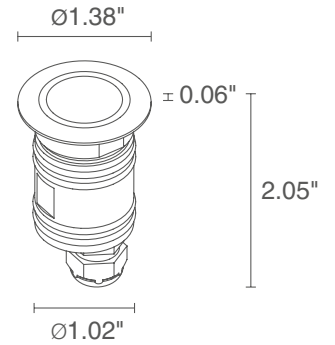
The Bright 1 316L Series are recessed uplights ideal for fountain and submersion use. These small yet powerful fixtures are available in various optical options in static white or RGB. The 1.8 version is RGB.

TECHNICAL DATA

Wattage / Input	1.2W (12VDC)
Power Supply	Remote, not included. See page 2.
Construction	Body and Trim: AISI 316L Stainless Steel Lens: 0.39" Tempered, Transparent Extra-Clear Glass Cable Length: 16.4'
CCT	RGB
CRI	N/A
Delivered Lumens	11 lm: (R) 3 lm, (G) 6 lm, (B) 2 lm (Transparent Diffuse)
Efficacy	9.16 lm/W
Optics	Diffuse (Transparent or Sandblasted)
Finishes	AISI 316L Stainless Steel
Fixture Dimensions	Ø1.38" w x 2.05" h
Fixture Weight	1.06 lbs
LED Source	1 Mid Power LED Full Color
Lumen Maintenance	L95,B10 >50,000hrs (Ta 25°C)
Color Consistency	1/4 ANSI BIN
Operating Temp.	-4°F to +113°F (Outdoor) +32°F to +113°F (Underwater)
IP Rating	IP68
Impact Rating	IK10



Fixture Dimensions
Ø1.38" x 2.05" h



OUTER CASING REQUIRED

ORDERING INFORMATION

Example: CW18006DTI. Accessories / Power Supplies ordered separately.

CW1800	6		I	
Model No.		Optics		Cable Length
CW1800	6	DT - Diffuse Transparent DS - Diffuse Sandblasted	I	16.40' standard 2 - 32.81' 3 - 49.21' 4 - 65.62'

Job Name/Date:

Fixture Type Designation:

SUGGESTED POWER SUPPLIES

12VDC - FOR OUTDOOR USE ONLY

Part Number	Description	Input/Output	# of Fixtures
PPLT00288	DMX / RDM (Field Addressable) / DALI / 0-10V	120-277VAC to 12VDC, 100W, Class 2	1-66

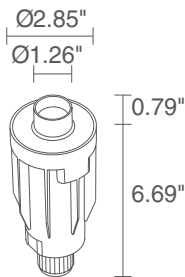
12VDC - FOR USE WITH FOUNTAIN / WATER FEATURES

Part Number	Description	Input/Output	# of Fixtures
FPV-060EL0012	DMX / RDM (Field Addressable) / DALI	120-277VAC to 12VDC, 60W, Class 2	1-40

For other power supply options consult factory.

ACCESSORIES

Installation



WC5003

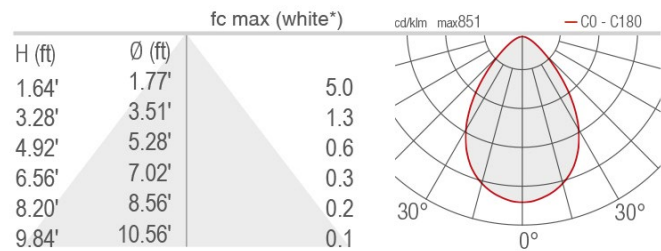
Outer Casing

REQUIRED

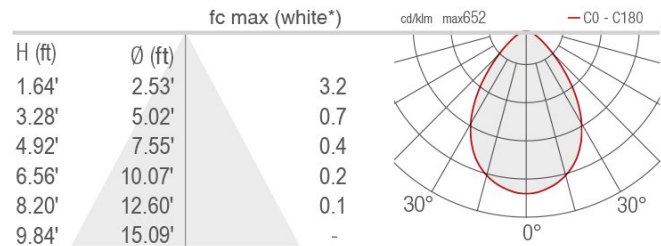
PHOTOMETRIC DATA

*White created by mixing the colors

DT - Diffuse transparent



DS - Diffuse sandblasted



Job Name/Date:

Fixture Type Designation: