

# BROM 2.0

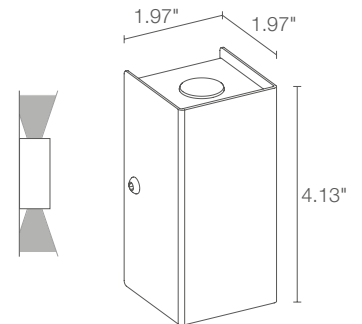
Brom is a line of outdoor wall-mounted luminaires offering a single or double beam and a stainless steel body. It comes in 4 different sizes, white light, and various up or down optics options.



## TECHNICAL DATA

<b>Wattage / Input</b>	4W (500mA)
<b>Power Supply</b>	Remote, not included. See page 2.
<b>Construction</b>	Body/Trim: Stainless Steel 316L Lens: Tempered, Transparent Extra-Clear Glass
<b>CCT</b>	2700K, 3000K, 4000K
<b>CRI</b>	>80
<b>BUG Rating</b>	B0-U3-G0 (3000K)
<b>Delivered Lumens</b>	88 lm per beam (3000K, 20°)
<b>Efficacy</b>	44 lm/W per beam (3000K, 20°)
<b>Optics</b>	10°, 20°, 40°, 10°x45° ( <i>Up and Down options</i> )
<b>Finishes</b>	Stainless Steel
<b>Fixture Dimensions</b>	1.97" l x 1.97" w x 4.13" h
<b>Fixture Weight</b>	0.88 lbs
<b>LED Source</b>	2 Power LEDs (2 x 2W)
<b>Lumen Maintenance</b>	L90, B10>50,000hrs (Ta 25°C)
<b>Color Consistency</b>	1/4 ANSI BIN
<b>Operating Temp.</b>	-4°F to 113°F
<b>IP Rating</b>	IP66
<b>Impact Rating</b>	IK08
<b>JA8</b>	Exempt

Fixture Dimensions



## ORDERING INFORMATION

Example: BR200225MMI. Power supplies ordered separately.

BR20022				
Model No.	CCT	UP Optics	DOWN Optics	Finish
BR20022	F - 2700K 5 - 3000K 9 - 4000K	S - 10° M - 20° L - 40° W - 10°x45°	S - 10° M - 20° L - 40° W - 10°x45°	I - Stainless Steel C - Custom RAL (Consult factory for "C")

Job Name/Date:

Fixture Type Designation:

## SUGGESTED POWER SUPPLIES

500mA

Part Number	Description	Input/Output	# of Fixtures
<a href="#">PPLT00466-P</a>	0-10V Dimming to 1.0%	120-277VAC to 500mA, 10W, Class 2	1-2
<a href="#">PPLT00469</a>	Phase Dim (120V only)	120VAC to 500mA, 14W, Class 2	2-3
<a href="#">PPLT00262</a>	Leading / Trailing-Edge Dimming to 10% (120V only)	120-277VAC to 500mA, 32W, Class 2	4-7
<a href="#">PPLT00309-P</a>	0-10V Dimming to 0.1%	120-277VAC to 500mA, 50W, Class 2	1-8
<a href="#">PPLT00538-P</a>	0-10V Dimming to 0.1%	120-277VAC to 500mA, 100W, Class 2	1-24

## Suggested Lutron Compatible Drivers

500mA

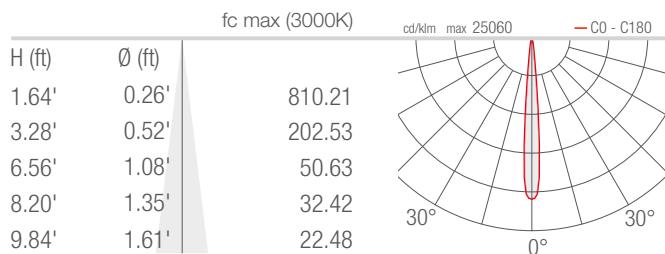
Part Number	Option	Lutron SKU	Dim Range	Description	Input/Output	# of Fixtures
<a href="#">PPLT00259</a>	L3DAE / L3DA3W	L3DA	100%-1%	Hi-Lume™ 1% EcoSystem™ or 1% 3-Wire LED Driver	120-277VAC, 10W	2-2
<a href="#">PPLT00195</a>	L3DAE / L3DA3W	L3DA	100%-1%	Hi-Lume™ 1% EcoSystem™ or 1% 3-Wire LED Driver	120-277VAC, 19W	3-4
<a href="#">PPLT00180</a>	L3DAE / L3DA3W	L3DA	100%-1%	Hi-Lume™ 1% EcoSystem™ or 1% 3-Wire LED Driver	120-277VAC, 27W	6-6

For other power supply options consult factory.

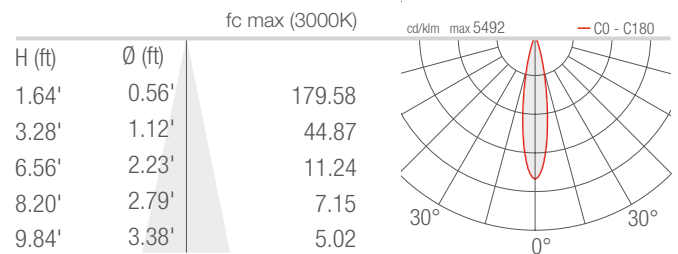
## PHOTOMETRIC DATA

Note all Photometry is 3000K, per beam

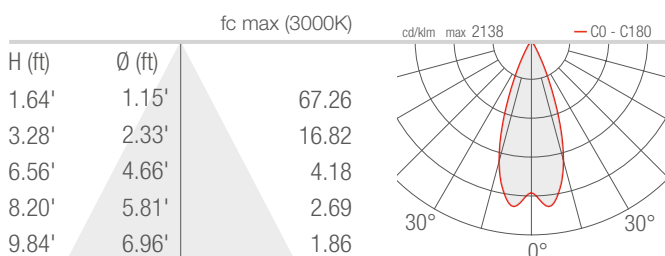
S - 10°



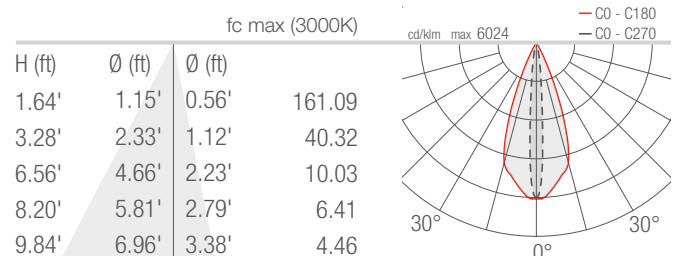
M - 20°



L - 40°



W - 10°x45°



Job Name/Date:

Fixture Type Designation: