

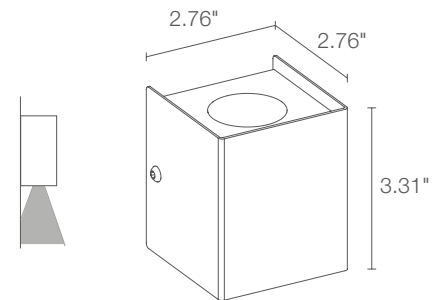
Brom is a line of outdoor wall-mounted luminaires offering a single or double beam and a stainless steel body. It comes in 4 different sizes, white light, and various up or down optics options.



TECHNICAL DATA

Wattage / Input	6W (500mA)
Power Supply	Remote, not included. See page 2.
Construction	Body/Trim: Stainless Steel 316L Lens: Tempered, Transparent Extra-Clear Glass
CCT	2700K, 3000K, 4000K
CRI	>80
Delivered Lumens	251 lm (3000K, 20°)
Efficacy	41.8 lm/W (3000K, 20°)
Optics	12°, 20°, 35°
Finishes	Stainless Steel, Custom RAL on request
Fixture Dimensions	2.76" l x 2.76" w x 3.31" h
Fixture Weight	0.99 lbs
LED Source	3 Power LEDs
Lumen Maintenance	L90, B10>50,000hrs (Ta 25°C)
Color Consistency	1/4 ANSI BIN
Operating Temp.	-4°F to 113°F
IP Rating	IP66
Impact Rating	IK08

Fixture Dimensions



ORDERING INFORMATION

Example: BR300325MI. Power supplies ordered separately.

BR30032			
Model No.	CCT	Optics	Finish
BR30032	F - 2700K 5 - 3000K 9 - 4000K	S - 12° M - 20° L - 35°	I - Stainless Steel C - Custom RAL (Consult factory for "C")

Job Name/Date:

Fixture Type Designation:

SUGGESTED POWER SUPPLIES

500mA

Part Number	Description	Input/Output	# of Fixtures
PPLT00466-P	0-10V Dimming to 1.0%	120-277VAC to 500mA, 10W, Class 2	1-1
PPLT00469	Phase Dim (120V only)	120VAC to 500mA, 14W, Class 2	2-2
PPLT00262	Leading / Trailing-Edge Dimming to 10% (120V only)	120-277VAC to 500mA, 32W, Class 2	3-4
PPLT00309-P	0-10V Dimming to 0.1%	120-277VAC to 500mA, 50W, Class 2	1-5
PPLT00538-P	0-10V Dimming to 0.1%	120-277VAC to 500mA, 100W, Class 2	1-16

Suggested Lutron Compatible Drivers

500mA

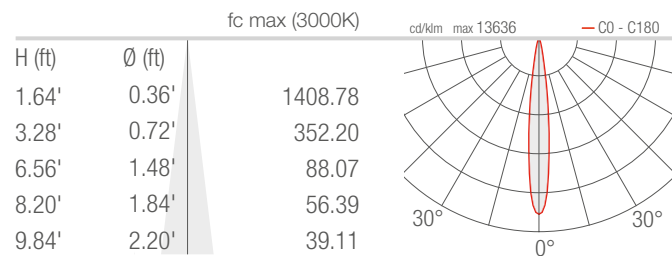
Part Number	Option	Lutron SKU	Dim Range	Description	Input/Output	# of Fixtures
PPLT00195	L3DAE / L3DA3W	L3DA	100%-1%	Hi-Lume™ 1% EcoSystem™ or 1% 3-Wire LED Driver	120-277VAC, 19W	2-3
PPLT00180	L3DAE / L3DA3W	L3DA	100%-1%	Hi-Lume™ 1% EcoSystem™ or 1% 3-Wire LED Driver	120-277VAC, 27W	4-4

For other power supply options consult factory.

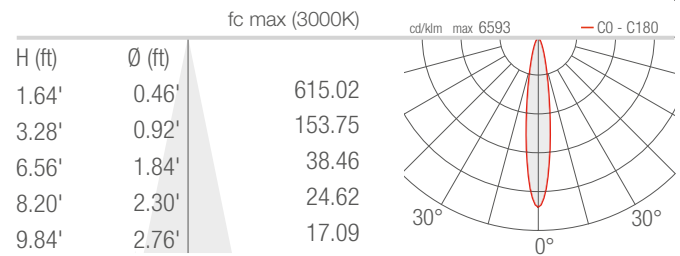
PHOTOMETRIC DATA

Note all Photometry is 3000K

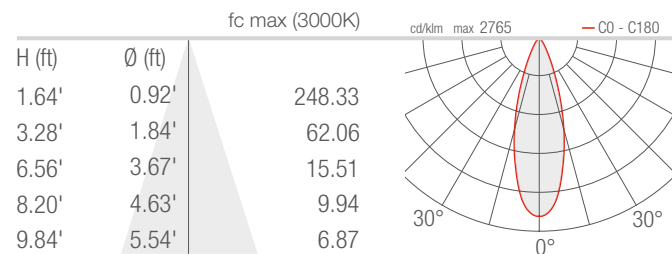
S - 12°



M - 20°



L - 35°



Job Name/Date:

Fixture Type Designation: