

Bull is an indoor, totally disappearing recessed fixture made of Coral®, with single, double or triple spotlights for indoor installation on ceilings. A rear, black-colored steel case allows the adjustable spotlights to be extracted from the recess in order to redirect beams in a more precise way. Bull is 360° orientable on the horizontal line and 90° on the vertical one.



BU1811 (Drawing A - see page 2)



BU1812 (Drawing B - see page 2)



BU1813 (Drawing C - see page 2)

Fixture Dimensions
See drawings on page 2

TECHNICAL DATA

Wattage / Input	26W per beam (700mA)
Power Supply	Remote, not included. See page 3.
Construction	Body: Coral® Case: Black Steel
CCT	3000K (2700K, 4000K on request)
CRI	>90
Delivered Lumens	2051 lm per beam (3000K)
Efficacy	78.9 lm/W (3000K)
Optics	360°
Finishes	Coral® Plaster and Black Steel
Fixture Dimensions	8.86" l x 8.86" w x 5.91" h (BU1811) 8.86" l x 23.23" w x 5.91" h (BU1812 / BU1813)
Cutout Dimensions	9.25" x 9.25" (BU1811) 9.25" x 23.62" (BU1812 / BU1813)
Aperature	6.10" x 6.10" (BU1811) 6.10" x 20.47" (BU1812 / BU1813)
Fixture Weight	9.92 lbs (BU1811) 15.43 lbs (BU1812) 22.05 lbs (BU1813)
IP Rating	IP40

ORDERING INFORMATION

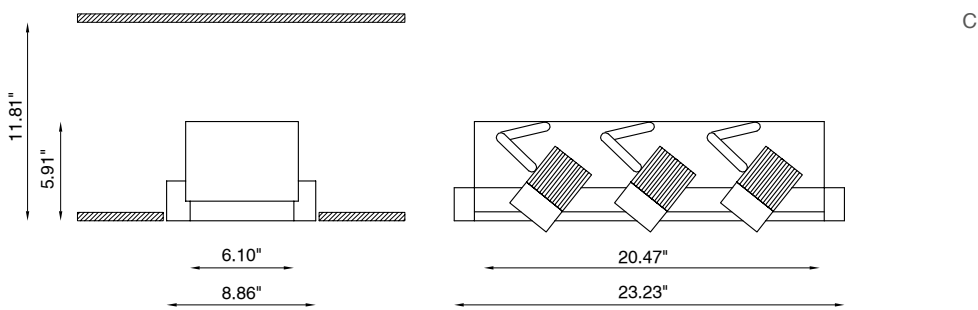
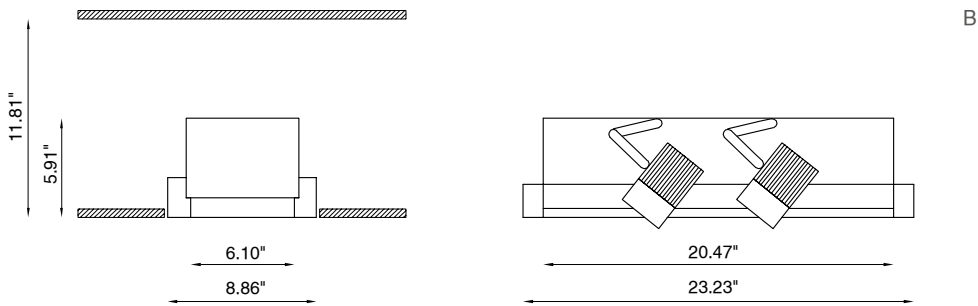
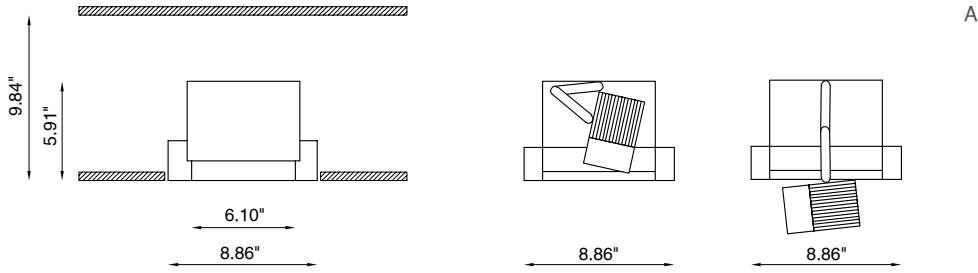
Example: BU1812.00.30.US. Power supplies ordered separately.

		.US
Model No.	CCT	
BU1811.00	30 - 3000K (standard)	
BU1812.00	27 - 2700K (on request)	
BU1813.00	40 - 4000K (on request)	

Job Name/Date:

Fixture Type Designation:

FIXTURE DIMENSIONS



Job Name/Date:

Fixture Type Designation:

SUGGESTED POWER SUPPLIES

700mA

Part Number	Description	Input/Output	Fixtures	
			1x (26W)	2x (52W)
PPLT00480-P	0-10V Dimming to 1.0%	120-277VAC to 700mA, 30W, Class 2, DAMP	1-1	need 2 drivers
PPLT00299-A	0-10V Dimming to 1.0%	120-277VAC to 700mA, 32W, Class 2, DAMP	1-1	need 2 drivers
PPLT00309-P	0-10V Dimming to 0.1%	120-277VAC to 700mA, 50W, Class 2, DAMP	1-1	need 2 drivers

Suggested Lutron Compatible Drivers

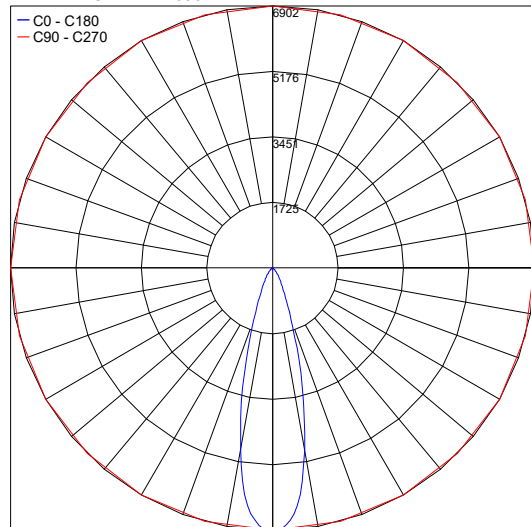
Part Number	Option	Lutron SKU	Dim Range	Description	Input/Output	# of Fixtures	
PPLT00181	L3DAE / L3DA3W	L3DA	100%-1%	Hi-Lume™ 1% EcoSystem™ or 1% 3-Wire LED Driver	120-277VAC, 38W	1-1	need 2 drivers

For other power supply options consult factory.

PHOTOMETRIC DATA

Note: All photometry is 3000K

Maximum Candela = 6901.7



PHOTOMETRIC FILENAME : BULL BU1811.00 26W 700MA.IES

Job Name/Date:

Fixture Type Designation: