

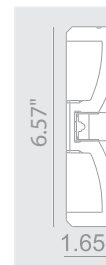
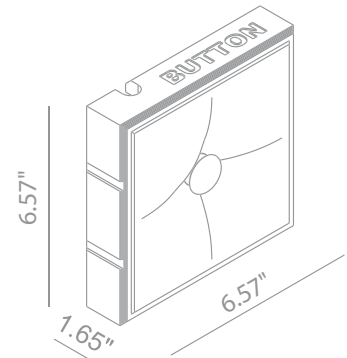
BUTTON 1 IP20

Button 1 IP20 is an indoor recessed wall mounted luminaire made of Calcyt® plaster with a faux tufted button appearance. It is available in 5 color temperatures and creates a 360° recessed light when on, and when off, the Button continues to surprise with its unique structure and shadow lines.



ADA Compliant

Ceiling Cut-Out: 6.77" x 6.77"
Fixture Dimensions



TECHNICAL DATA

Wattage / Input	1W, 2W (350mA)
Power Supply	Remote, not included. See page 2.
Construction	Body: Calcyt® plaster
CCT	2200K, 2700K, 3000K, 4000K, Royal Blue
CRI	>90 and >80
Optics	Fixed
Finishes	Paintable Plaster
Fixture Dimensions	6.57" l x 1.65" w x 6.57" h
Cut-out Dimension	6.89" x 6.89"
Color Consistency	3-Step MacAdam
IP Rating	IP20

ORDERING INFORMATION

Example: 148 60 000. Accessories / Power Supplies ordered separately.

--

Model No.	Description
148 60 500 - 2200K	1W, 100 lm, CRI 80, IP20
148 60 000 - 2700K	1W, 100 lm, CRI 90, IP20
148 60 100 - 3000K	1W, 100 lm, CRI 90, IP20
148 60 200 - 4000K	1W, 100 lm, CRI 90, IP20
148 60 300 - Royal Blue	1W, 100 lm
148 62 500 - 2200K	2W, 200 lm, CRI 80, IP20
148 62 000 - 2700K	2W, 200 lm, CRI 90, IP20
148 62 100 - 3000K	2W, 200 lm, CRI 90, IP20
148 62 200 - 4000K	2W, 200 lm, CRI 90, IP20
148 62 300 - Royal Blue	2W, 200 lm

Job Name/Date:

Fixture Type Designation:

SUGGESTED POWER SUPPLIES

350mA

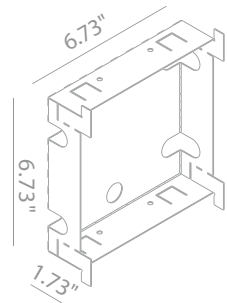
Part Number	Description	Input/Output	# of Fixtures	
			1W	2W
PPLT00139	0-10V Dimming to 10%	120-277VAC to 350mA, 12W, Class 2	7-10	4-5
PPLT00468	Phase Dim (120V only)	120VAC to 350mA, 14W, Class 2	4-12	3-5
PPLT00465-P	0-10V Dimming to 1.0%	120-277VAC to 350mA, 20W, Class 2, DAMP	1-16	1-8
PPLT00263	Leading / Trailing Edge Dimming to 10% (120V only)	120-277VAC to 350mA, 32W, Class 2	8-14	5-6
PPLT00309-P	0-10V Dimming to 0.1%	120-277VAC to 350mA, 50W, Class 2, DAMP	1-50	1-8
PPLT00538-P	0-10V Dimming to 0.1% (4 channels)	120-277VAC to 350mA, 100W, Class 2	1-17 (1-68)	1-8 (1-32)

Suggested Lutron Compatible

Part Number	Option	Lutron SKU	Dim Range	Description	Input/Output	# of Fixtures	
						1W	2W
PPLT00247	L3DAE / L3DA3W	L3DA	100%-1%	Hi-Lume™ 1% EcoSystem™ or 1% 3-Wire LED Driver	120-277VAC to 350mA, 7W, Class 2	4-5	2-2
PPLT00516	L3DAE / L3DA3W	L3DA	100%-1%	Hi-Lume™ 1% EcoSystem™ or 1% 3-Wire LED Driver	120-277VAC to 350mA, 13W, Class 2	6-11	4-5
PPLT00179	L3DAE / L3DA3W	L3DA	100%-1%	Hi-Lume™ 1% EcoSystem™ or 1% 3-Wire LED Driver	120-277VAC to 350mA, 19W, Class 2	12-16	7-8

For other power supply options consult factory.

REQUIRED ACCESSORIES - Installation



748 01 000
Outer Casing
(Housing: Perforated Aluminum)

Job Name/Date:

Fixture Type Designation: