

BUTTON 2x2 IP20

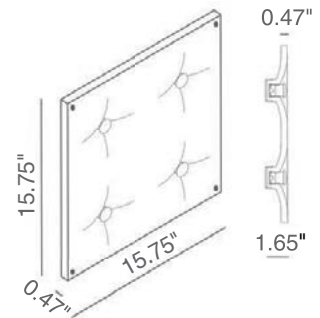
Button 2 x 2 IP20 is an indoor recessed wall mounted panel made of Calcyt® plaster with a faux tufted button appearance. It has 4 luminaires, each creating a 360° recessed light when on, and when off, the Button continues to surprise with its unique structure and shadow lines. It is available in 5 color temperatures.



TECHNICAL DATA

Wattage / Input	4x1W (350mA)
Power Supply	Remote, not included. See page 2.
Construction	Body: CALCYT® plaster
CCT	2200K, 2700K, 3000K, 4000K, Royal Blue
CRI	>90 and >80
Optics	Fixed
Finishes	Paintable Plaster
Fixture Dimensions	15.75" l x 0.47" w x 15.75" h
Cut-out Dimension	15.91" x 15.91"
Color Consistency	3-Step MacAdam
IP Rating	IP20

Ceiling Cut-Out: 15.91" x 15.91"
Fixture Dimensions



Button 2x2 : ready to fix to metal or wood studs.
No plasterkit required

ORDERING INFORMATION

Example: 160 60 100. Accessories / Power Supplies ordered separately.

--

Model No.	Description
160 60 500 - 2200K	4x1W, CRI 80, IP20, Recessed Mount
160 60 000 - 2700K	4x1W, CRI 90, IP20, Recessed Mount
160 60 100 - 3000K	4x1W, CRI 90, IP20, Recessed Mount
160 60 200 - 4000K	4x1W, CRI 90, IP20, Recessed Mount
160 60 300 - Royal Blue	4x1W, IP20, Recessed Mount

Job Name/Date:

Fixture Type Designation:

SUGGESTED POWER SUPPLIES

350mA

Part Number	Description	Input/Output	# of Fixtures
PPLT00139	0-10V Dimming to 10%	120-277VAC to 350mA, 12W, Class 2	2-2
PPLT00468	Phase Dim (120V only)	120VAC to 350mA, 14W, Class 2	2-2
PPLT00465-P	0-10V Dimming to 1.0%	120-277VAC to 350mA, 20W, Class 2	1-3
PPLT00263	Leading / Trailing Edge Dimming to 10% (120V only)	120-277VAC to 350mA, 32W, Class 2	3-3
PPLT00309-P	0-10V Dimming to 0.1%	120-277VAC to 350mA, 50W, Class 2	1-3
PPLT00538-P	0-10V Dimming to 0.1% (4 channels)	120-277VAC to 350mA, 100W, Class 2	1-4 (1-16)

Suggested Lutron Compatible

Part Number	Option	Lutron SKU	Dim Range	Description	Input/Output	# of Fixtures
PPLT00247	L3DAE / L3DA3W	L3DA	100%-1%	Hi-Lume™ 1% EcoSystem™ or 1% 3-Wire LED Driver	120-277VAC to 350mA, 7W, Class 2	1-1
PPLT00516	L3DAE / L3DA3W	L3DA	100%-1%	Hi-Lume™ 1% EcoSystem™ or 1% 3-Wire LED Driver	120-277VAC to 350mA, 13W, Class 2	2-2

For other power supply options consult factory.

Job Name/Date:

Fixture Type Designation: