

# BUTTON 2x2 SURFACE IP20

Button 2x2 Surface IP20 is an indoor surface mounted panel made of Calcyt® plaster with a faux tufted button appearance. It has 4 luminaires, each creating a 360° recessed light when on, and when off, the Button continues to surprise with its unique structure and shadow lines. It is available in 5 color temperatures.

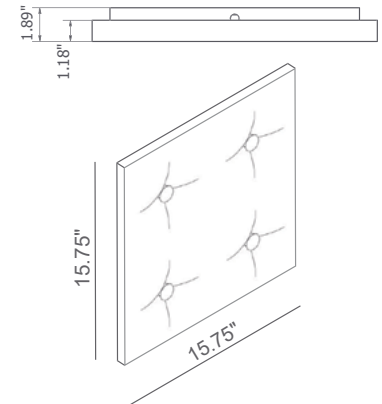


ADA Compliant

## TECHNICAL DATA

<b>Wattage / Input</b>	4x1W (350mA)
<b>Power Supply</b>	Remote, not included. See page 2.
<b>Construction</b>	Body: CALCYT® plaster
<b>CCT</b>	2200K, 2700K, 3000K, 4000K, Royal Blue
<b>CRI</b>	>90 and >80
<b>Optics</b>	Fixed
<b>Finishes</b>	Paintable Plaster
<b>Fixture Dimensions</b>	15.75" l x 1.89" w x 15.75" h
<b>Color Consistency</b>	3-Step MacAdam
<b>IP Rating</b>	IP20

Fixture Dimensions



## ORDERING INFORMATION

Example: 161 60 500. Accessories / Power Supplies ordered separately.

Model No.	Description
161 60 500 - 2200K	4x1W, CRI 80, IP20, Remote Driver (see p. 2)
161 60 000 - 2700K	4x1W, CRI 90, IP20, Remote Driver (see p. 2)
161 60 100 - 3000K	4x1W, CRI 90, IP20, Remote Driver (see p. 2)
161 60 200 - 4000K	4x1W, CRI 90, IP20, Remote Driver (see p. 2)
161 60 300 - Royal Blue	4x1W, IP20, Remote Driver (see p. 2)

Job Name/Date:

Fixture Type Designation:

# BUTTON 2x2 SURFACE IP20

## SUGGESTED POWER SUPPLIES

350mA

Part Number	Description	Input/Output	# of Fixtures
<a href="#">PPLT00139</a>	0-10V Dimming to 10%	120-277VAC to 350mA, 12W, Class 2	2-2
<a href="#">PPLT00468</a>	Phase Dim (120V only)	120VAC to 350mA, 14W, Class 2	2-2
<a href="#">PPLT00465-P</a>	0-10V Dimming to 1.0%	120-277VAC to 350mA, 20W, Class 2	1-3
<a href="#">PPLT00263</a>	Leading / Trailing Edge Dimming to 10% (120V only)	120-277VAC to 350mA, 32W, Class 2	3-3
<a href="#">PPLT00309-P</a>	0-10V Dimming to 0.1%	120-277VAC to 350mA, 50W, Class 2	1-3
<a href="#">PPLT00538-P</a>	0-10V Dimming to 0.1% (4 channels)	120-277VAC to 350mA, 100W, Class 2	1-4 (1-16)

## Suggested Lutron Compatible

Part Number	Option	Lutron SKU	Dim Range	Description	Input/Output	# of Fixtures
<a href="#">PPLT00247</a>	L3DAE / L3DA3W	L3DA	100%-1%	Hi-Lume™ 1% EcoSystem™ or 1% 3-Wire LED Driver	120-277VAC to 350mA, 7W, Class 2	4-5
<a href="#">PPLT00516</a>	L3DAE / L3DA3W	L3DA	100%-1%	Hi-Lume™ 1% EcoSystem™ or 1% 3-Wire LED Driver	120-277VAC to 350mA, 13W, Class 2	6-11
<a href="#">PPLT00179</a>	L3DAE / L3DA3W	L3DA	100%-1%	Hi-Lume™ 1% EcoSystem™ or 1% 3-Wire LED Driver	120-277VAC to 350mA, 19W, Class 2	12-16

For other power supply options consult factory.

Job Name/Date:

Fixture Type Designation: