

C1-MINI-LC-VL

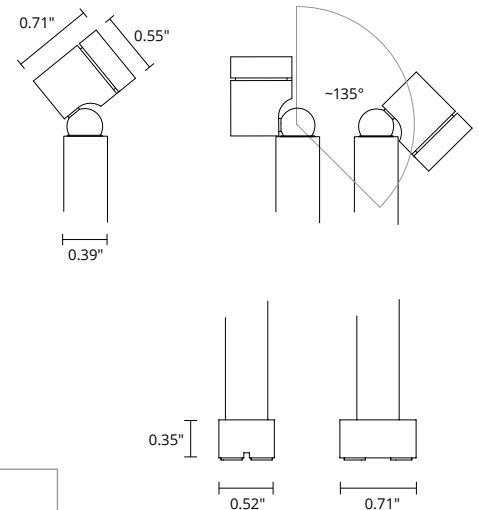
C1-mini-LC-VL is an LED spotlight for installation on magnetic track, suitable for showcase lighting in museum and retail settings. It is 360° rotatable, 135° swivelling, has attachment with mounting flange and is available with a variety of optics, 5 color temperatures and 3 standard finishes.



TECHNICAL DATA

Wattage / Input	1W (12VDC)
Power Supply	Remote - See Magnetic Track Sheet
Dimming	Individual Dimming Not Available. See page 3 for Remote Dimming Drivers.
Construction	Body: Anodized Aluminum
CCT	2700K, 3000K, 3500K, 4000K, 5700K
CRI	>90
Delivered Lumens	60 lm (3000K, 30°)
Efficacy	60 lm/W (3000K, 30°)
Optics	8 Standard, See Below
Finishes	3 Standard, See Below
Fixture Dimensions	Ø0.55" x 0.71" (head) Ø0.39" (stem width) 7.87" (standard pole height)
Lumen Maintenance	L80,B10 >50,000hrs
IP Rating	IP20

Fixture Dimensions



NOTE: Track to be ordered separately

ORDERING INFORMATION

Example: C1-MINI-LC-VL-10-40-18-G. Accessories / Power Supplies ordered separately.

C1-MINI-LC-VL	-	10	-		-		-	
---------------	---	----	---	--	---	--	---	--

Model No.	Wattage	CCT	Optics	Finish
C1-MINI-LC-VL	10 - 1W	27 - 2700K	15 - 15°	B - Anodized Black S - Silver G - Gold C - Custom RAL <i>(consult factory for "C")</i>
		30 - 3000K	18 - 18°	
		35 - 3500K	26 - 26°	
		40 - 4000K	30 - 30°	
		57 - 5700K	45 - 45°	
			80 - 80°	
			47 - 47°+25°	
			40 - 40°+10°	

Job Name/Date:

Fixture Type Designation:

ACCESSORIES - OPTIONAL



Honeycomb Grid

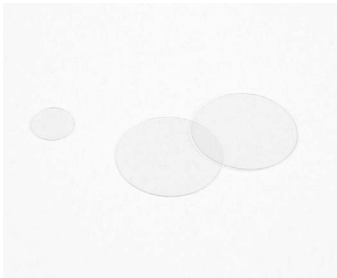


Anti-Glare Tube

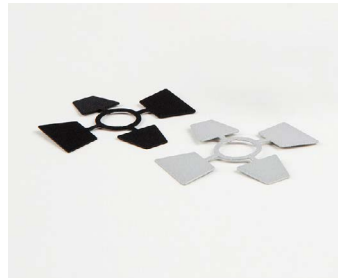


Inclined Tube

See separate sheet for Magnetic Track. Consult factory for Remote Power Supply for Magnetic Track.



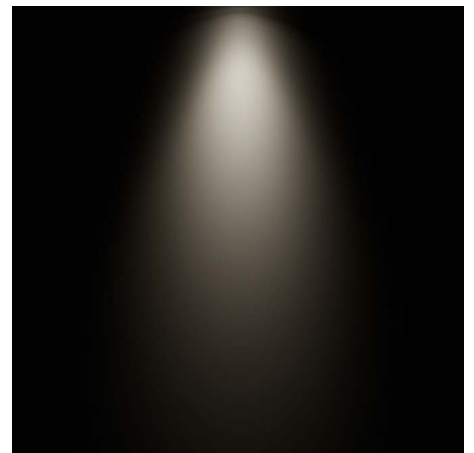
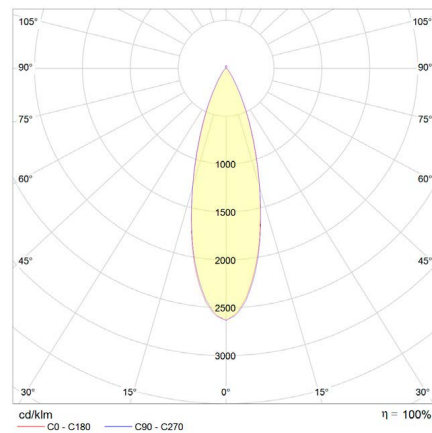
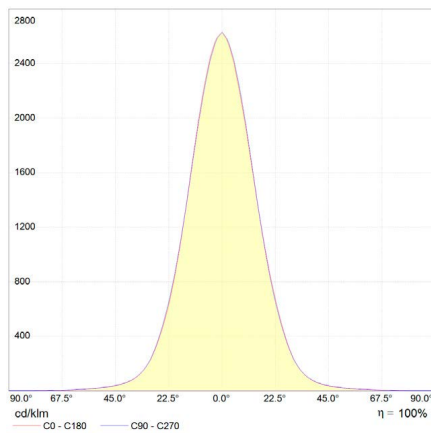
Light Diffusion Foil



Barn Door

PHOTOMETRIC DATA

for light color ~3,000K | standard lens 30° | color rendering index typ. 97, R9 > 90, R12 > 90 | color variation ≤ 3 SDCM



Job Name/Date:

Fixture Type Designation: