



## LED spotlight C1-S

**description:**

LED spotlight for installation in display cases,  
360° rotatable, 180° swiveling,  
with screw base or magnetic base

**housing color:**

aluminum anodized black, silver, gold  
(other surface finishing on request)

**optics:**

10°, 15°, 20°, 35°, 45°, 80°, 46°+ 10°

**light color (+/- 100K):**

2700K, 3000K, 3500K, 4000K, 5700K

**high power LED, high CRI** DIN EN 55015:2013,  
lifetime 50,000 hours | basis of lifetime L80B10

**max. luminous flux (3000K | standard lens 20°):**

150 lm at 2.1W (71 lm/W)

**power input:** constant current up to max. 700 mA

**remote driver required:**

see datasheet

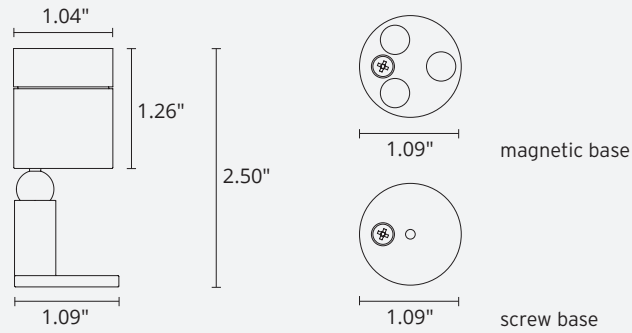
**dimming:** see drivers

**protection class:** IP20

**optional accessory:**

honeycomb grid, anti-glare tube, inclined tube,  
light diffusion foil, barn door,  
zoom optic (2° - 25°, 6° - 36°)

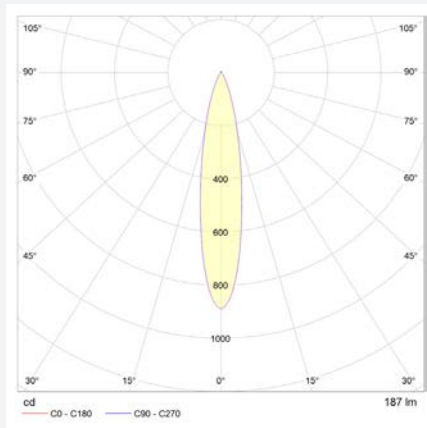
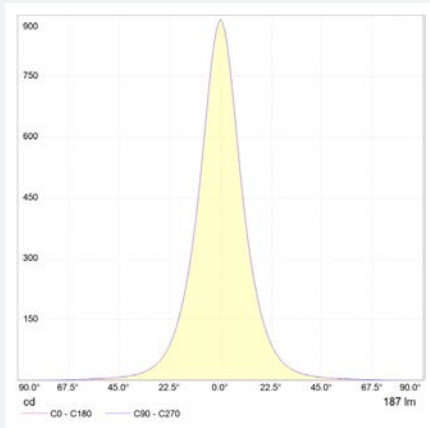
## dimensions



specification in inches

## photometry

for light color 3000K | standard lens 20° | color rendering index typ. 97, R9 > 90, R12 > 90 | color variation ≤ 3 SDCM



technical changes reserved | May 2021