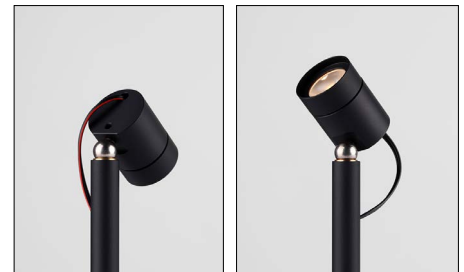


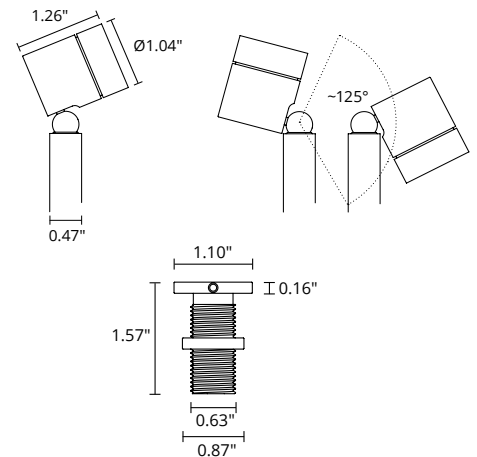
C1-VL is an LED spotlight for installation in display cases, suitable for showcase lighting in museum and retail settings. It is 180° rotatable, 125° swivelling, with mounting flange attachment (standard height 12”), and available with a variety of optics, 5 color temperatures and 3 standard finishes.



## TECHNICAL DATA

<b>Wattage / Input</b>	2.1W (500mA)
<b>Power Supply</b>	Remote, not included - See page 3
<b>Dimming</b>	Dimming by Remote Driver - See page 3 <i>(Not Suitable for Dimming Pen)</i>
<b>Construction</b>	Body: Anodized Aluminum
<b>CCT</b>	2700K, 3000K, 3500K, 4000K, 5700K
<b>CRI</b>	>97
<b>Delivered Lumens</b>	150 lm (3000K, 20°)
<b>Efficacy</b>	71 lm/W (3000K, 20°)
<b>Optics</b>	6 Standard, See Below
<b>Finishes</b>	3 Standard, See Below
<b>Fixture Dimensions</b>	Ø1.04” x 1.26” (head) Ø0.47” (pole base) Pole height - 12.0” standard (up to 31.5” on request)
<b>Lumen Maintenance</b>	L80,B10 >50,000hrs
<b>IP Rating</b>	IP20

### Fixture Dimensions



## ORDERING INFORMATION

Example: C1-VL-21-40-35-G. Accessories / Power Supplies ordered separately.

C1-VL	-	21	-		-		-	
Model No.	Wattage	CCT	Optics	Finish	Mounting Flange			
C1-VL	21 - 2.1W	27 - 2700K 30 - 3000K 35 - 3500K 40 - 4000K 57 - 5700K	10 - 10° 15 - 15° 20 - 20° 35 - 35° 45 - 45° 46 - 46°+10°	B - Anodized Black S - Silver G - Gold C - Custom RAL <i>(consult factory for "C")</i>	12" Standard Up to 31.5" on request			

Job Name/Date:

Fixture Type Designation:

## ACCESSORIES



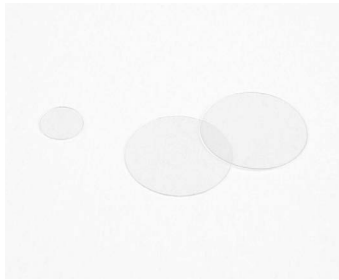
Honeycomb Grid



Anti-Glare Tube



Inclined Tube



Light Diffusion Foil



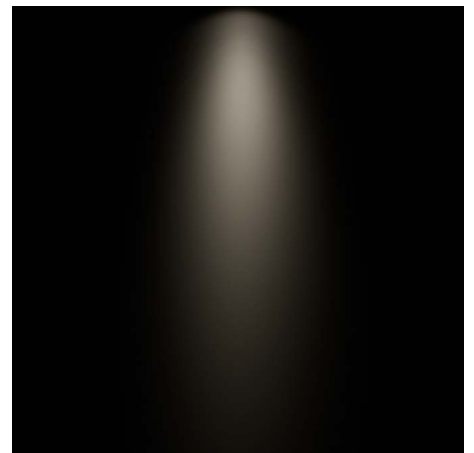
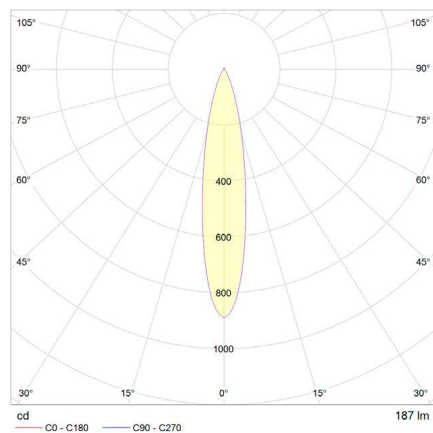
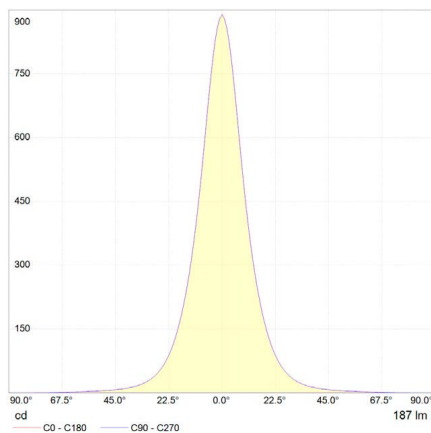
Barn Door



Zoom Optic (2° - 25°, 6° - 36°)

## PHOTOMETRIC DATA

for light color ~3,000 K | standard lens 20° | color rendering index typ. 97, R9 > 90, R12 > 90 | color variation ≤ 3 SDCM



Job Name/Date:

Fixture Type Designation:

## SUGGESTED POWER SUPPLIES

500mA

Part Number	Description	Input/Output	# of Fixtures
<a href="#">PPLT00497</a>	Phase Dim (120V only)	120VAC to 500mA, 12W, Class 2, DAMP	2-5
<a href="#">PPLT00262</a>	Leading / Trailing Edge Dimming to 10% (120V only)	120-277VAC to 500mA, 32W, Class 2	8-14
<a href="#">PPLT00309-P</a>	0-10V Dimming to 0.1%	120-277VAC to 500mA, 50W, Class 2, DAMP	1-16
<a href="#">PPLT00538-P</a>	0-10V Dimming to 0.1% (4 channels)	120-277VAC to 500mA, 100W, Class 2, DAMP	1-11 (1-44)

### Suggested Lutron Compatible

Part Number	Option	Lutron SKU	Dim Range	Description	Input/Output	# of Fixtures
<a href="#">PPLT00259</a>	L3DAE / L3DA3W	L3DA	100%-1%	Hi-Lume™ 1% EcoSystem™ or 1% 3-Wire LED Driver	120-277VAC to 500mA, 10W, Class 2	4-4
<a href="#">PPLT00195</a>	L3DAE / L3DA3W	L3DA	100%-1%	Hi-Lume™ 1% EcoSystem™ or 1% 3-Wire LED Driver	120-277VAC to 500mA, 19W, Class 2	6-9
<a href="#">PPLT00676</a>	PEQ0E	PEQ0	100%-1%	Hi-Lume™ Premier 0.1% Ecosystem™ (0.1% DIM) LED Driver	120-277VAC to 500mA, 20W, Class 2	4-9
<a href="#">PPLT00180</a>	L3DAE / L3DA3W	L3DA	100%-1%	Hi-Lume™ 1% EcoSystem™ or 1% 3-Wire LED Driver	120-277VAC to 500mA, 27W, Class 2	12-12

For other power supply options consult factory.

Job Name/Date:

Fixture Type Designation: