

The Centaur C1X is a 1" diameter ingrade upright made of stainless steel that is suitable for power washing and is driveover rated up to 11,000 lbs.

TECHNICAL DATA

Wattage / Input	1W (24VDC)
Power Supply	Remote, not included. See page 2.
Construction	Body and Trim: Stainless Steel 304 Alloy Jbox: Cast Stainless Steel Lens: 0.4" Clear, Frosted or Internally Ceramic Coated Tempered Glass Lens Frame: Threaded Bottlecap
CCT	3000K, 5000K
CRI	CRI>80
Delivered Lumens	44 lm (3000K, 24VDC)
Efficacy	44 lm/W
Optics	0°, 6°, 25°
Finishes	Stainless Steel 304 Alloy
Fixture Dimensions	Ø1.0" x 4.0" h
LED Source	1 Cree XPE LED
IP Rating	IP68, IP69
Driveover Rated	11,000 lbs



Fixture Dimensions
Ø1.0" x 4.0" h
See Full Drawing on page 2

ORDERING INFORMATION

Example: C1X-L-150-4-SS-1-X-T-00. Power Supplies ordered separately.

C1X-L	-		-	4	-	SS	-		-	X	-		-	00
-------	---	--	---	---	---	----	---	--	---	---	---	--	---	----

Model #	Wattage/CCT	Body	Finish	Optics	Driver	Lens	Options
C1X-L	130 -1W, 3000K 150 -1W, 5000K	4 - Recessed box with conduit entries	SS - Stainless Steel	1 - 6° 2 - 25° 0 - None	X - Remote See p.2 to specify Note: 0-10V on board dimming included	T - Clear Tempered K - Internally Ceramic Coated G - Frosted Tempered Glass	00 - None
				<p>Note: Optic options 1 and 2 can only be used with "T" lens. Optic 0 (None) can only be used with 'K' or 'G' lens.</p>		<p>Note: Optic options 1 and 2 can only be used with "T" lens. Optic 0 (None) can only be used with 'K' or 'G' lens.</p>	

Job Name/Date:

Fixture Type Designation:

SUGGESTED POWER SUPPLIES

24VDC

Part Number	Description	Input/Output	# of Fixtures
PPLT00128	Non-Dim	120VAC to 24VDC, 6W, Class 2, IP65	1-4
PPLT00056	Non-Dim	120-277VAC to 24VDC, 26W, Class 2, IP66	1-20
PPLT00155	Non-Dim	120VAC to 24VDC, 30W, Class 2	1-24
PPLT00586	Non-Dim	120-277VAC to 24VDC, 40W, Class 2	1-32
PPLT00158	Non-Dim	120VAC to 24VDC, 100W, Class 2	1-80

Suggested Lutron Compatible

Part Number	Option	Lutron SKU	Dim Range	Description	Input/Output	# of Fixtures
PPLT00273	L3DAE / L3DA3W	L3DA	100%-1%	Hi-Lume™ 1% EcoSystem™ or 1% 3-Wire LED Driver	120-277VAC to 24VDC, 40W, Class 2	1-32
PPLT00530	L3D0	L3D0	100%-0.1%	Hi-Lume™ Premier 0.1% or Ecosystem 3-Wire LED Driver	120-277VAC to 24VDC , 96W, Class 2	1-76

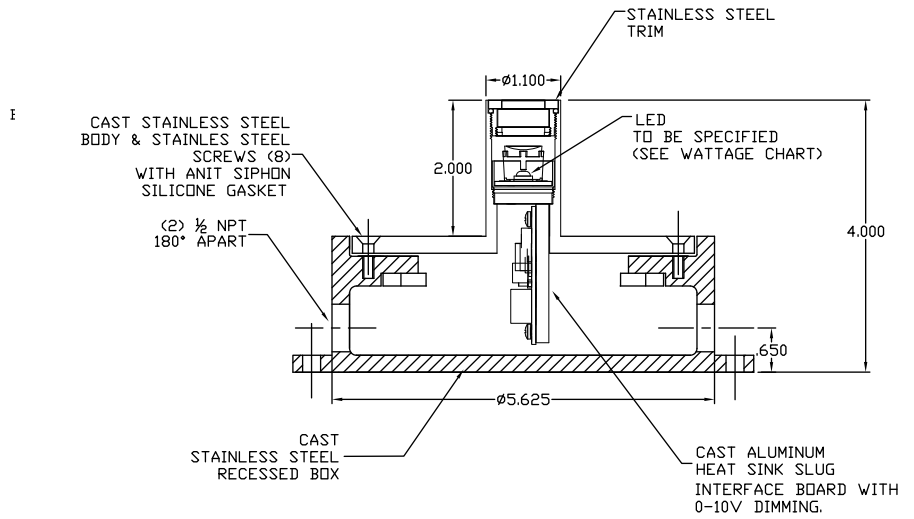
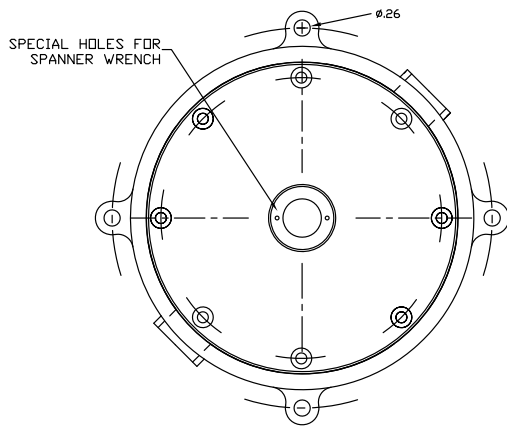
For other power supply options consult factory.

NOTE: 0-10V DIMMING INTERFACE INCLUDED - to be wired separately

Job Name/Date:

Fixture Type Designation:

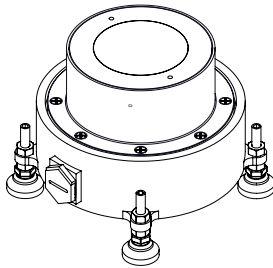
FIXTURE DIMENSIONS



ACCESSORIES - Installation



LL301 - Optional
Leveling Pad
Set of 4



Job Name/Date:

Fixture Type Designation: