

The Centaur C1X is a 1" diameter ingrade upright made of stainless steel that is suitable for power washing and is driveover rated up to 11,000 lbs.

## TECHNICAL DATA

|                           |   |
|---------------------------|---|
| <b>Wattage / Input</b>    | 1W (24VDC)  |
| <b>Power Supply</b>       | Remote, not included. See page 2.   |
| <b>Construction</b>       | Body and Trim: Stainless Steel 304 Alloy<br>Jbox: Cast Stainless Steel<br>Lens: 0.4" Clear, Frosted or Internally Ceramic Coated Tempered Glass<br>Lens Frame: Threaded Bottlecap |
| <b>CCT</b>                | 3000K, 5000K  |
| <b>CRI</b>                | CRI>80  |
| <b>Delivered Lumens</b>   | 44 lm (3000K, 24VDC)  |
| <b>Efficacy</b>           | 44 lm/W   |
| <b>Optics</b>             | 0°, 6°, 25°   |
| <b>Finishes</b>           | Stainless Steel 304 Alloy   |
| <b>Fixture Dimensions</b> | Ø1.0" x 4.0" h  |
| <b>LED Source</b>         | 1 Cree XPE LED  |
| <b>IP Rating</b>          | IP68, IP69  |
| <b>Driveover Rated</b>    | 11,000 lbs  |



Fixture Dimensions  
Ø1.0" x 4.0" h  
See Full Drawing on page 2

## ORDERING INFORMATION

*Example: C1X-L-150-4-SS-1-X-T-00. Power Supplies ordered separately.*

|       |   |  |   |   |   |    |   |  |   |   |   |  |   |    |
|-------|---|--|---|---|---|----|---|--|---|---|---|--|---|----|
| C1X-L | - |  | - | 4 | - | SS | - |  | - | X | - |  | - | 00 |
|-------|---|--|---|---|---|----|---|--|---|---|---|--|---|----|

| Model # | Wattage/CCT                      | Body                                  | Finish               | Optics  | Driver  | Lens  | Options   |
|---------|----------------------------------|---------------------------------------|----------------------|---|---|---|-----------|
| C1X-L   | 130 -1W, 3000K<br>150 -1W, 5000K | 4 - Recessed box with conduit entries | SS - Stainless Steel | 1 - 6°<br>2 - 25°<br>0 - None   | X - Remote<br><br>See p.2 to specify<br><br>Note: 0-10V on board dimming included | T - Clear Tempered<br>K - Internally Ceramic Coated<br>G - Frosted Tempered Glass   | 00 - None |
|         |                                  |                                       |                      | <p><b>Note:</b> Optic options 1 and 2 can only be used with "T" lens. Optic 0 (None) can only be used with 'K' or 'G' lens.</p> |   | <p><b>Note:</b> Optic options 1 and 2 can only be used with "T" lens. Optic 0 (None) can only be used with 'K' or 'G' lens.</p> |           |

Job Name/Date:

Fixture Type Designation:

## SUGGESTED POWER SUPPLIES

24VDC

| Part Number               | Description | Input/Output                       | # of Fixtures |
|---------------------------|-------------|------------------------------------|---------------|
| <a href="#">PPLT00128</a> | Non-Dim     | 120VAC to 24VDC, 6W, Class 2, IP65 | 1-4           |
| <a href="#">PPLT00155</a> | Non-Dim     | 120VAC to 24VDC, 30W, Class 2      | 1-24          |
| <a href="#">PPLT00586</a> | Non-Dim     | 120-277VAC to 24VDC, 40W, Class 2  | 1-32          |
| <a href="#">PPLT00158</a> | Non-Dim     | 120VAC to 24VDC, 100W, Class 2     | 1-80          |

## Suggested Lutron Compatible

| Part Number               | Option         | Lutron SKU | Dim Range | Description  | Input/Output                       | # of Fixtures |
|---------------------------|----------------|------------|-----------|--|------------------------------------|---------------|
| <a href="#">PPLT00273</a> | L3DAE / L3DA3W | L3DA       | 100%-1%   | Hi-Lume™ 1% EcoSystem™ or 1% 3-Wire LED Driver       | 120-277VAC to 24VDC, 40W, Class 2  | 1-32          |
| <a href="#">PPLT00530</a> | L3D0           | L3D0       | 100%-0.1% | Hi-Lume™ Premier 0.1% or Ecosystem 3-Wire LED Driver | 120-277VAC to 24VDC , 96W, Class 2 | 1-76          |

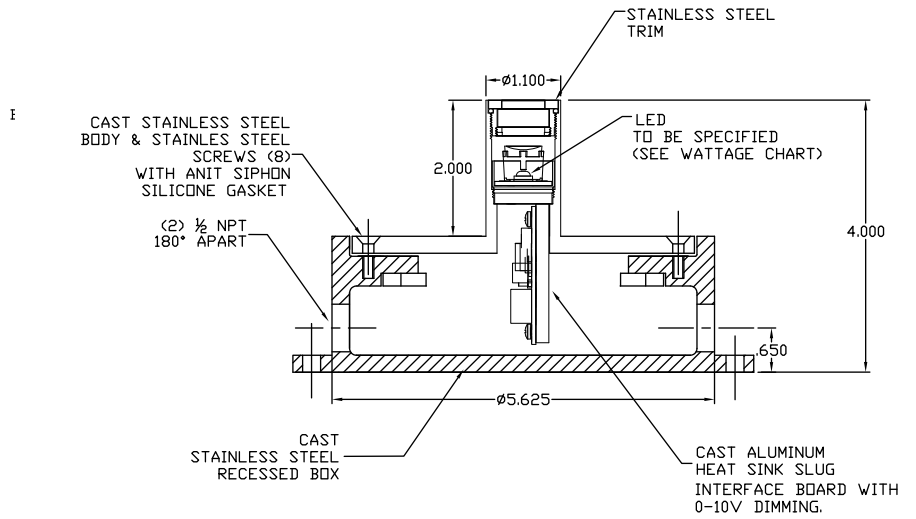
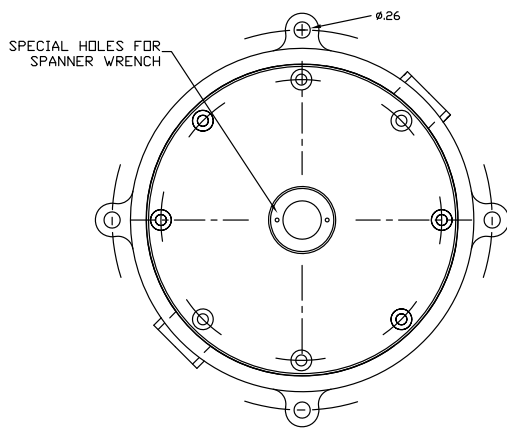
For other power supply options consult factory.

**NOTE: 0-10V DIMMING INTERFACE INCLUDED - to be wired separately**

Job Name/Date:

Fixture Type Designation:

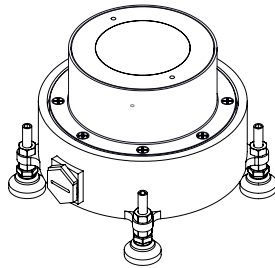
## FIXTURE DIMENSIONS



## ACCESSORIES - Installation



**LL301** - Optional  
Leveling Pad  
Set of 4



Job Name/Date:

Fixture Type Designation: